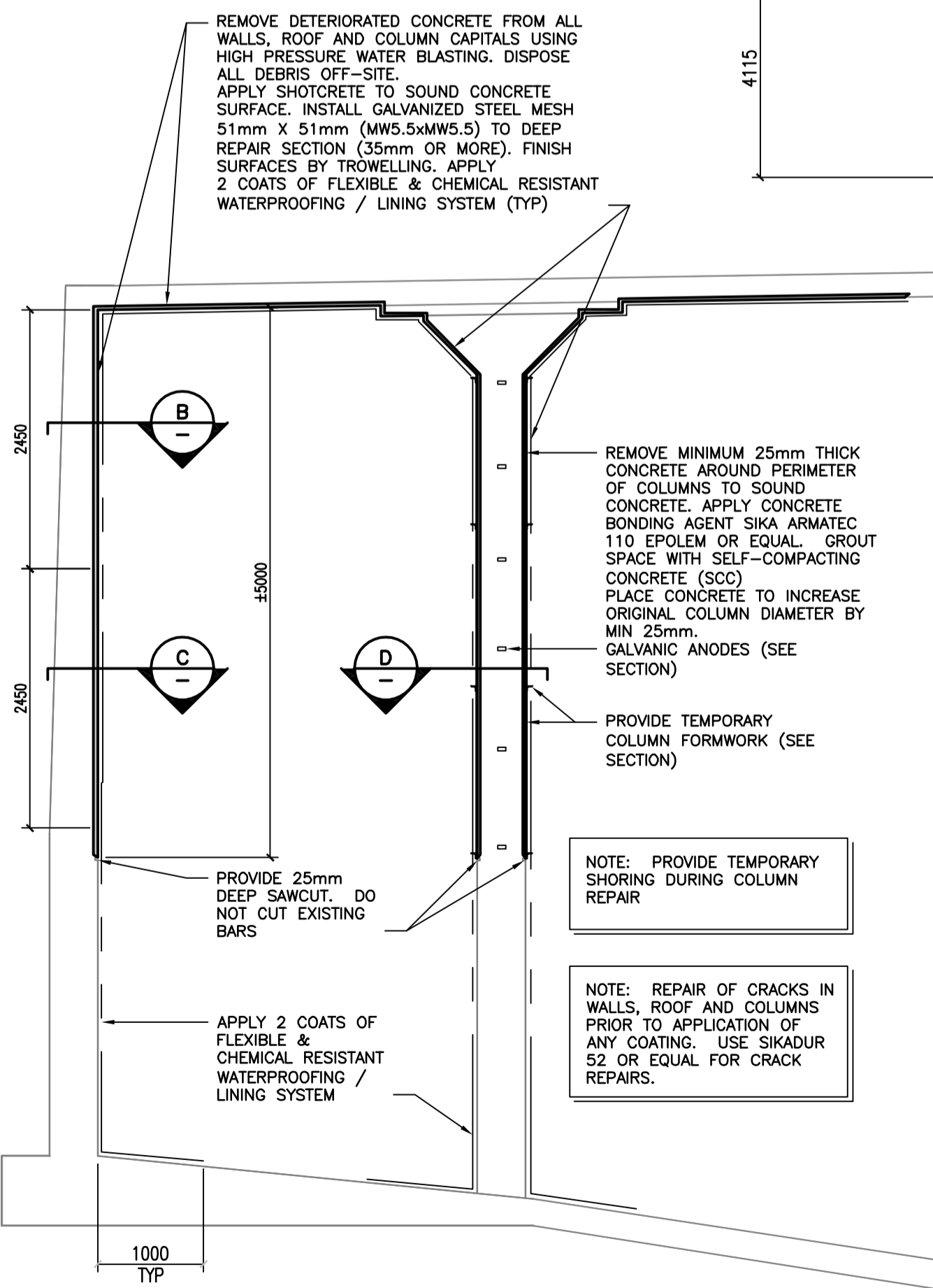
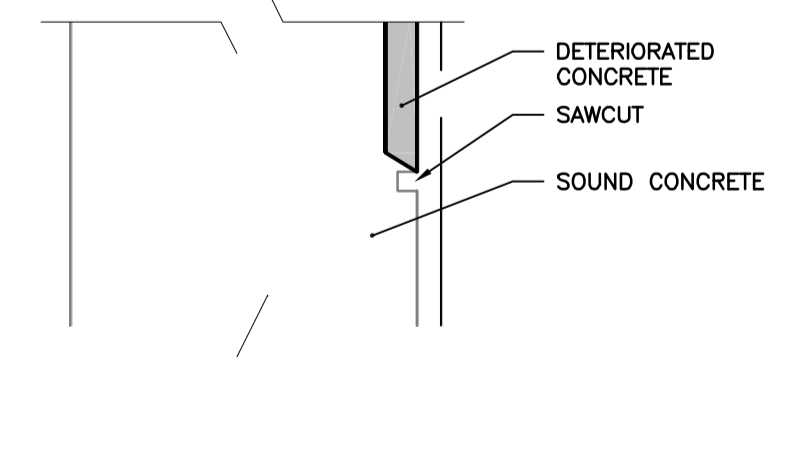
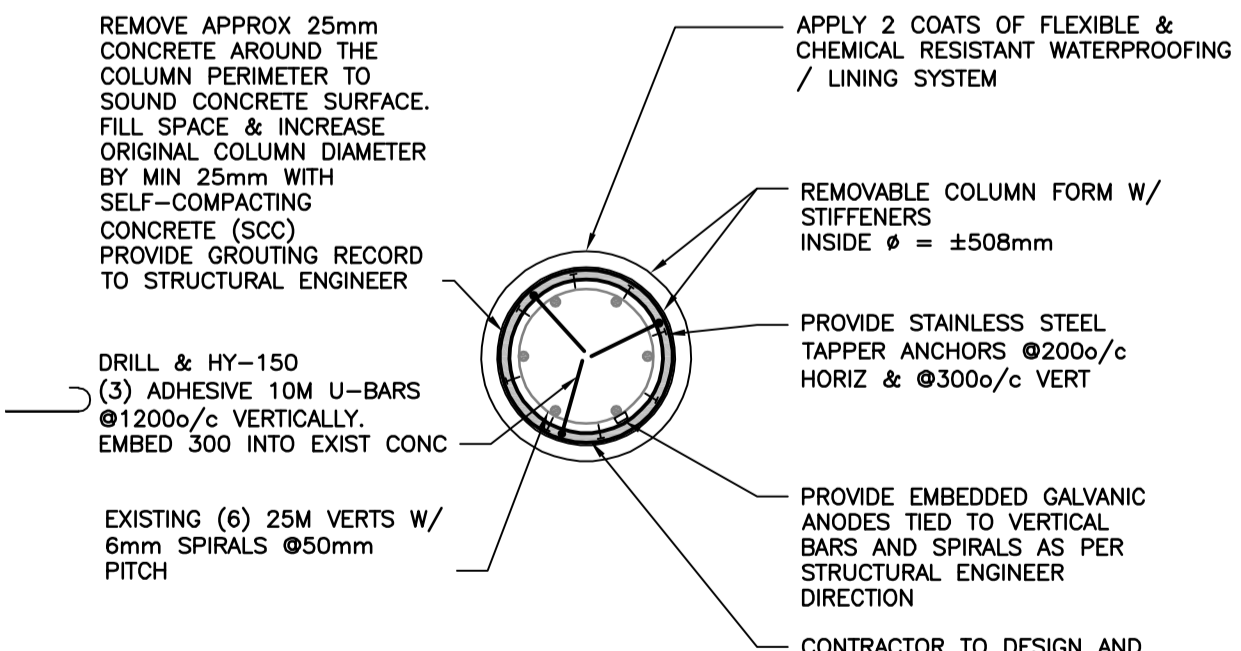
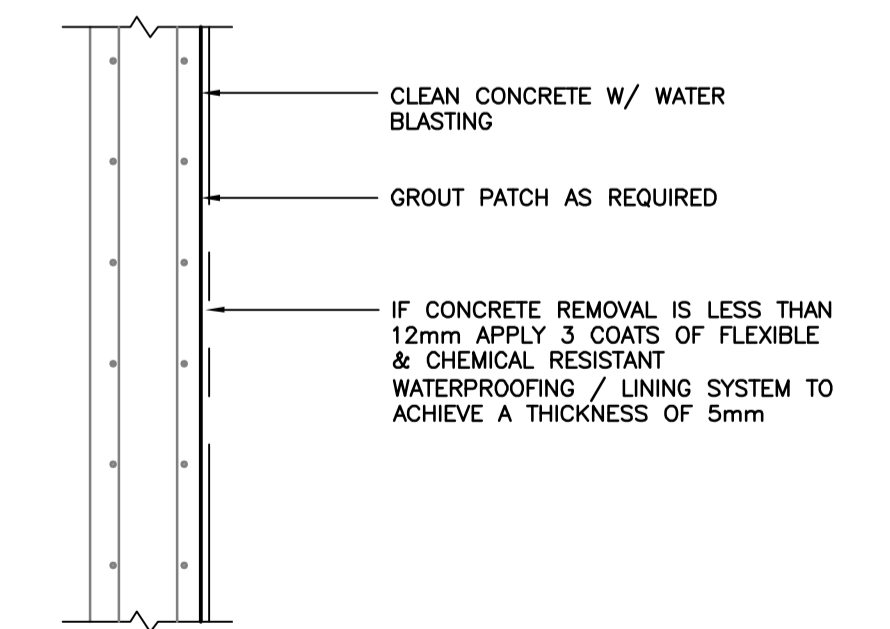
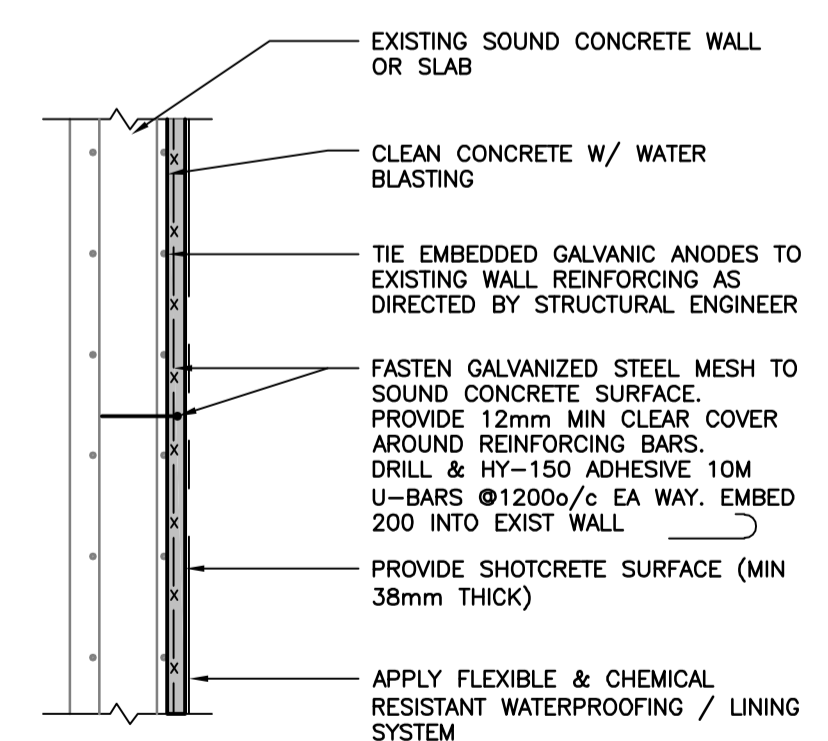


! CONTRACTOR REQUIRES APPROVAL FROM THE CONTRACT ADMINISTRATOR IF CONCRETE REPAIR & RESURFACING QUANTITIES EXCEED VALUES IN SPECIFICATION.

! CONTRACTOR TO CONFIRM DEMOLITION EXTENT WITH CONTRACT ADMIN PRIOR TO PROCEEDING. ALL DEMO BEYOND ANTICIPATED TO BE REVIEWED BY CITY.



ANODES TO BE INSTALLED BASED ON ANODE SUPPLIER RECOMMENDATIONS.



LOCATION APPROVED UNDERGROUND STRUCTURES

SUPV. U/G STRUCTURES COMMITTEE DATE

NOTE: LOCATION OF UNDERGROUND STRUCTURES AS SHOWN ARE BASED ON THE BEST INFORMATION AVAILABLE BUT NO GUARANTEE IS GIVEN THAT ALL EXISTING UTILITIES ARE SHOWN OR THAT THE GIVEN LOCATIONS ARE EXACT. CONFIRMATION OF EXISTENCE AND EXACT LOCATION OF ALL SERVICES MUST BE OBTAINED FROM THE INDIVIDUAL UTILITIES BEFORE PROCEEDING WITH CONSTRUCTION.

NO.	REVISIONS	DATE	BY
3	ISSUED FOR TENDER	12.11.01	S.K.B
2	ISSUED FOR 95% REVIEW	12.09.12	S.K.B
1	ISSUED FOR 60% REVIEW	12.07.27	S.K.B

Stantec Consulting Ltd.

905 Waverley Street, Winnipeg, Manitoba
Tel 204-489-5900 Fax 204-453-9012

DESIGNED BY: B.F. CHECKED BY: BF
DRAWN BY: I.R. APPROVED BY: S.K.B.

HOR. SCALE: 1:100
VERTICAL: DATE 2011.12.15

ENGINEER'S SEAL

ORIGINAL SEALED BY
B.E. FRASER
P. ENG.
12.11.01

THE CITY OF WINNIPEG
WATER AND WASTE DEPARTMENT

Winnipeg

NORTH END WATER POLLUTION CONTROL CENTRE
REHABILITATION OF DIGESTER No. II AND
SLUDGE HOLDING TANK No. 5 AND 7

SLUDGE HOLDING TANKS No. 5 AND No. 7 MODIFICATIONS

BID OPPORTUNITY NO. 573-2012 CITY DRAWING NUMBER I-010ID-S002-001 SHEET 4 OF 29

APEGM
Certificate of Authorization
Stantec Consulting Ltd.
No. 1301

V:\1173\wpc\117312020_MSR\CC_Design\Drawings\02_Design\Sheet_001.dwg 2012 October 10, 1:15 AM