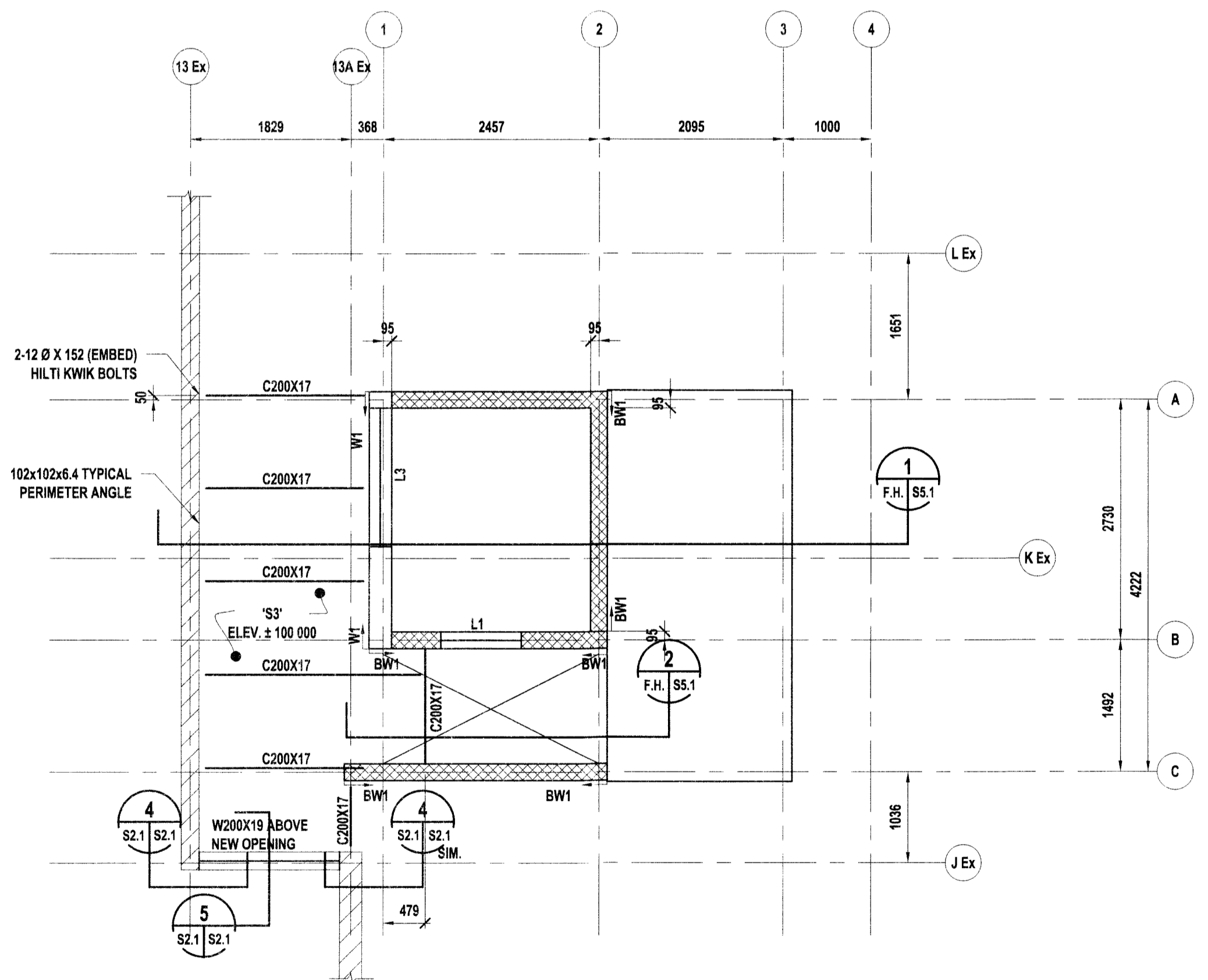
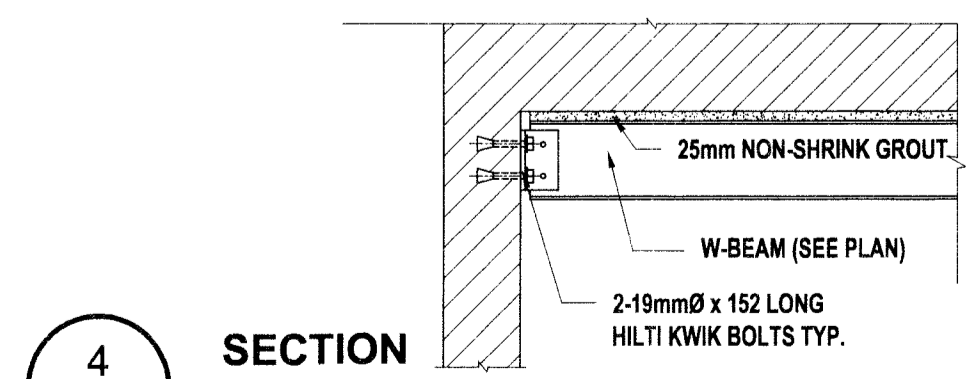


1 FOUNDATION & GROUND FLOOR FRAMING PLANS
S2.1 S2.1 1:50

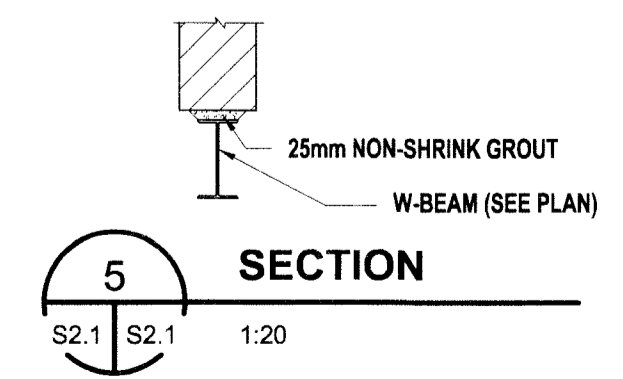


2 MAIN FLOOR FRAMING PLAN
S2.1 S2.1 1:50

DESIGN NOTES:
-LIVE LOAD: 4.8 kPa
-DEAD LOAD: 3.2kPa



4 SECTION
S2.1 S2.1 1:20



5 SECTION
S2.1 S2.1 1:20

CAST IN PLACE PILE SCHEDULE			
MARK	SIZE & DEPTH	NOTES	DETAIL
P1	406Ø / 9 200 DEEP		
P2	406Ø / 10 000 DEEP		
P3	762Ø / 9 200 DEEP		
P4	610 Ø / 8 500 DEEP		
P5	915Ø / 9 200 DEEP		
P6	915 Ø / 8 500 DEEP		
P7			

NOTE:
-ALL PILES TO BE CENTERED UNDER GRADE BEAMS
-ELEVATION TOP OF PILE 98'-0" TYPICAL
UN PILE MARK/ELEVATION PILE

CONCRETE SLAB SCHEDULE		
MARK/DESCRIPTION	REMARKS	
S1	152 CONCRETE SLAB ON 6MIL POLY VAPOUR BARRIER 9.5 OSB SHEATHING 150mm CARDBOARD VOID FORM 75mm LEVELLING SAND ON LOOSE FILL REINF. W/ 15M @ 300 O.C. E.W. BOT	→ INDICATES DIRECTION OF BLL
S2	254 CONCRETE SLAB ON 10MIL POLY VAPOUR BARRIER 9.5 OSB SHEATHING 150mm CARDBOARD VOID FORM 50mm LEVELLING SAND ON LOOSE FILL REINF. W/ 10M @ 300 O.C. E.W. TOP 20M @ 300 O.C. E.W. BOTTOM	→ INDICATES DIRECTION OF BLL
S3	102 CONCRETE SLAB OVER 38mm x 22ga. HB 938-INV. (102mm TOTAL THICKNESS) COMPOSITE STEEL DECK (GALV.) REINFORCING: 152x152 MW9.1 x MW9.1 WWM	
S4	127 SLAB ON GRADE C/W 10M @ 400 O.C. EACH WAY @ ½ OF SLAB	

WALL SCHEDULE		
MARK/DESCRIPTION	REMARKS	
W1	254 CONCRETE WALL 2-20M TOP & BOT 15M @ 400 O.C. E.W., E.S.	
W2	254 CONCRETE WALL 2-20M TOP & BOT 15M @ 200 O.C. HORIZONTAL, E.S. 15M @ 400 O.C. VERTICAL, E.S.	
W3	152 CONCRETE WALL 2-20M TOP & BOTTOM 15M @ 300 O.C. EACH WAY MID	

GRADE BEAM SCHEDULE		
MARK/DESCRIPTION	REMARKS	
GB1	254x750 GRADE BEAM 2-20M TOP & BOT. 10M STIRRUPS @ 300 O.C. 2-15M IN TOP BETWEEN COLUMNS	

DOWEL SCHEDULE		
MARK/DESCRIPTION	REMARKS	
D1	15M x 1100 LG DOWELS @ 300 O.C. TOP 300	
D2	15M x 650 LG DOWELS @ 300 O.C. TOP DRILLED AND EPOXIED 150 MIN. INTO EXISTING.	
D3	15M x 1830 LG DOWELS @ 300 O.C. MID	

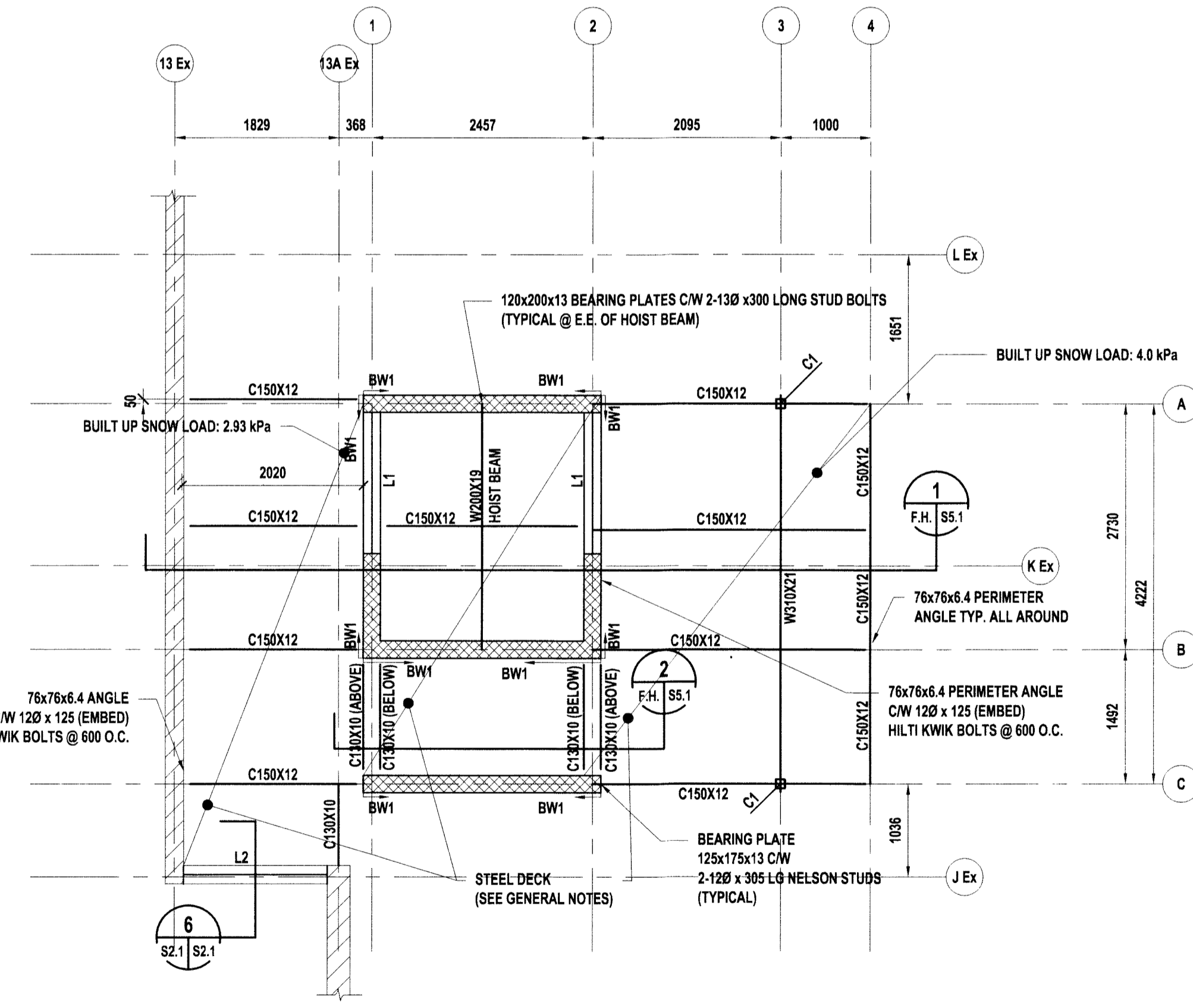
COLUMN SCHEDULE			
MARK	DESCRIPTION	UIS BASE PLATE ELEVATION	REMARKS
C1	HSS 102x102x4.8		

NOTES:
-ALL COLUMNS TO HAVE 4 - A307 20mm Ø x 450mm LONG ANCHOR BOLTS
-BASE AND CAP PLATES TO BE 20mm

LINTEL SCHEDULE			
MARK	SIZE	REINFORCEMENT	REMARKS
L1	190x390 U-BLOCK	15M TOP & BOTTOM 10M TIES @ 150 O.C. (SINGLE LEG)	
L2	2 - 89x127x9.5 ANGLES W/ 6mm PLATE		TO BEAR 200 EACH SIDE
L3	254x1165 CONC. LINTEL	3-20M BOT OF OPENING	

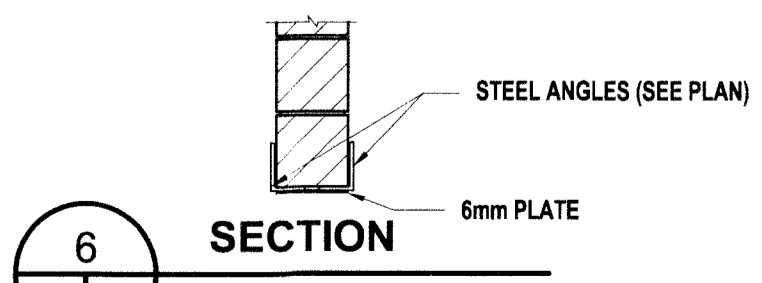
BLOCK WALL SCHEDULE	
MARK	DESCRIPTION
BW1	190 BLOCK WALL RW 1-15M @ 600 O.C. PROVIDE 15M DOWELS IN CONCRETE BELOW TO MATCH

NOTES:
-ELEVATOR WALLS TO BE FULLY GROUTED.
-PROVIDE 1-15M IN 3 CORES AT CORNERS.
-PROVIDE 1-15M ON EACH SIDE OF OPENINGS



3 ROOF FRAMING PLAN
S2.1 S2.1 1:50

DESIGN NOTES:
-SNOW LOAD: 1.72 kPa
-DEAD LOAD: 1.30 kPa



6 SECTION
S2.1 S2.1 1:20



APEGM
Certificate of Authorization
Lavergne Draward & Associates Inc.
No. 1912 Date: NOV. 27, 2012

SYMBOL INDICATES ADDENDUM # 1

2. ADDENDUM # 1 ADDED NOV. 27, 2012
1. ISSUED FOR CONSTRUCTION NOV. 27, 2012

revision

This drawing must not be scaled.

The general Contractor must verify all dimensions, details and levels prior to commencement of work. All errors and omissions must be reported immediately to the Architect.

Variations and modifications to work shown on this drawing shall not be carried out without written permission from the Architect.

This drawing is the exclusive property of the Architect and cannot be reproduced without written permission of the Architect. Reproduction must bear the name of the Architect. Copyright © 2012.

IDA STRUCTURAL
Lavergne Draward & Associates Inc.
402-138 Portage Avenue East
Winnipeg, Manitoba R3C 0A1
Tel: 204 947-2222
Fax: 204 947-2522
E mail: general@daeng.ca
Web www.idaeng.ca
PROJECT #11251

harold funk architect inc.
Harold Funk Architect Inc.
Architecture and Urban Design
401-55 Donald Street, Winnipeg, Manitoba R3C 1L8
T (204) 943-5087 info@funkarchitect.com
F (204) 949-9231 funkarchitect.com

project
CENTURY ARENA
UNIVERSAL ACCESSIBILITY
1377 Clarence Ave., Winnipeg, Manitoba

sheet title
FOUNDATION, GROUND FLOOR, MAIN FLOOR AND ROOF FRAMING PLANS

project number: 12-003 drawing number:
scale: AS NOTED **S2.1**
drawn by: E.L.
approved by: J.L.
date: 27 NOVEMBER 2012