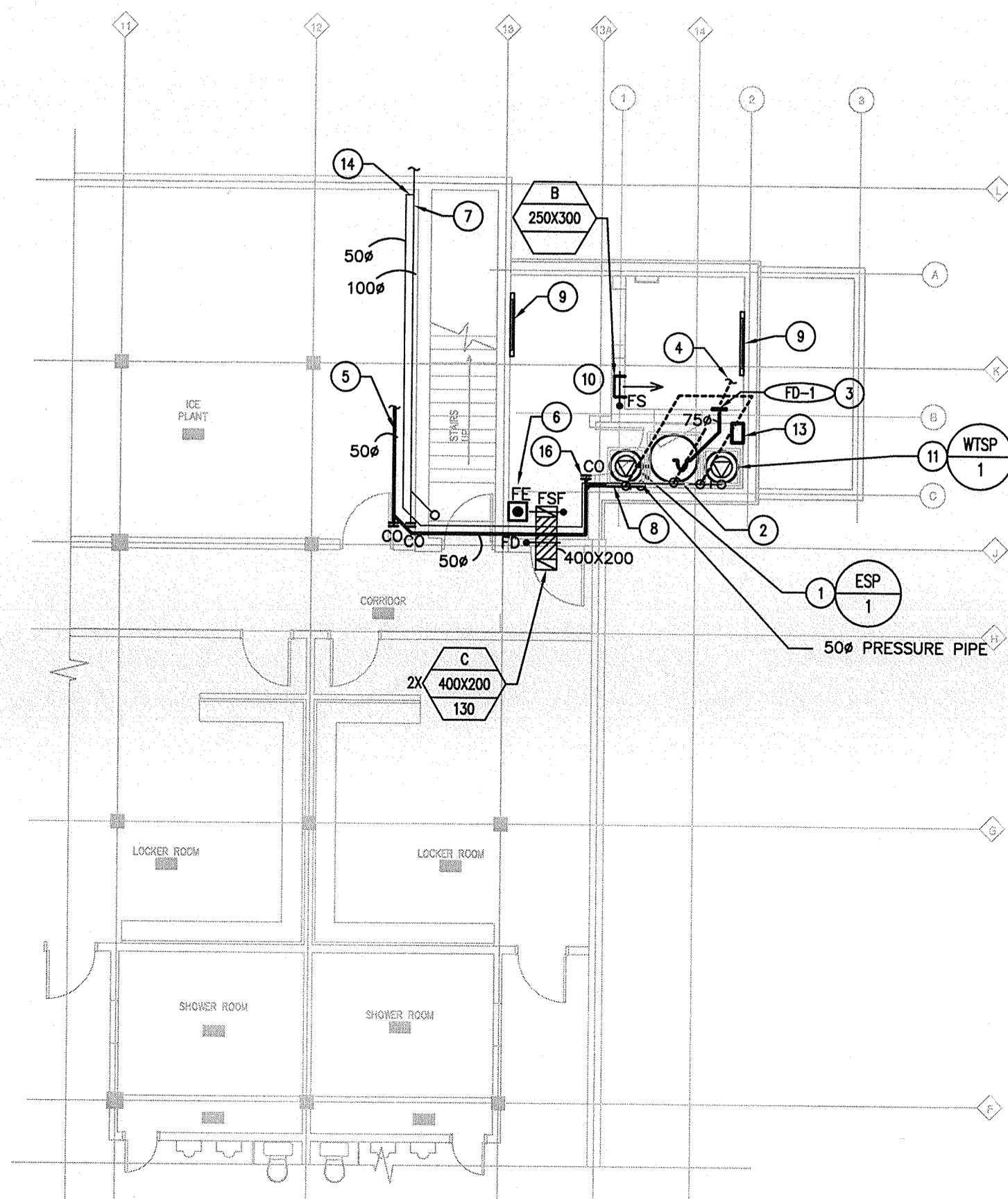


GENERAL NOTES:

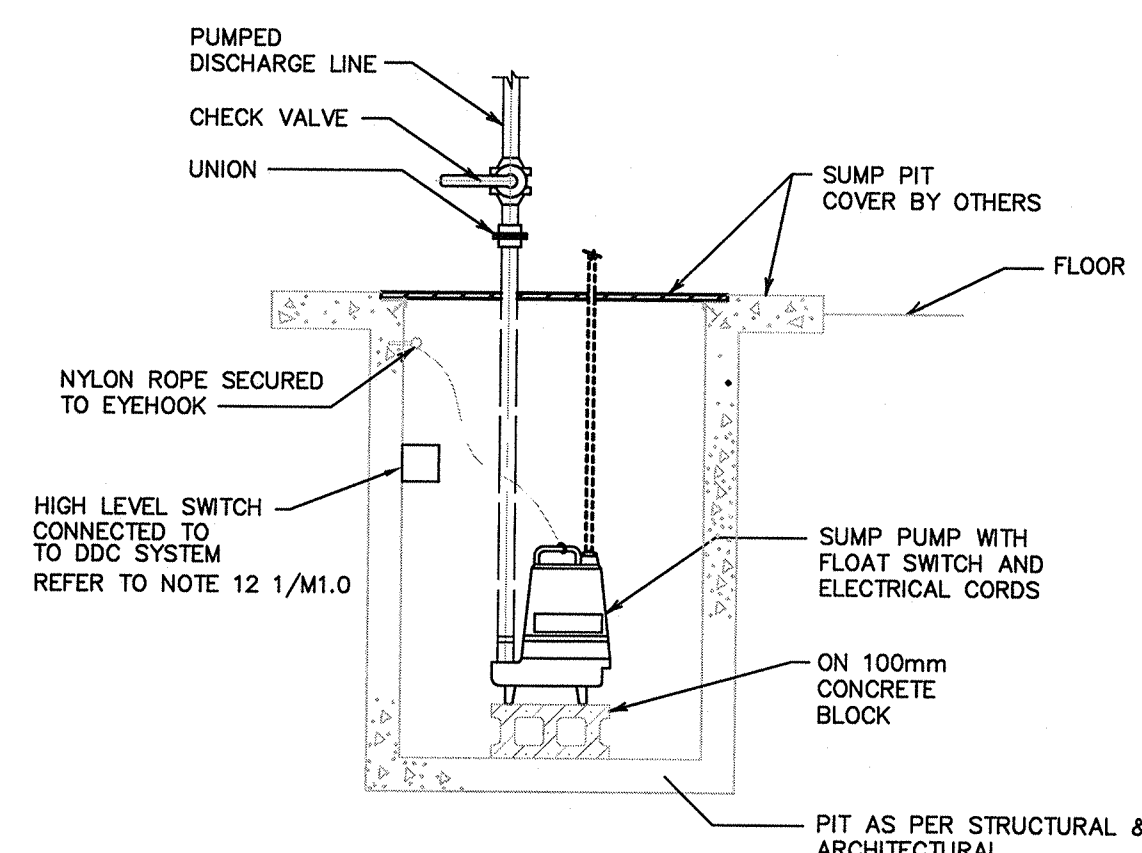
- THIS DRAWING IS DIAGRAMMATICAL ONLY. DO NOT SCALE DRAWING. CONTRACTOR TO DETERMINE EXACT LOCATIONS AND SIZES ON SITE PRIOR TO BID.
- ALL NEW WORK TO BE COORDINATED WITH EXISTING AND NEW STRUCTURAL, MECHANICAL, AND ELECTRICAL.
- MINIMUM RAIN WATER LEADER SLOPE TO BE 1:100.
- EXISTING DDC CONTROL SYSTEM CONSISTS OF A JOHNSON CONTROL SYSTEM WITH DX9100 CONTROLLER. APPROXIMATE CONTROLLER LOCATION IS WITHIN THE BASEMENT ELECTRICAL ROOM. CONTRACTOR TO SITE CONFIRM EXACT EQUIPMENT TYPE AND LOCATION ON SITE PRIOR TO BID.

DRAWING NOTES:

- NEW ESP-1 (ELEVATOR SUMP PUMP) LOCATED IN ELEVATOR SUMP PIT. REFER TO STRUCTURAL AND TO DETAIL 2/M1.0.
- NEW OIL INTERCEPTOR PIT BY OTHERS. REFER TO ARCHITECTURAL AND STRUCTURAL AND REFER TO DETAIL 2/M1.0.
- NEW ANGLE DRAIN IN BOTTOM OF ELEVATOR SHAFT. COORDINATE WITH ELEVATOR SUBCONTRACTOR. REFER TO ARCHITECTURAL.
- NEW SUMP PIT VENT LINE TO RISE AND RUN AT HIGH LEVEL TO NEAREST ADEQUATELY SIZED VENT RISER. DETERMINE EXACT LOCATION ON SITE PRIOR TO BID. SIZE VENT AS PER CODE BASED ON LENGTH OF RUN.
- 50# SUMP PIT DISCHARGE LINE TO RUN AT HIGH LEVEL AND CONNECT INTO NEAREST ADEQUATELY SIZED SANITARY DRAIN LINE WITHIN EXISTING ICE PLANT. COORDINATE EXACT ROUTING ON SITE WITH ALL NEW AND EXISTING SYSTEMS.
- NEW 5LB ABC FIRE EXTINGUISHER COMPLETE WITH MOUNTING BRACKET.
- RWL TO SPLASH PAD. REFER TO ARCHITECTURAL.
- SUMP PIT DISCHARGE PIPE TO RISE UP TO HIGH LEVEL.
- NEW BASEBOARD HEATER. BY ELECTRICAL.
- NEW 250X300 TRANSFER AIR DUCT AT LOW LEVEL. SUPPLY COMPLETE WITH GRILLE AND FIRE DAMPER. COORDINATE WITH ARCHITECTURAL AND ELEVATOR SUBCONTRACTOR.
- WTSP-1 (WEEPING TILE SUMP PUMP) LOCATED IN WEEPING TILE SUMP PIT. REFER TO STRUCTURAL, ARCHITECTURAL AND TO DETAIL 3/M1.0.
- HIGH LEVEL SWITCH TO BE MAGNETROL MODEL T10-5104-020 OR FFVOT DRY CONTACT SWITCH MECHANISM WITH CABLE FLOATS AND CLAMPS MAGNETROL MODEL T10-5104-020. RUN AN APPROPRIATE CABLE TO THE NEAREST DDC CONTROL PANEL WITH AVAILABLE POINT. CONTRACTOR TO DETERMINE ALARM REQUIREMENTS WITH THE CONTRACT ADMINISTRATOR.
- NEW HEATER BY ELECTRICAL.
- WEEPING TILE PIT DISCHARGE LINE TO CONNECT INTO THE TOP OF RAIN WATER LEADER PRIOR TO PENETRATING WALL.
- NEW ACOUSTICALLY LINED TRANSFER AIR DUCT ABOVE DOOR COMPLETE WITH FIRE DAMPERS.
- NEW CLEAN OUT FOR ELEVATOR SUMP PIT DISCHARGE LINE. ACCESS HATCH BY ARCHITECTURAL.



1 BASEMENT PLAN - PLUMBING & HVAC
M1.0 SCALE: 1:100



3 WEEPING TILE SUMP PIT DETAIL
M1.0 SCALE: NTS

PLUMBING LEGEND

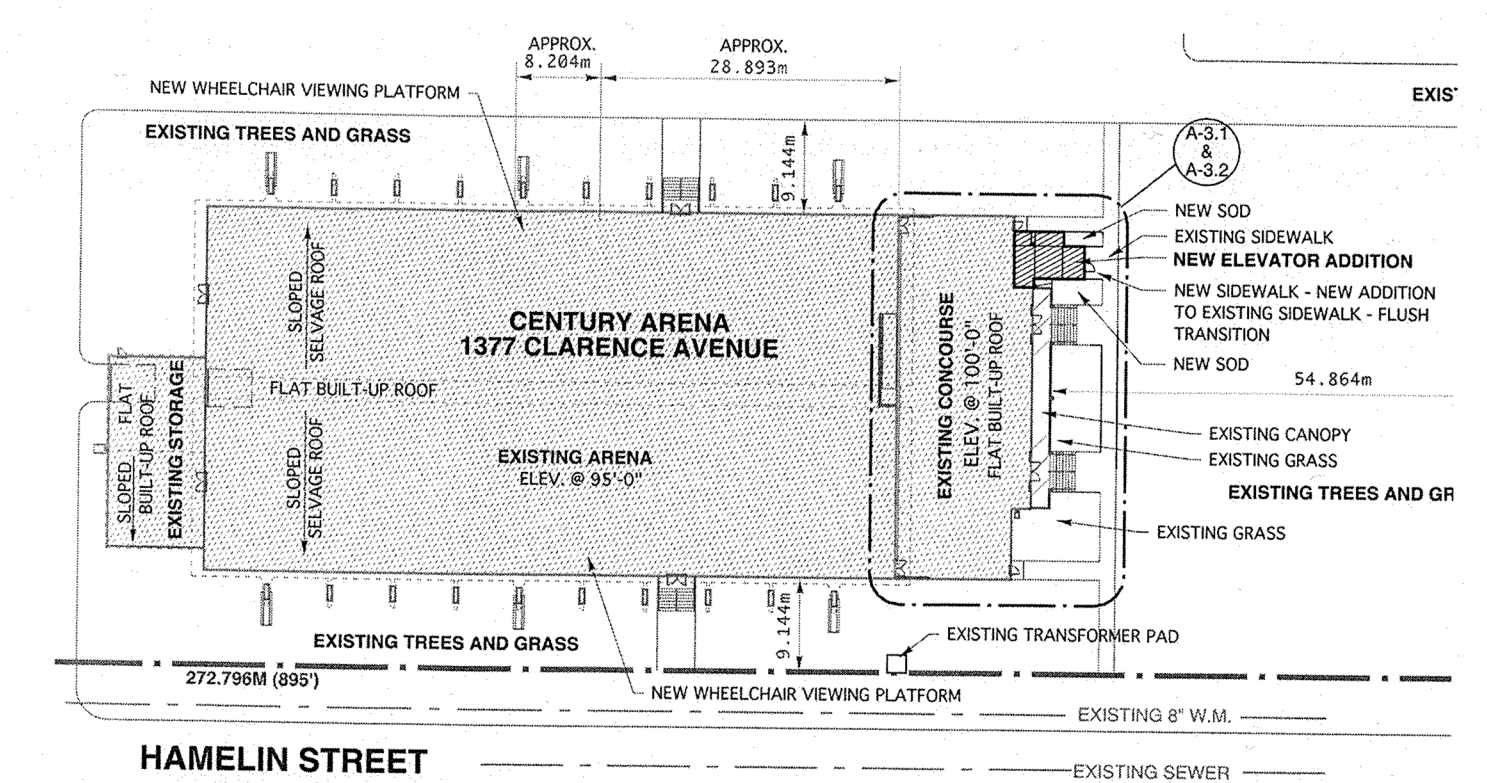
- STORM PIPE
- SANITARY ABOVE PIPE
- VENT
- BACK WATER VALVE
- PIPE RISER
- PUMP
- PIPE CONTINUATION
- FLOOR DRAIN
- CLEAN OUT
- CLEAN OUT

TAG LEGEND

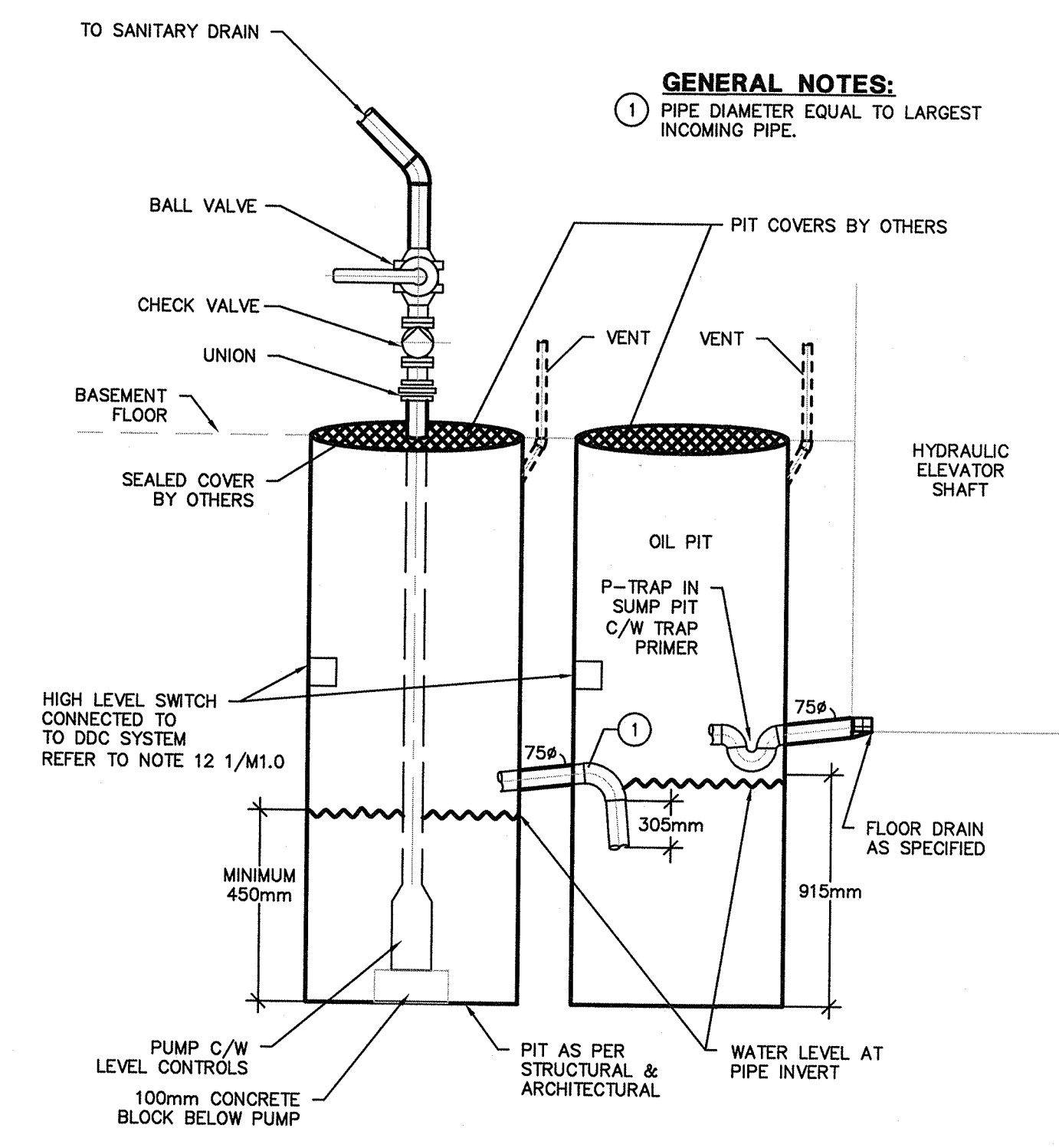
- QTY TYPE SIZE
- GRILLE TAG
- EQUIP TAG
- FIXTURE TAG

HVAC/ FIRE PROTECTION LEGEND

- SUPPLY DUCT
- EXHAUST DUCT
- BASEBOARD HEATER
- ENTRANCE HEATER
- THERMOSTAT
- FIRE EXTINGUISHER
- DUCT UP
- FIRE DAMPER
- FIRE SMOKE DAMPER
- FIRE SMOKE FLAP
- ACOUSTIC INSULATION
- BALANCING DAMPER



4 SITE PLAN
M1.0 SCALE: 1:500



2 ELEVATOR SUMP PIT DETAIL
M1.0 SCALE: NTS

PUMP SCHEDULE

NO.	LOCATION	MAKE	MODEL	PUMP SERVICE	PUMP TYPE	FLOW GPM (l/s)	FLUID TYPE	HEAD FT (PS)	SPEED RPM	CONTROLS			HP (kw)	FLA	MCA	MOCP	REMARKS
										INTERLOCK							
										SUPPLY	INSTALL	WITH					
ESP-1	ELEVATOR SUMP PIT	BELL & GOSSETT	ZDES	ELEVATOR SUMP	SUBMERSIBLE/EFFLUENT	50 (3.15)	SANITARY	35 (15)	3450				3/4 (0.56)				SUPPLY COMPLETE WITH FLOAT SWITCH, HIGH LEVEL SWITCH, AND ELECTRICAL CORG. REFER TO 2/M1.0
WTSP-1	WEEPING TILE SUMP PIT	BARNES	SPX-33	WEEPING TILE SUMP	SUBMERSIBLE/EFFLUENT	13 (0.82)	DOMESTIC WATER	25 (11)	3450				1/3 (0.23)				SUPPLY COMPLETE WITH FLOAT SWITCH, HIGH LEVEL SWITCH, AND ELECTRICAL CORG. REFER TO 3/M1.0

ISSUED FOR BID 2012-11-09

revision
This drawing must not be scaled.
The general Contractor must verify all dimensions, datums and levels prior to commencement of work. All errors and omissions must be reported immediately to the Architect.
Variations and modifications to work shown on this drawing shall not be carried out without written permission from the Architect.
This drawing is the exclusive property of the Architect and cannot be reproduced without written permission of the Architect. Reproduction must bear the name of the Architect. Copyright © 2012.

MCW / AGE
Consulting Professional Engineers
210-1821 Wellington Avenue
Winnipeg, Manitoba, R3H 0G4
Phone: (204) 779-7000 Fax: (204) 779-1119
E-Mail: mcw_age@mcw.com
8107

harold funk architect
Harold Funk Architect
Architecture and Urban Design
401-55 Donald Street, Winnipeg, Manitoba, R3C 1L8
T (204) 949-9231 info@funkarchitect.com
F (204) 949-9231 funkarchitect.com

project
ELEVATOR ADDITION AND ACCESSIBILITY UPGRADES OF CENTURY ARENA
Winnipeg, Manitoba Bld Opportunity No. 579-2012

sheet title
BASEMENT FLOOR PLUMBING & HVAC RENOVATION

project number: 12-003
scale: 1:100
drawing number: **M1.0**
drawn by: C.DEB.
approved by: J.F.
date: 2012-11-09

