

FOUNDATION & GROUND FLOOR FRAMING PLANS

1
S2.1 S2.1 1:50

CAST IN PLACE PILE SCHEDULE			
MARK	SIZE & DEPTH	NOTES	DETAIL
P1	4060 / 9 200 DEEP		
P2	4060 / 10 000 DEEP		
P3	7620 / 9 200 DEEP		
P4	610 @ / 8 500 DEEP		
P5	9150 / 9 200 DEEP		
P6	915 @ / 8 500 DEEP		
P7			
NOTE:			
- ALL PILES TO BE CENTERED UNDER GRADE BEAMS			
- ELEVATION TOP OF PILE 98'-0" TYPICAL			
UN			

CONCRETE SLAB SCHEDULE		
MARK	DESCRIPTION	REMARKS
S1	152 CONCRETE SLAB ON 5MIL POLY VAPOUR BARRIER 9.5 OSB SHEATHING 150mm CARDBOARD VOID FORM 75mm LEVELLING SAND ON LOOSE FILL REINF. W/ 15M @ 300 O.C. E.W. BOT	"-/-" INDICATES DIRECTION OF BLL
S2	254 CONCRETE SLAB ON 10MIL POLY VAPOUR BARRIER 9.5 OSB SHEATHING 150mm CARDBOARD VOID FORM 150mm LEVELLING SAND ON LOOSE FILL REINF. W/ 10M @ 300 O.C. E.W. TOP 20M @ 300 O.C. E.W. BOTTOM	"-/-" INDICATES DIRECTION OF BLL
S3	102 CONCRETE SLAB OVER 38mm x 22ga. HB 938-INV. (102mm TOTAL THICKNESS) COMPOSITE STEEL DECK (GALV) REINFORCING: 152x152 MW9.1 x MW9.1 WWW	
S4	127 SLAB ON GRADE C/W 10M @ 400 O.C. EACH WAY @ 6 OF SLAB	

WALL SCHEDULE			
MARK	DESCRIPTION	US BASE PLATE ELEVATION	REMARKS
W1	254 CONCRETE WALL 2-20M TOP & BOT 15M @ 400 O.C. E.W., E.S.		
W2	254 CONCRETE WALL 2-20M TOP & BOT 15M @ 200 O.C. HORIZONTAL, E.S. 15M @ 400 O.C. VERTICAL, E.S.		
W3	152 CONCRETE WALL 2-20M TOP & BOTTOM 15M @ 300 O.C. EACH WAY MID		

COLUMN SCHEDULE			
MARK	DESCRIPTION	US BASE PLATE ELEVATION	REMARKS
C1	HSS 102x102x4.8		

NOTES:
- ALL COLUMNS TO HAVE 4 - A307 20mm Ø x 450mm LONG ANCHOR BOLTS
- BASE AND CAP PLATES TO BE 20mm

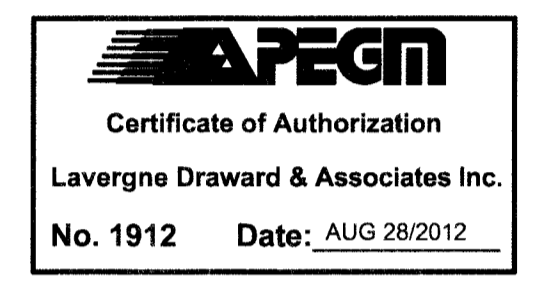
LINTEL SCHEDULE			
MARK	SIZE	REINFORCEMENT	REMARKS
L1	190x390 U-BLOCK	15M TOP & BOTTOM 10M TIES @ 150 O.C. (SINGLE LEG)	
L2	2 - 89x127x9.5 ANGLES W/ 6mm PLATE		TO BEAR 200 EACH SIDE
L3	254x1169 CONC. LINTEL	3-20M BOT OF OPENING	

GRADE BEAM SCHEDULE	
MARK	DESCRIPTION
GB1	254x750 GRADE BEAM 2-20M TOP & BOT. 10M STIRRUPS @ 300 O.C. 2-15M IN TOP BETWEEN COLUMNS

DOWEL SCHEDULE	
MARK	DESCRIPTION
D1	15M x 1100 LG DOWELS @ 300 O.C. TOP
D2	15M x 850 LG DOWELS @ 300 O.C. TOP DRILLED AND EPOXIED 150 MIN. INTO EXISTING.
D3	15M x 1830 LG DOWELS @ 300 O.C. MID

BLOCK WALL SCHEDULE	
MARK	DESCRIPTION
BW1	190 BLOCK WALL RW 1-15M @ 600 O.C. PROVIDE 15M DOWELS IN CONCRETE BELOW TO MATCH

NOTES:
- ELEVATOR WALLS TO BE FULLY GROUTED.
- PROVIDE 1-15M IN 3 CORES AT CORNERS.
- PROVIDE 1-15M ON EACH SIDE OF OPENINGS



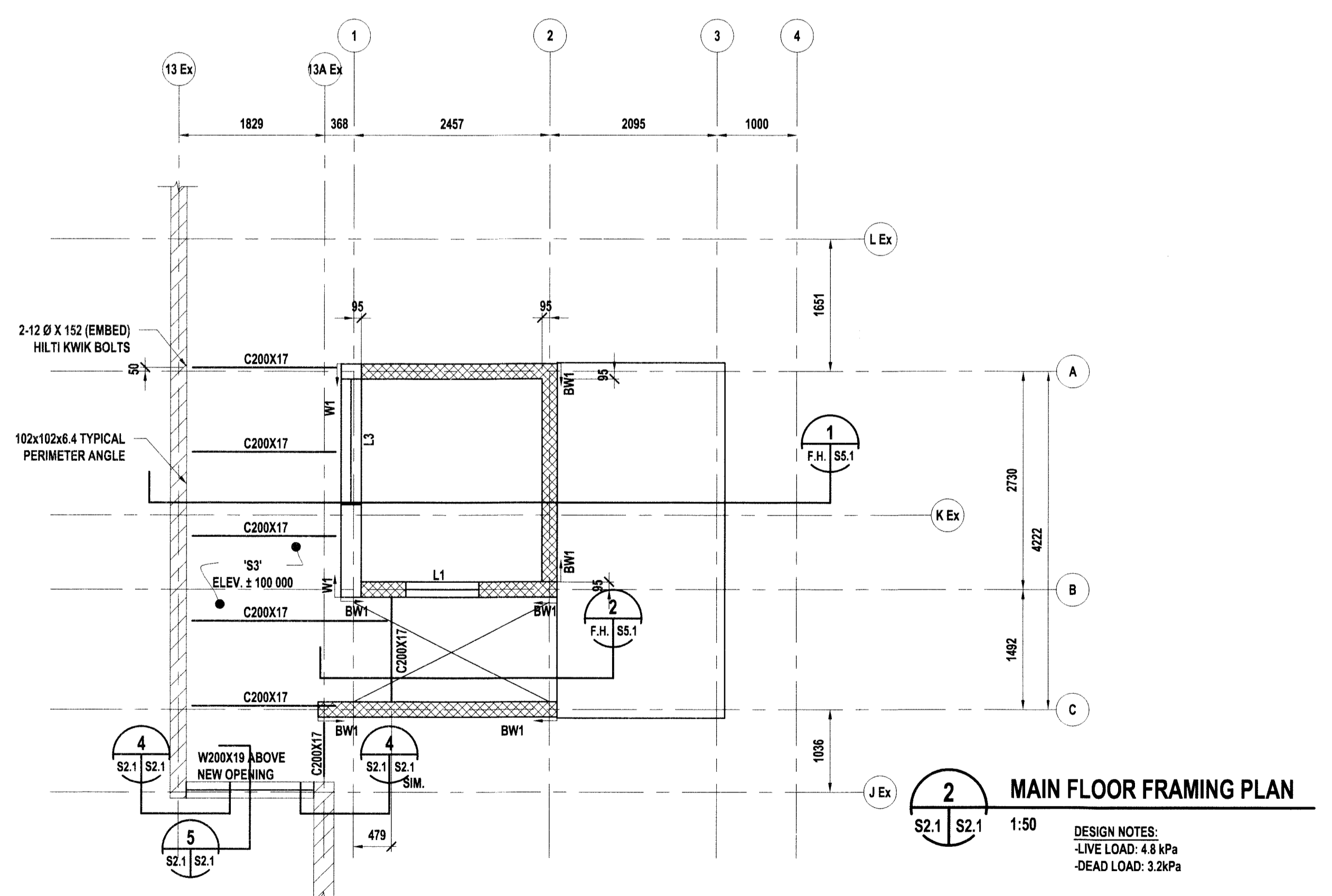
revision
This drawing must not be scaled.
The general Contractor must verify all dimensions, datums and levels prior to commencement of work. All errors and omissions must be reported immediately to the Architect.
Variations and modifications to work shown on this drawing shall not be carried out without written permission from the Architect.
This drawing is the exclusive property of the Architect and cannot be reproduced without written permission of the Architect. Reproduction must bear the name of the Architect. Copyright © 2012.



project
CENTURY ARENA
UNIVERSAL ACCESSIBILITY
1377 Clarence Ave., Winnipeg, Manitoba

sheet title
FOUNDATION PLAN & GROUND FLOOR FRAMING PLAN
MAIN FLOOR FRAMING PLAN
ROOF FRAMING PLAN

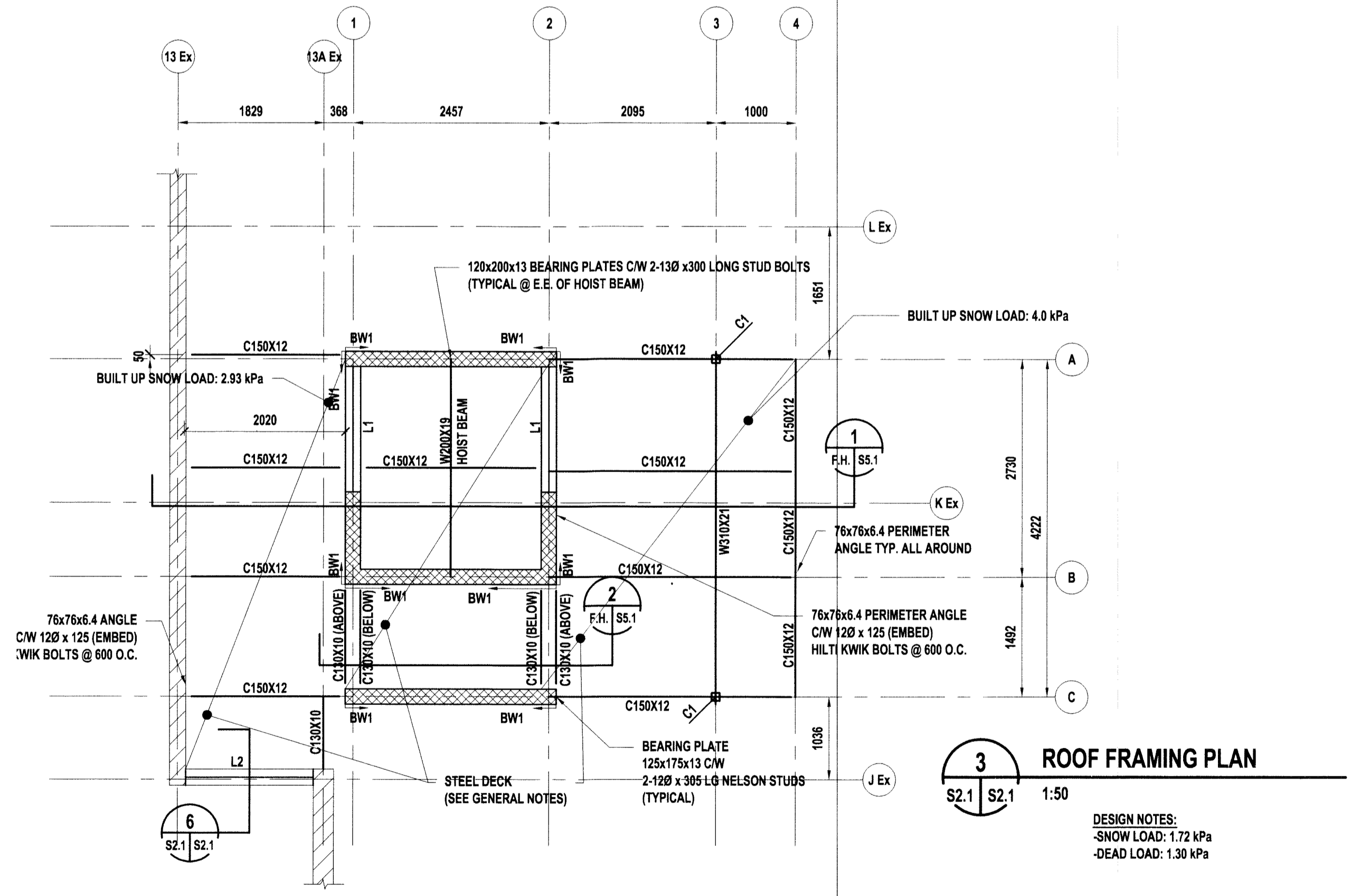
project number: 12-003 drawing number:
scale: AS NOTED **S-2.1**
drawn by: E.L.
approved by: E.L.
date: 23 AUGUST 2012



2 MAIN FLOOR FRAMING PLAN

2
S2.1 S2.1 1:50

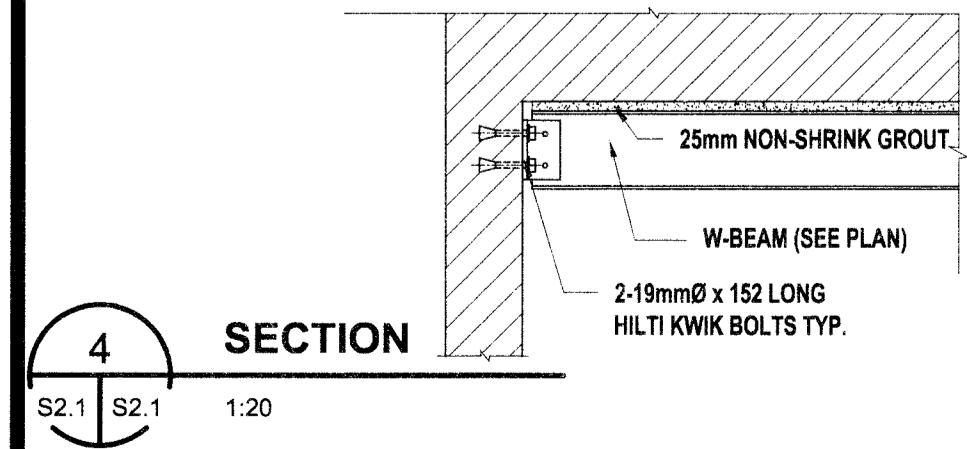
DESIGN NOTES:
- LIVE LOAD: 4.8 kPa
- DEAD LOAD: 3.2 kPa



3 ROOF FRAMING PLAN

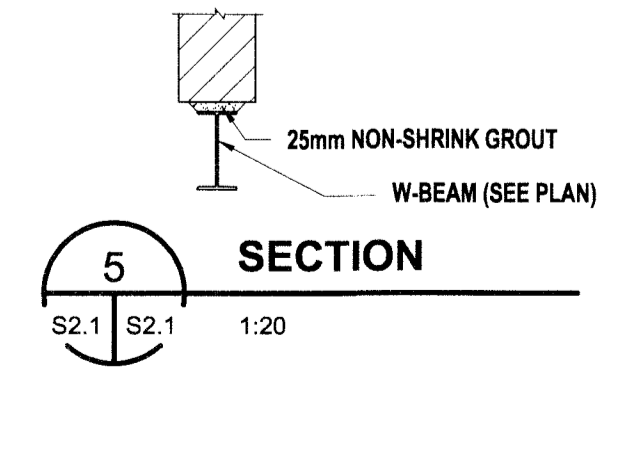
3
S2.1 S2.1 1:50

DESIGN NOTES:
- SNOW LOAD: 1.72 kPa
- DEAD LOAD: 1.30 kPa



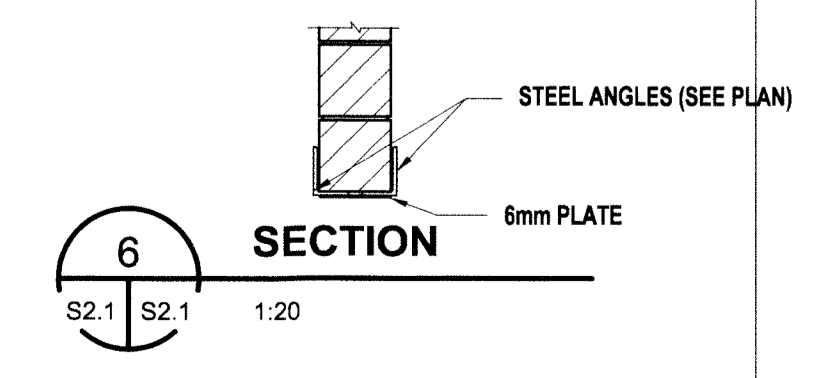
4 SECTION

4
S2.1 S2.1 1:20



5 SECTION

5
S2.1 S2.1 1:20



6 SECTION

6
S2.1 S2.1 1:20