

FLOOD CONTROL STRUCTURE

PLAN VIEW
PLAN AT ELEVATION 226.000

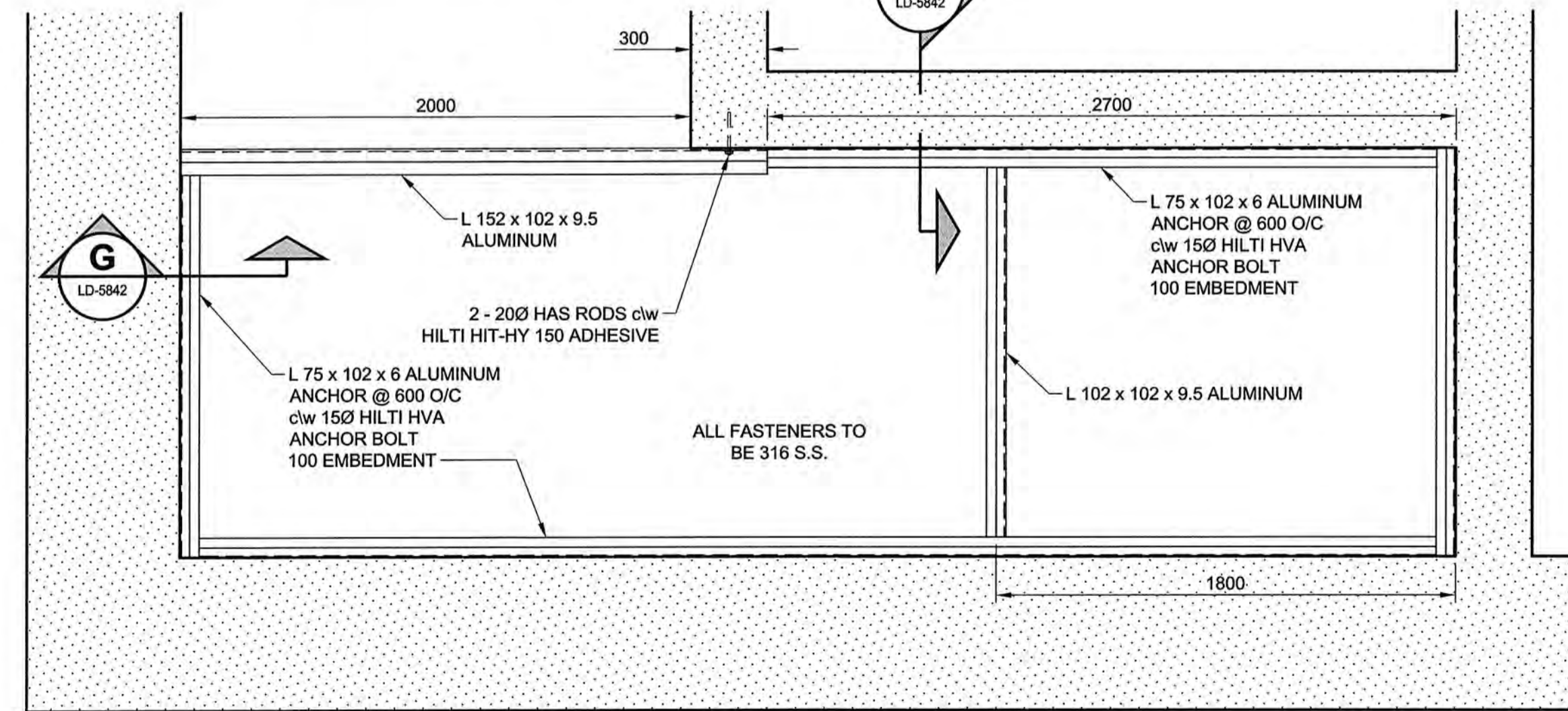
SCALE 1:40

TRASH RACK
SEE DETAIL DWG No. LD-5845

GRATING PLATFORM
AT EL 228.225

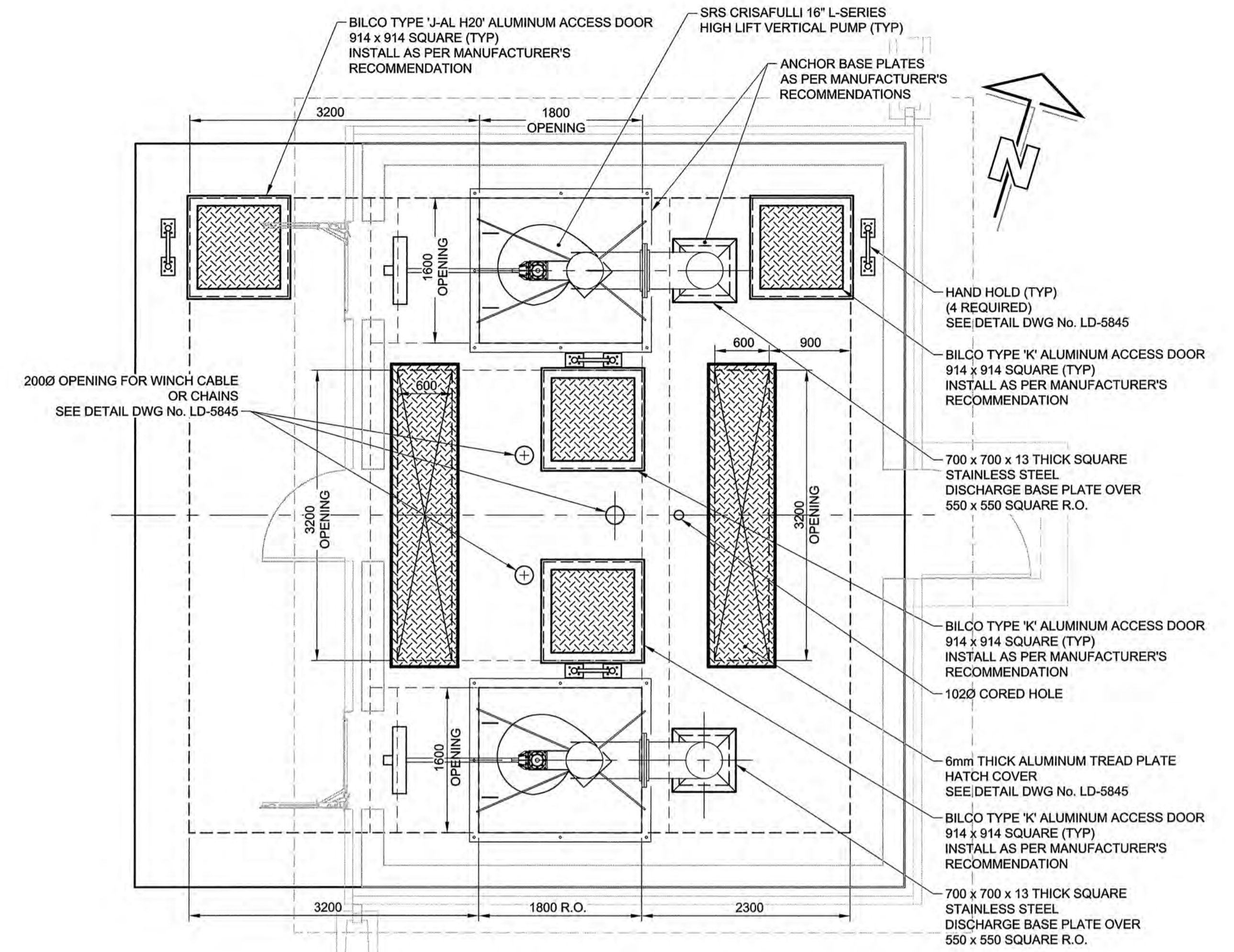
1676Ø CAST IRON
CIRCULAR FLAP GATE c/w
WALL THIMBLE

CONSTRUCT TYPICAL PIPE CONNECTION
SEE DETAIL DWG No. LD-5853



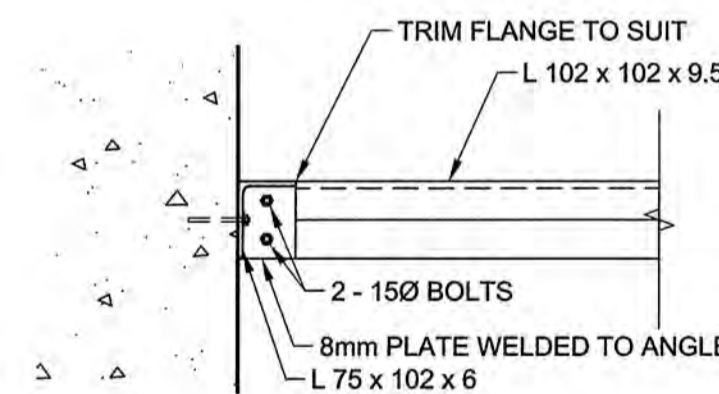
GRATE FRAMING PLAN

SCALE 1:20



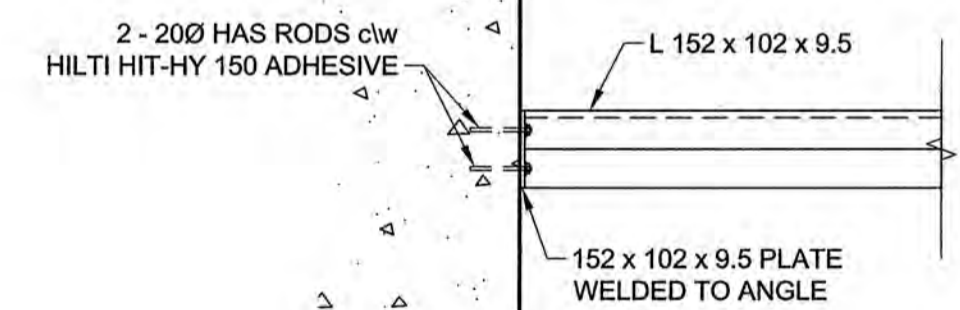
FLOOD CONTROL STRUCTURE

SCALE 1:40
FLOOR SLAB ACCESS PLAN
PLAN AT ELEVATION 233.030



SECTION F

SCALE 1:10



SECTION G

SCALE 1:10

METRIC
WHOLE NUMBERS INDICATE MILLIMETRES
DECIMALIZED NUMBERS INDICATE METRES

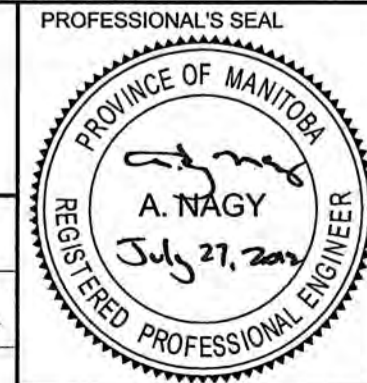
BID OPPORTUNITY NO. 587-2012



LOCATION APPROVED UNDERGROUND STRUCTURES

NOTE:
LOCATION OF UNDERGROUND STRUCTURES AS SHOWN ARE BASED ON THE BEST INFORMATION AVAILABLE. BUT NO GUARANTEE IS GIVEN THAT ALL EXISTING UTILITIES ARE SHOWN OR THAT THE GIVEN LOCATIONS ARE EXACT. CONFIRMATION OF EXISTENCE AND EXACT LOCATION OF ALL SERVICES MUST BE OBTAINED FROM THE INDIVIDUAL UTILITIES BEFORE PROCEEDING WITH CONSTRUCTION.

DESIGNED BY	JAT	CHECKED BY	JF
DRAWN BY	WJd	APPROVED BY	<i>[Signature]</i>
HOR. SCALE	1:40	RELEASED FOR CONSTRUCTION	
VERT. SCALE	N/A	DATE	12/07/30
NO. ISSUED FOR CONSTRUCTION	12/07/27	BY	WJK/KLC
NO. REVISIONS	YYMMDD	BY	



THE CITY OF WINNIPEG WATER & WASTE DEPARTMENT

CONSTRUCTION OF FLOOD CONTROL STRUCTURE AT PEMBINA HIGHWAY & BEAUJOLAIS COULEE

CIVIL
FLOOD CONTROL CHAMBER
SECTIONS & DETAILS 1

SHEET 3 OF 19

CITY DRAWING NUMBER
LD-5842

REV 0