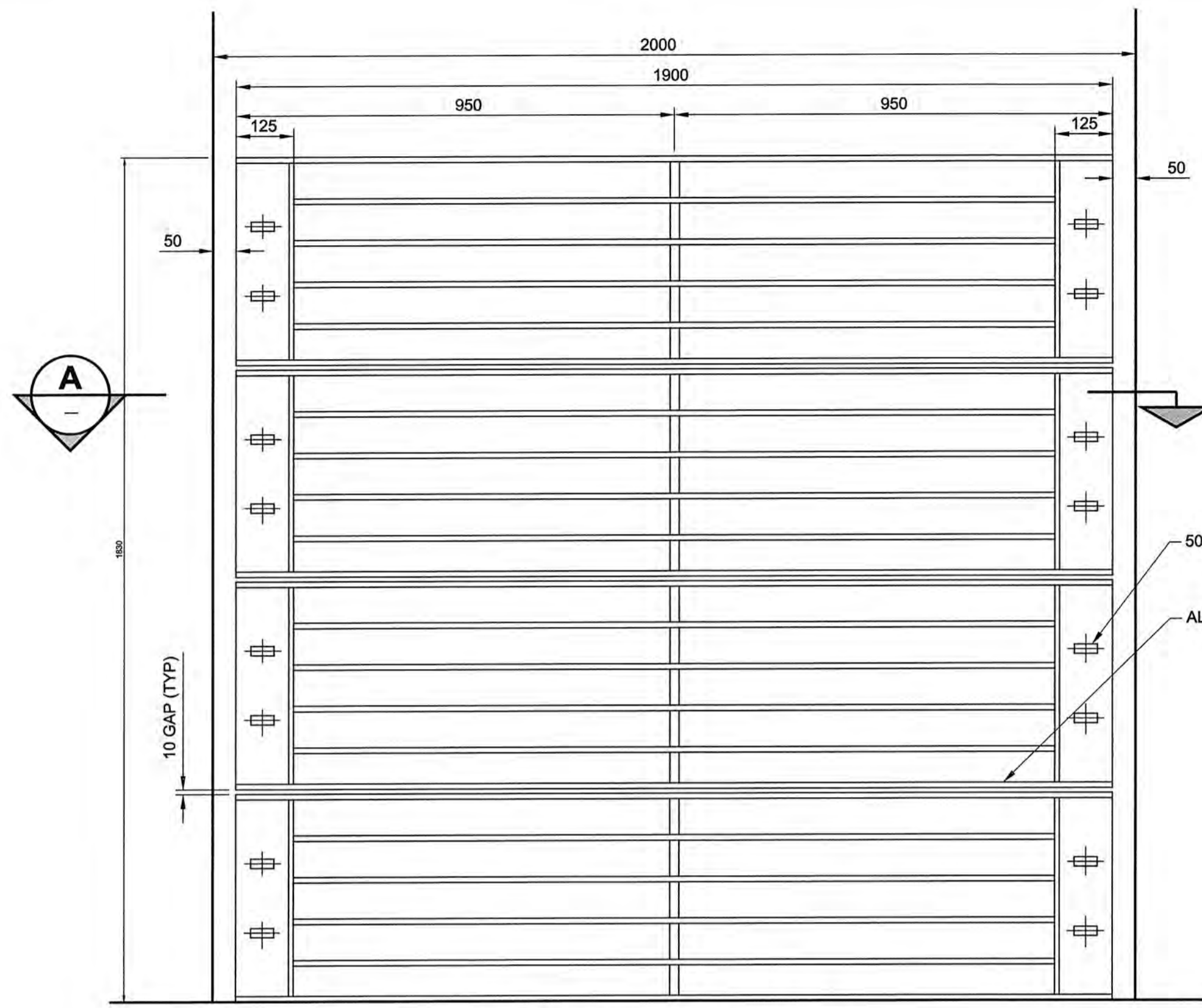
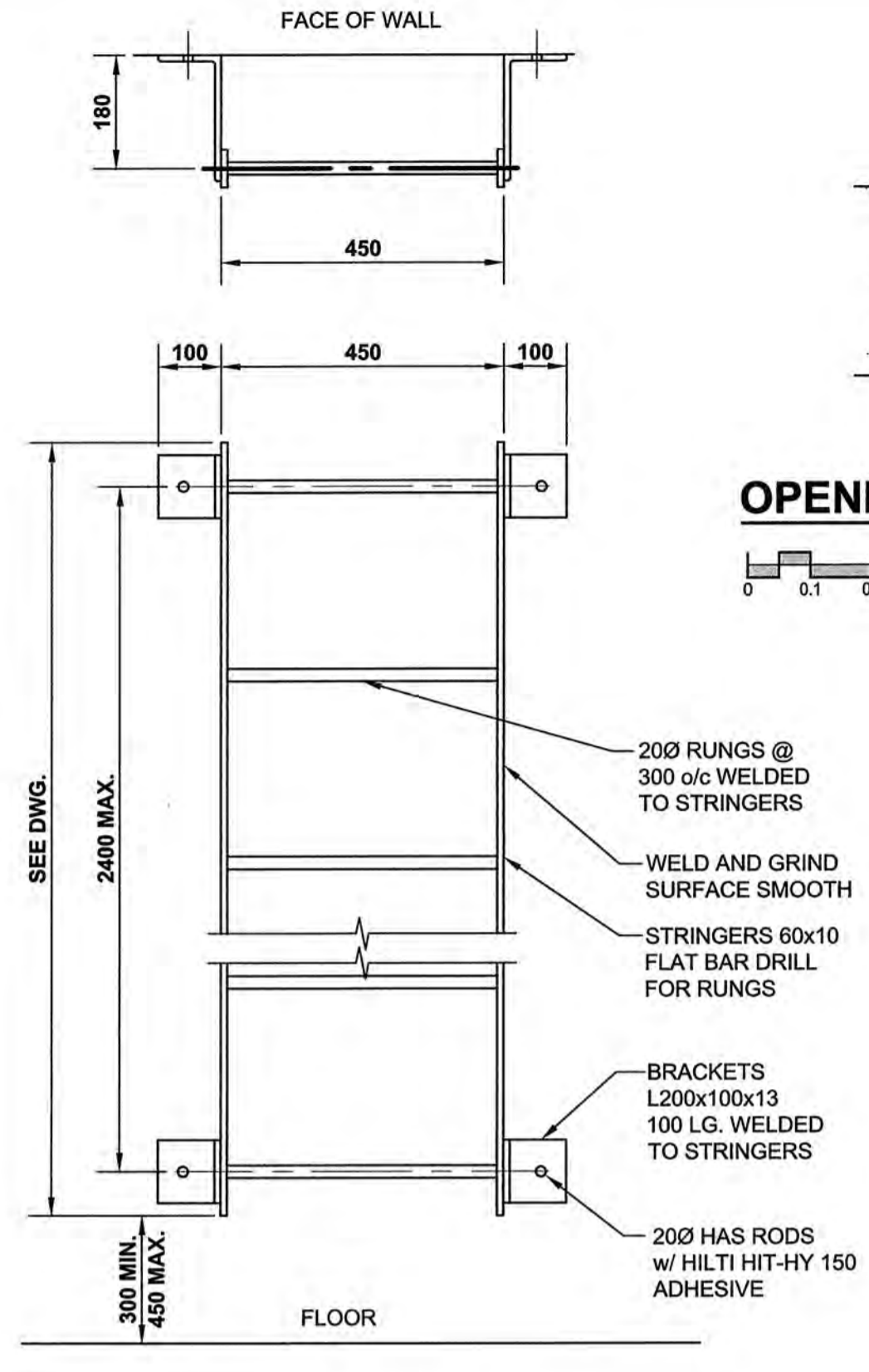


AECOM REVIEW DRAFT CHK
 AECOM FILE NAME: 60221826-02-C-105-R0X.dwg Saved By: cooperkl
 PLOT: 12/07/27 2:32:03 PM
 D SIZE 22" x 34" (559mm x 864mm)

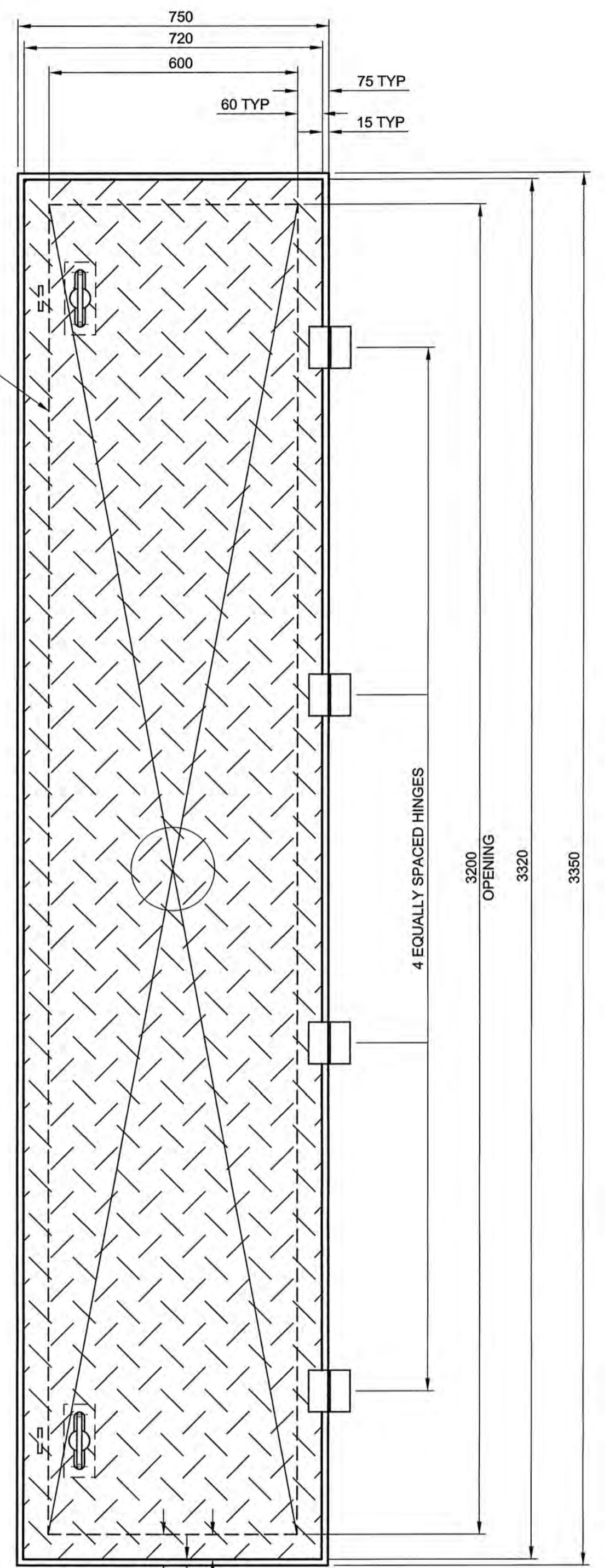
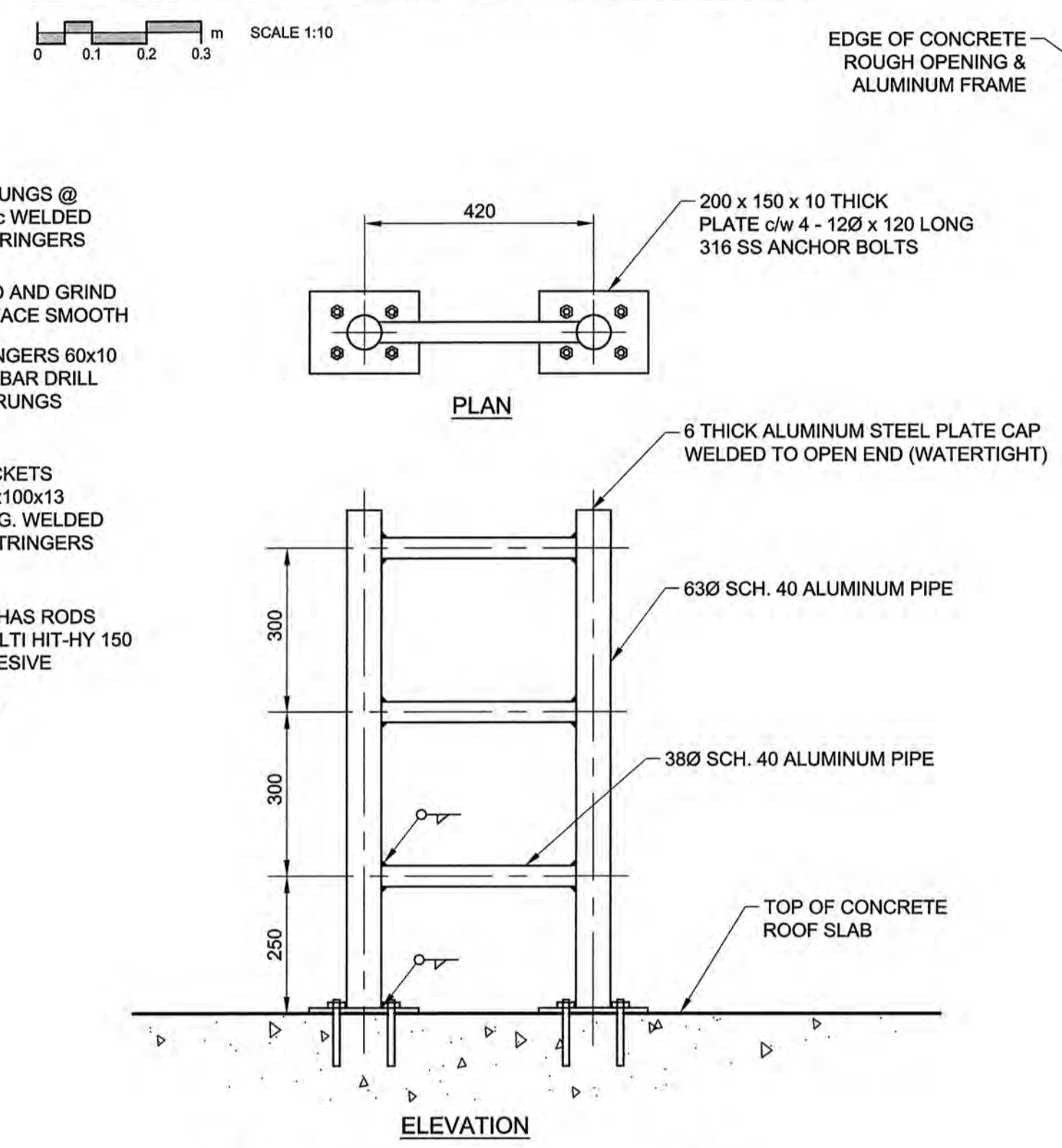


TYPICAL TRASH RACK
SCALE 1:10
COMPRISED OF 4 PANELS

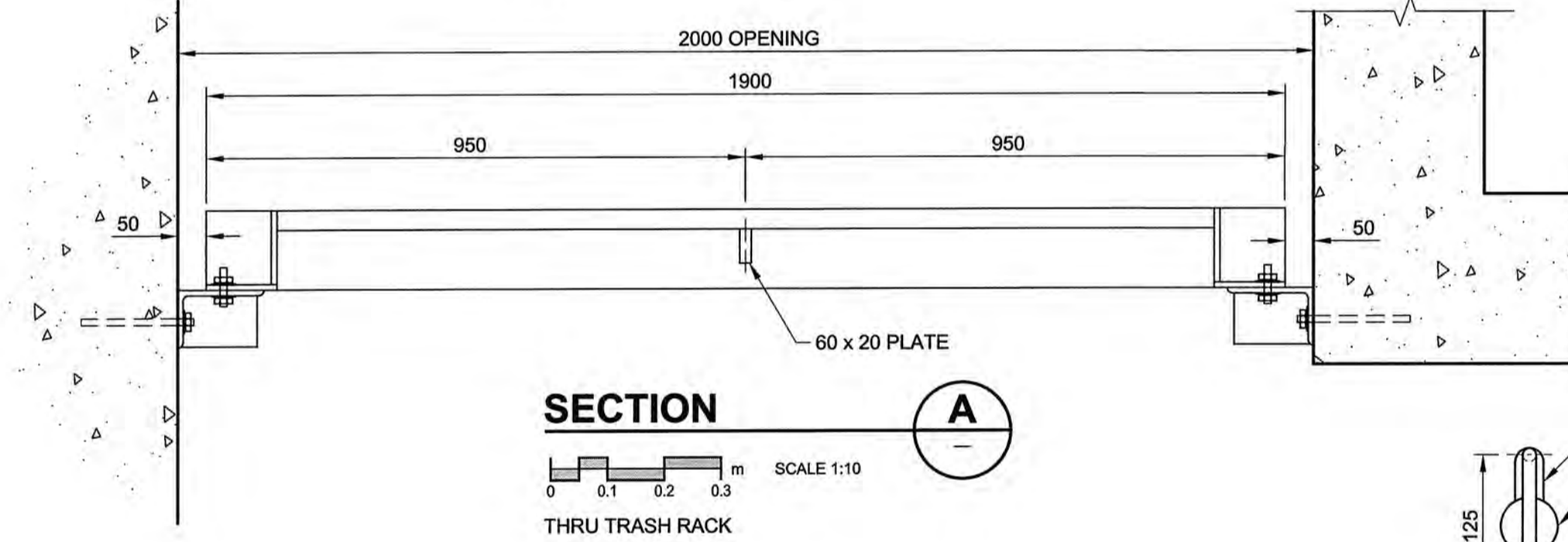


ALUMINUM LADDER
SCALE 1:10

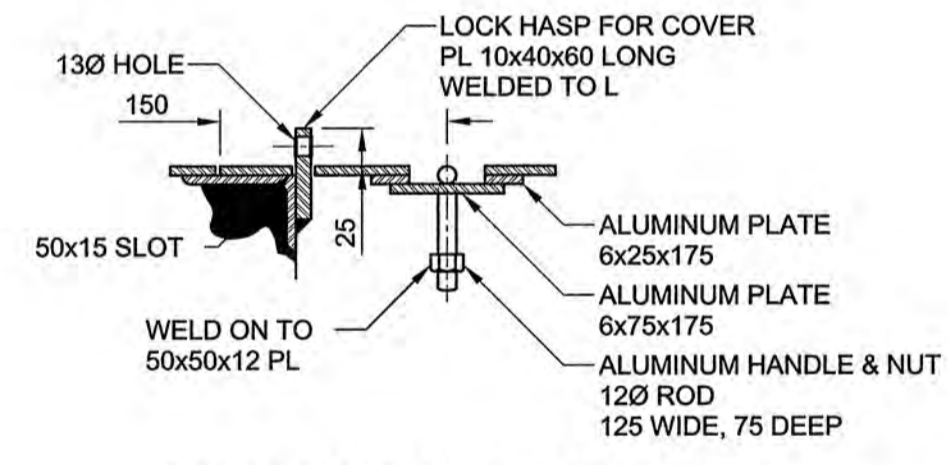
OPENING FOR WINCH CABLE OR CHAINS
SCALE 1:10



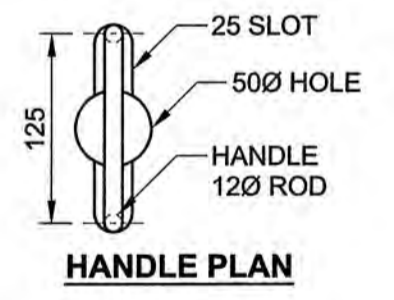
ALUMINUM TREAD PLATE DETAIL
SCALE 1:10
BOLT-DOWN HATCH COVER FOR 600 x 3200 R.O. 2 REQUIRED



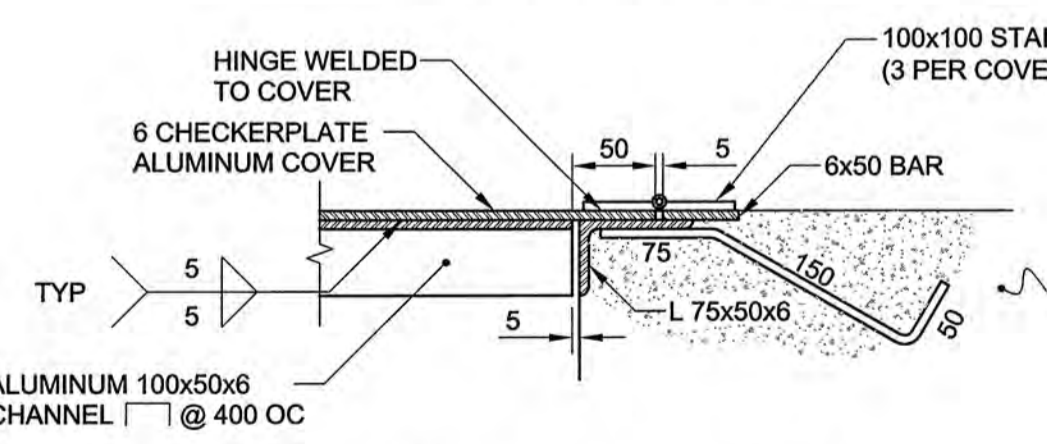
SECTION
SCALE 1:10
THRU TRASH RACK



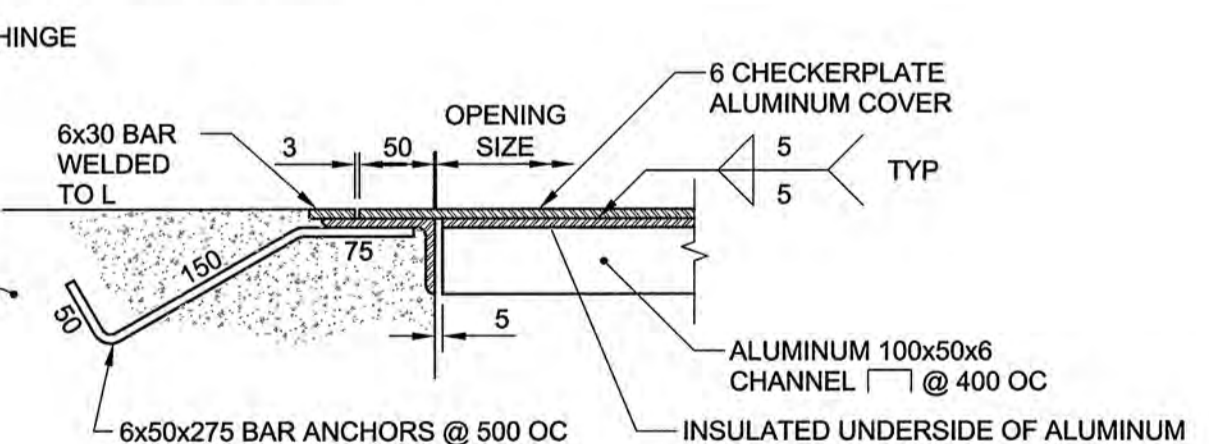
ACCESS HATCH HANDLE SECTION



HANDLE PLAN

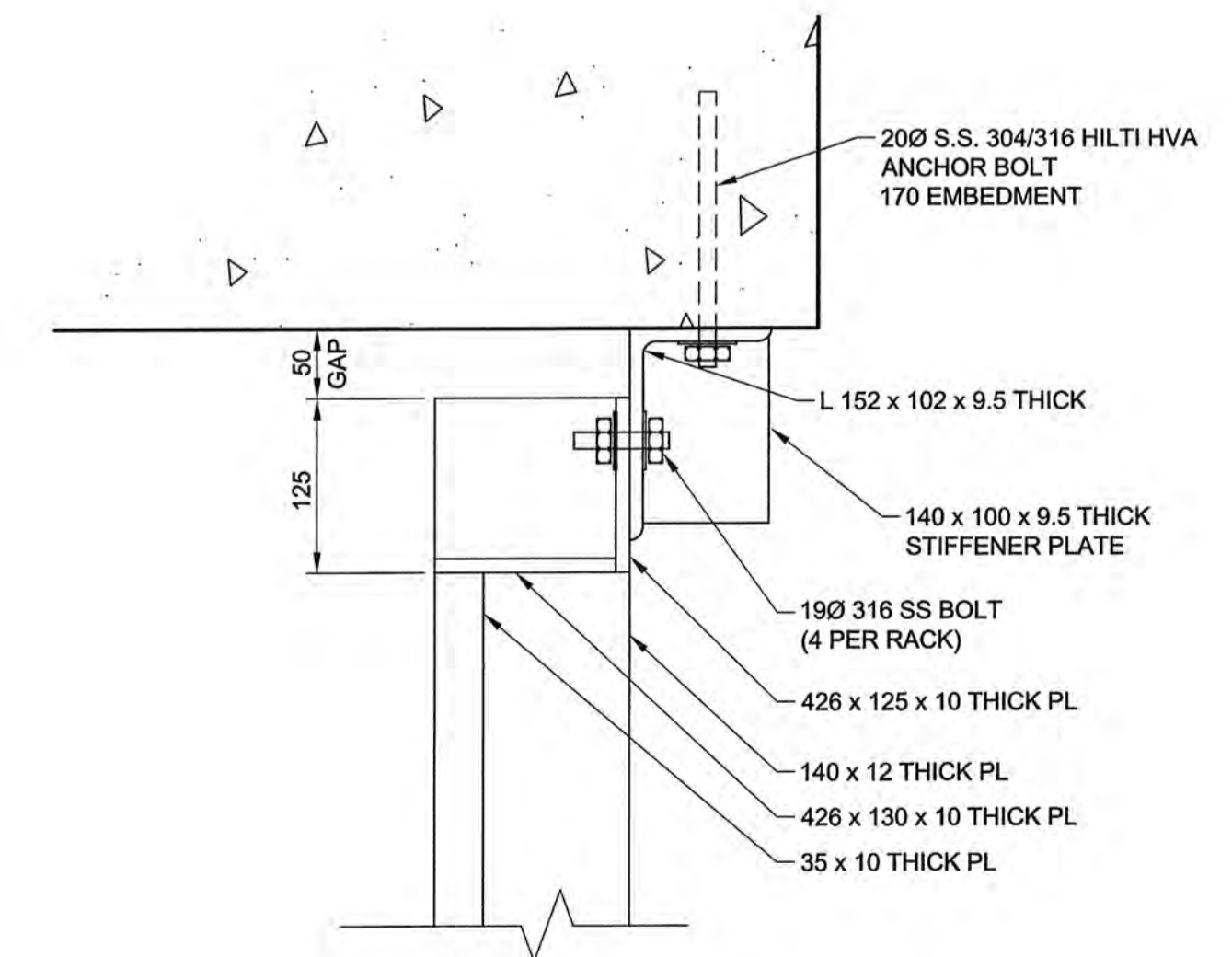


ACCESS HATCH HINGE SECTION



ACCESS HATCH FRAME SECTION

ACCESS HATCH METAL FABRICATION DETAILS
SCALE 1:5



TYPICAL TRASH RACK CONNECTION DETAIL
SCALE 1:5

LOCATION APPROVED
UNDERGROUND STRUCTURES

SUPR. U/G STRUCTURES COMMITTEE DATE
 NOTE:
 LOCATION OF UNDERGROUND STRUCTURES AS SHOWN ARE BASED ON THE BEST INFORMATION AVAILABLE. BUT NO GUARANTEE IS GIVEN THAT ALL EXISTING UTILITIES ARE SHOWN OR THAT THE GIVEN LOCATIONS ARE EXACT. CONFIRMATION OF EXISTENCE AND EXACT LOCATION OF ALL SERVICES MUST BE OBTAINED FROM THE INDIVIDUAL UTILITIES BEFORE PROCEEDING WITH CONSTRUCTION.

NO.	ISSUED FOR CONSTRUCTION	DATE	BY
0	ISSUED FOR CONSTRUCTION	12/07/27	WJd/KLC
	REVISIONS	YYMMDD	BY

AECOM		DESIGNED BY	JAT	CHECKED BY	JAT
		DRAWN BY	WJd	APPROVED BY	[Signature]
HOR. SCALE	1:100	RELEASED FOR CONSTRUCTION			
VERT. SCALE	N/A	DATE	12/07/30	DATE	

APEGM
 Certificate of Authorization
 AECOM Canada Ltd.
 No. 4671 Date: July 27, 2012

METRIC
 WHOLE NUMBERS INDICATE MILLIMETRES
 DECIMALIZED NUMBERS INDICATE METRES

PROFESSIONAL'S SEAL
 PROVINCE OF MANITOBA
 REGISTERED PROFESSIONAL ENGINEER
 A. NAGY
 July 27, 2012
 CONSULTANT DRAWING NO.
 60221826-02-C-105-R0X.dwg

THE CITY OF WINNIPEG
WATER & WASTE DEPARTMENT
CONSTRUCTION OF FLOOD CONTROL STRUCTURE AT PEMBINA HIGHWAY & BEAUJOLAIS COULEE
 CIVIL
 FLOOD CONTROL CHAMBER
 MISCELLANEOUS DETAILS 1

SHEET 6 OF 19
 CITY DRAWING NUMBER
LD-5845
 REV 0

BID OPPORTUNITY NO. 587-2012