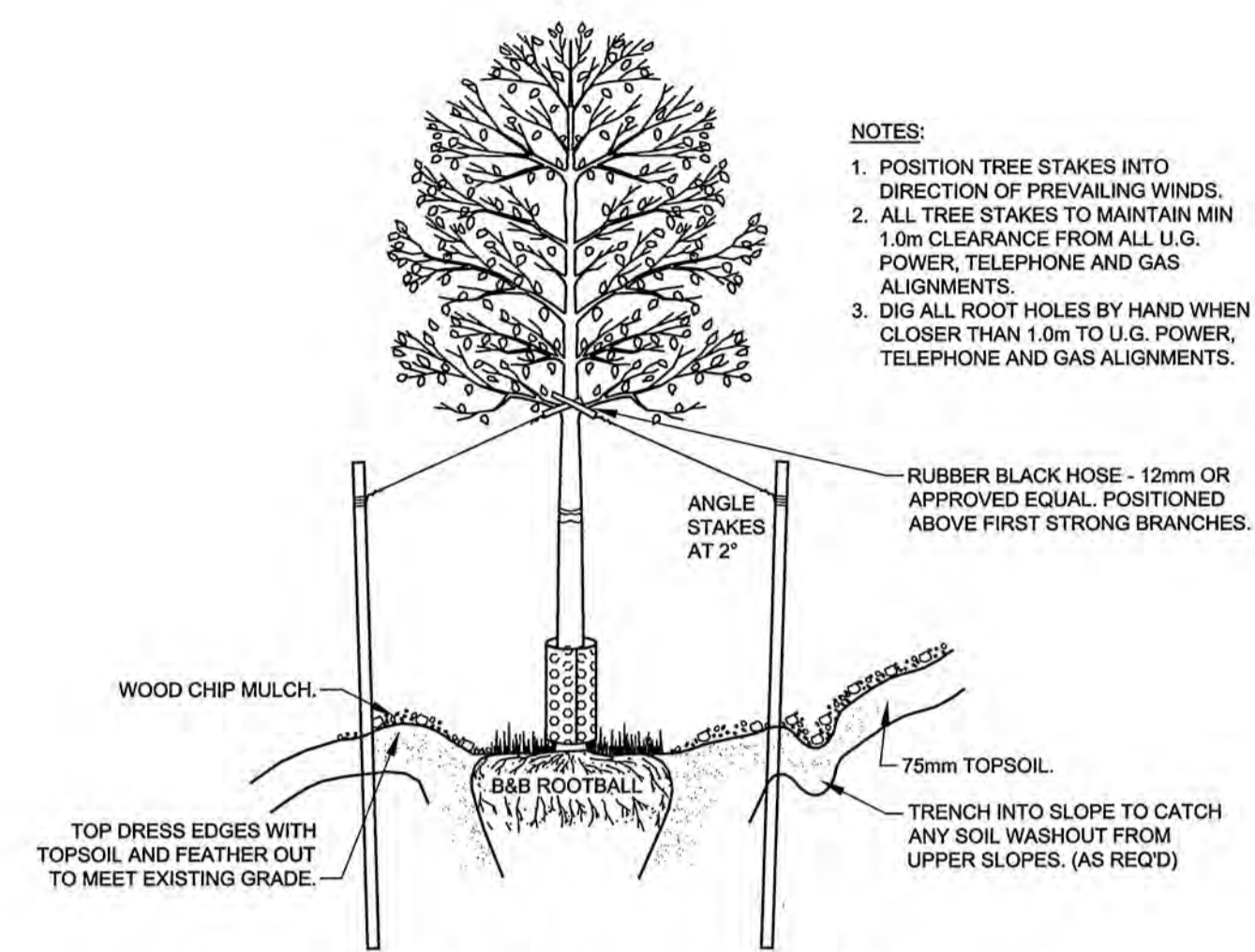
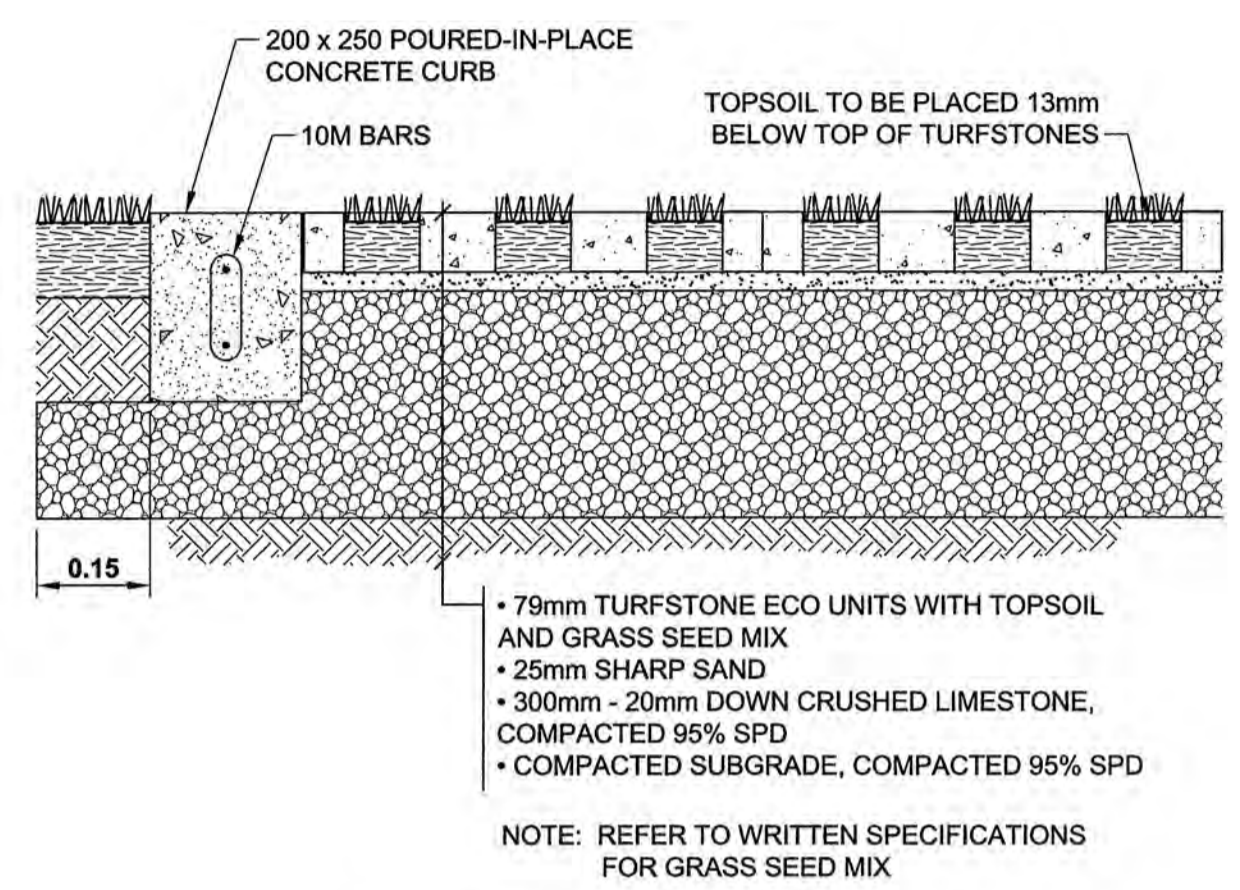


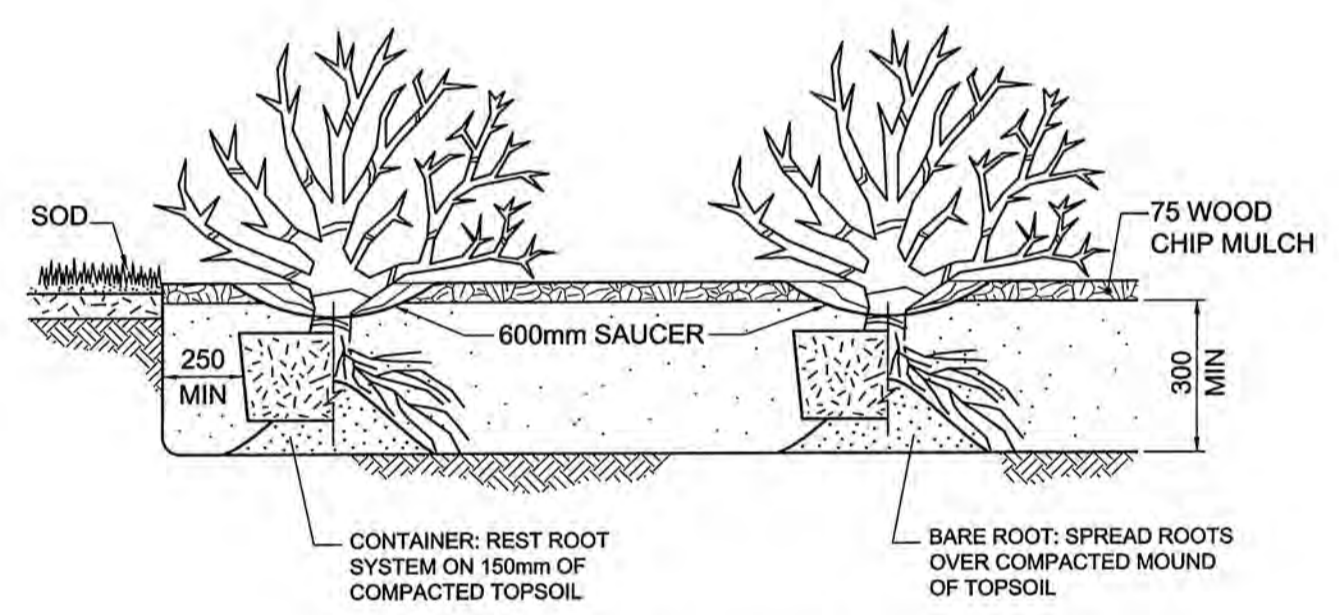
**TYPICAL DECIDUOUS TREE PLANTING DETAIL**  
SCALE: NTS



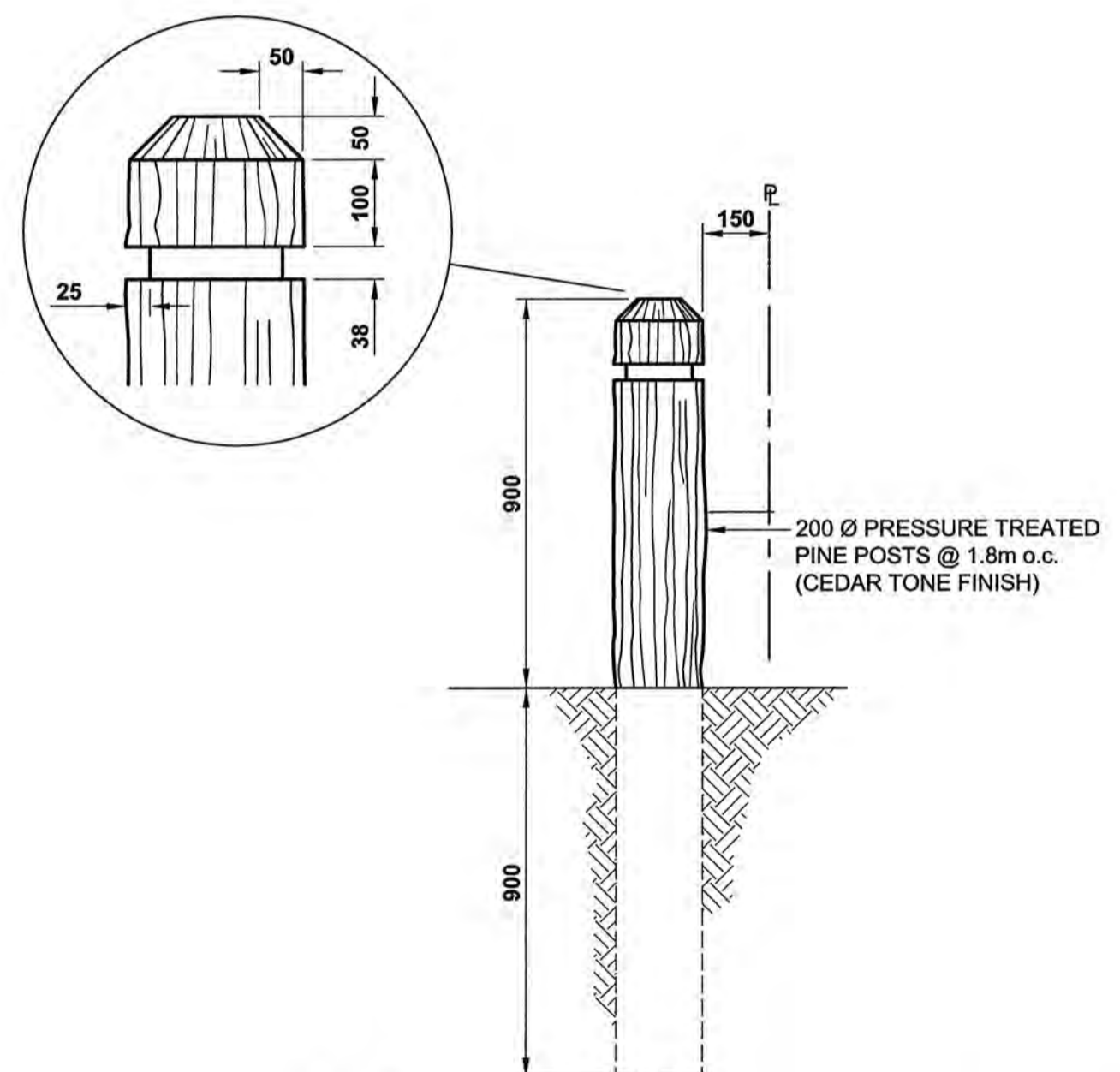
**TYPICAL TREE PLANTING (ON A SLOPE) DETAIL**  
SCALE: NTS



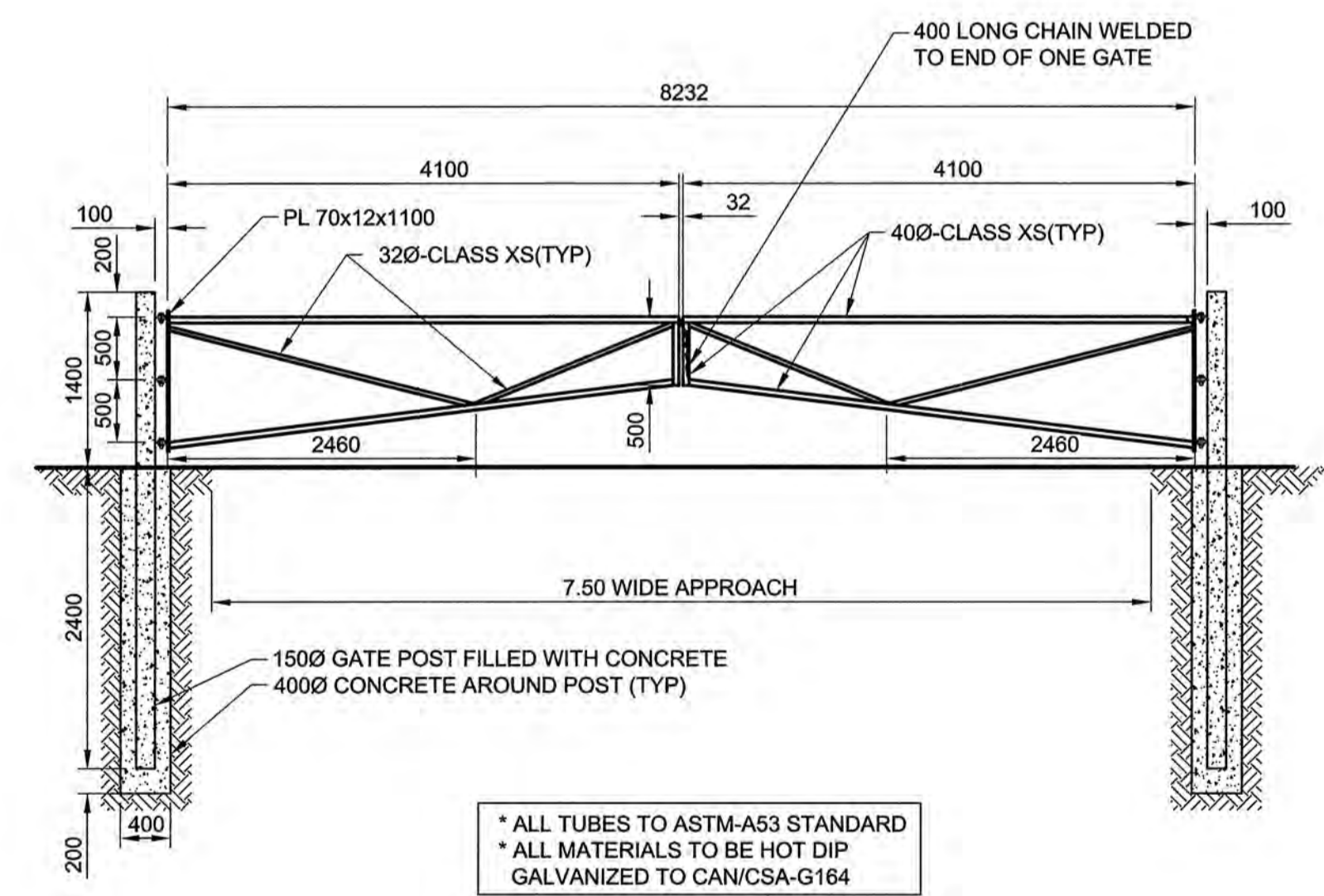
**TYPICAL TURFSTONE DETAIL**  
SCALE: NTS



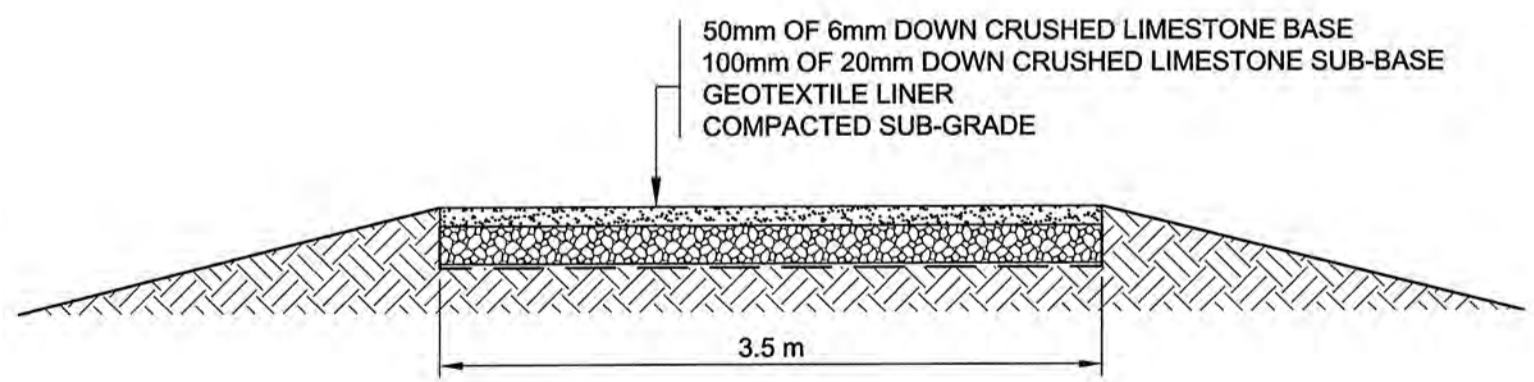
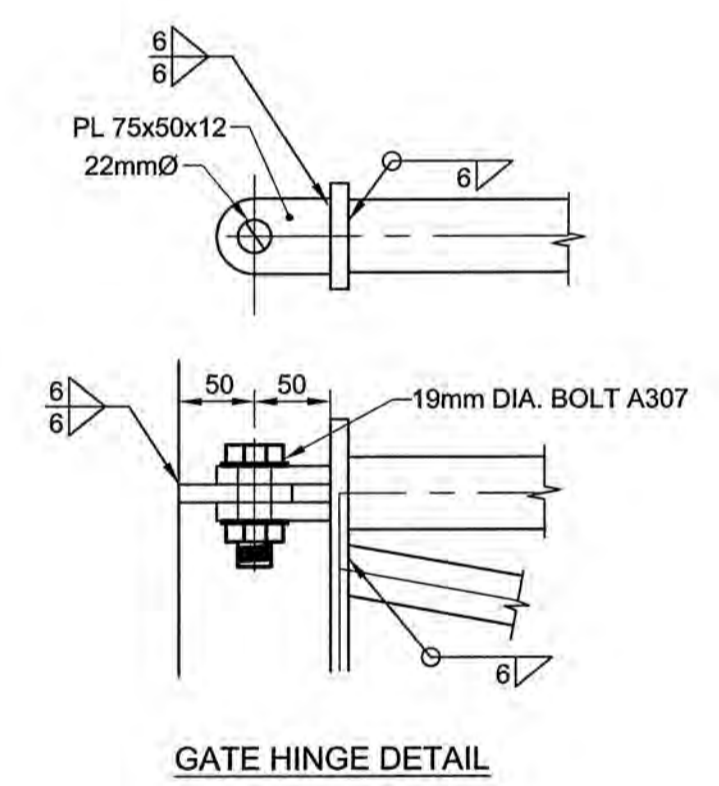
**TYPICAL SHRUB PLANTING DETAIL**  
SCALE: NTS



**WOOD BOLLARD**  
SCALE: NTS



**DOUBLE SWING GATE**



**GRAVEL PATHWAY DETAIL**  
SCALE: NTS

**APEGM**  
Certificate of Authorization  
AECOM Canada Ltd.  
No. 4671 Date: July 27, 2012

BID OPPORTUNITY NO.587-2012

| LOCATION APPROVED UNDERGROUND STRUCTURES   |                         |          |         |
|--|-------------------------|----------|---------|
| SUPR. U/G STRUCTURES COMMITTEE   | DATE                    |          |         |
| NOTE: LOCATION OF UNDERGROUND STRUCTURES AS SHOWN ARE BASED ON THE BEST INFORMATION AVAILABLE. BUT NO GUARANTEE IS GIVEN THAT ALL EXISTING UTILITIES ARE SHOWN OR THAT THE GIVEN LOCATIONS ARE EXACT. CONFIRMATION OF EXISTENCE AND EXACT LOCATION OF ALL SERVICES MUST BE OBTAINED FROM THE INDIVIDUAL UTILITIES BEFORE PROCEEDING WITH CONSTRUCTION. |                         |          |         |
| 0  | ISSUED FOR CONSTRUCTION | 12/07/27 | WJH/KLC |
| NO.  | REVISIONS               | YYMMDD   | BY      |

|                           |               |
|---------------------------|---------------|
| <b>AECOM</b>              |               |
| DESIGNED BY               | JAT           |
| CHECKED BY                | gt            |
| DRAWN BY                  |               |
| APPROVED BY               | Sydney Lelben |
| HOR. SCALE                | 1:250         |
| VERT. SCALE               | -             |
| RELEASED FOR CONSTRUCTION |               |
| DATE                      | 12/07/30      |

PROFESSIONAL'S SEAL

the manitoba association of architects

L. JOY VIBERG  
member no. 125  
July 27/12

CONSULTANT DRAWING NO.  
60221826-02-L-101-ROX.dwg

**THE CITY OF WINNIPEG**  
Winnipeg  
**WATER & WASTE DEPARTMENT**

**CONSTRUCTION OF FLOOD CONTROL STRUCTURE AT PEMBINA HIGHWAY & BEAUJOLAIS COULEE**

LANDSCAPING MISCELLANEOUS DETAILS

SHEET 8 OF 19  
CITY DRAWING NUMBER  
LD-5847  
REV 0