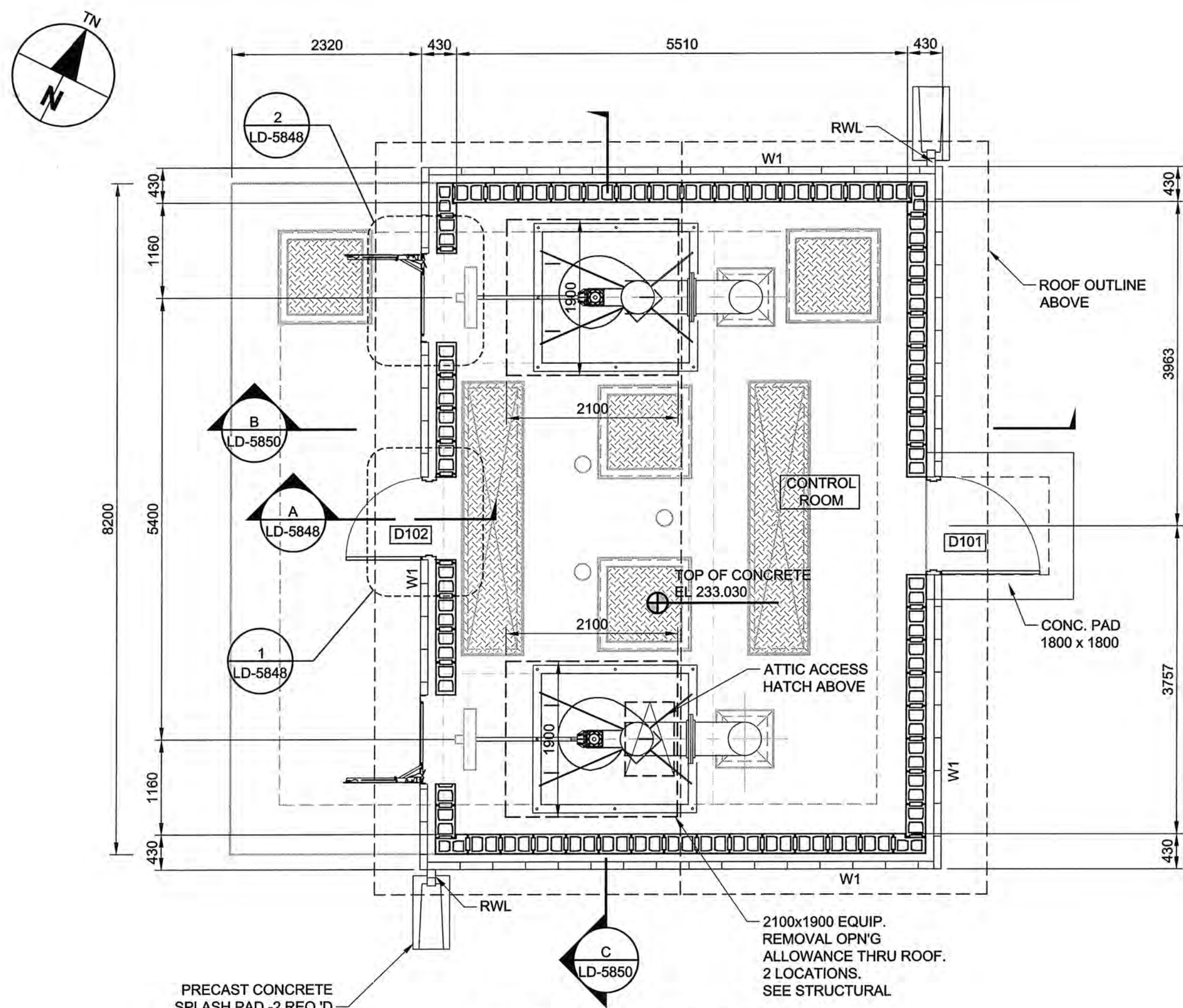
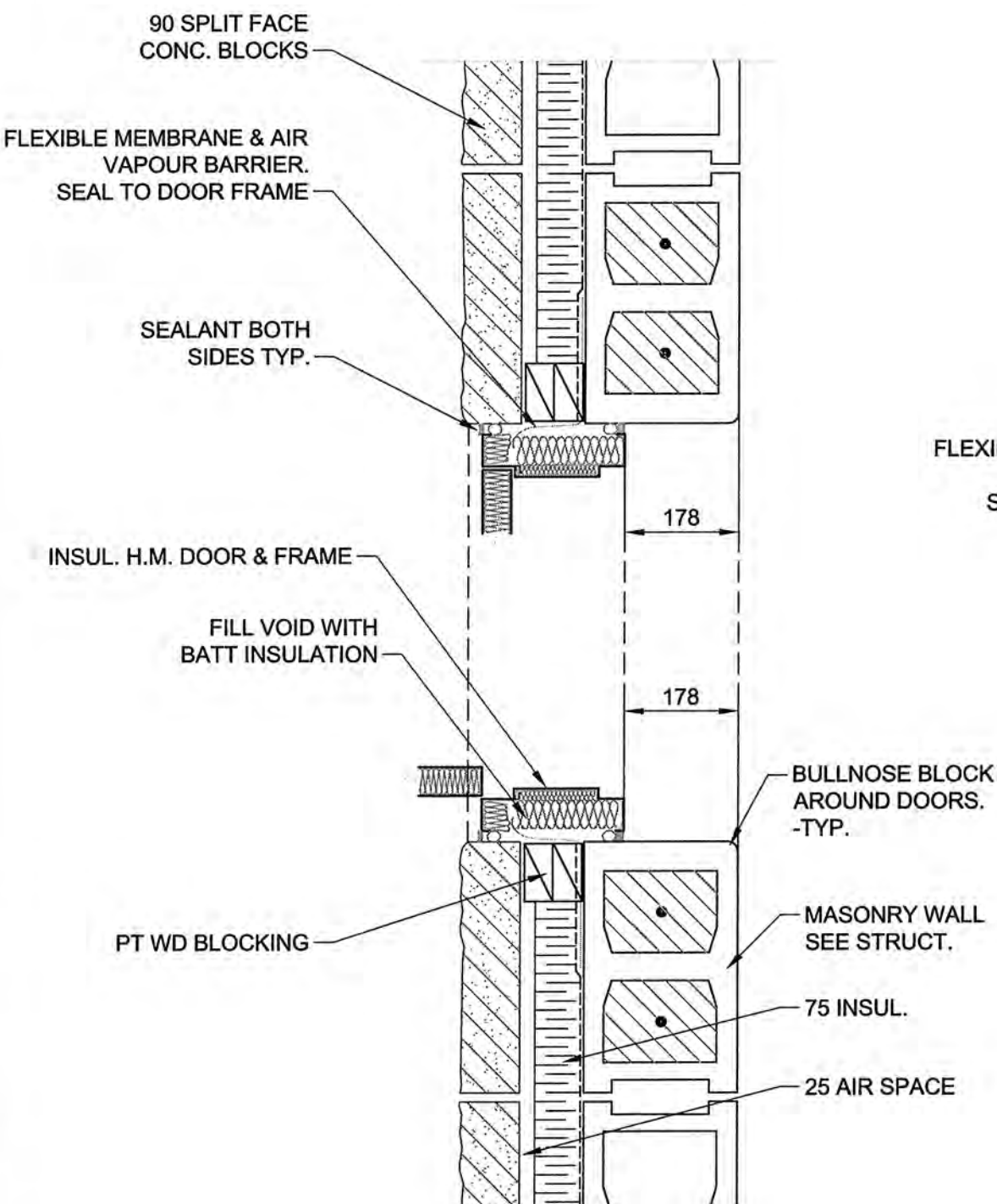


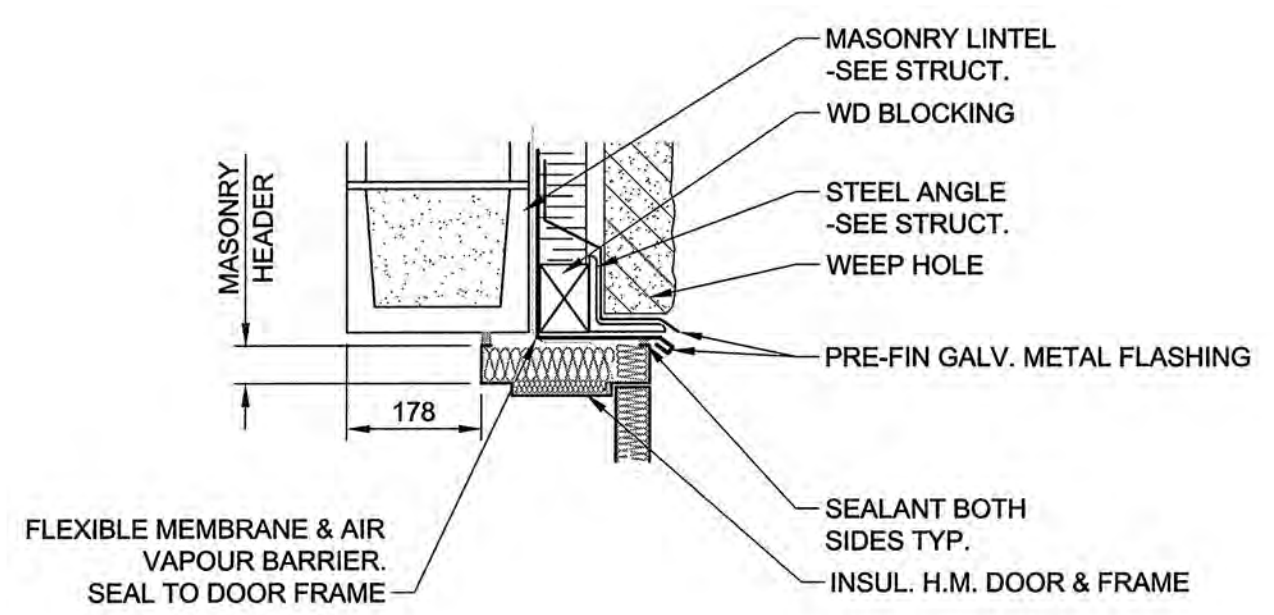
D SIZE 22" x 34" (559mm x 864mm) PLOT: 12/07/27 3:44:46 PM AECOM REVIEW DRFT CHK MVB AECOM FILE NAME: 60221826-02-A-101-ROX.dwg Saved By: cooparkl



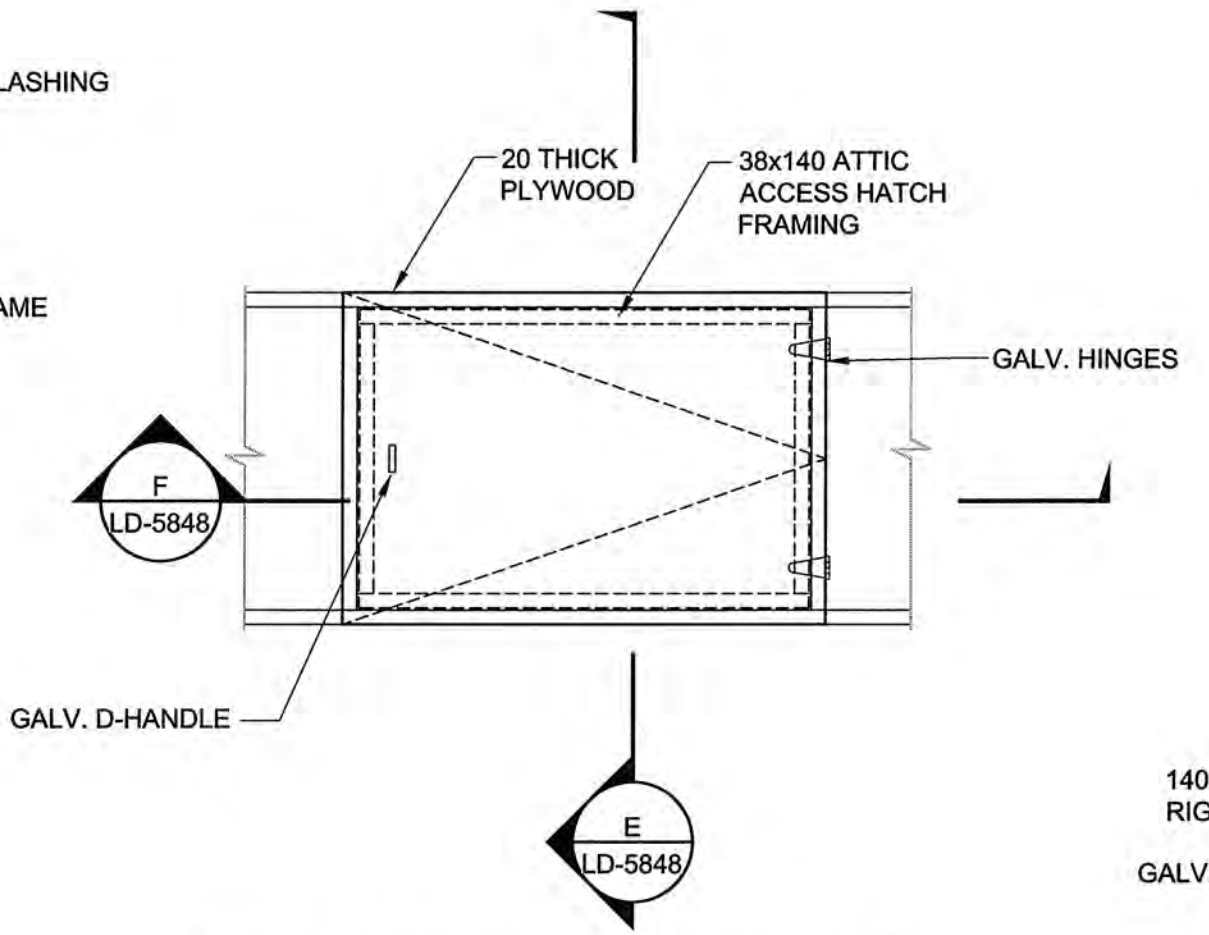
PLAN AT ELEV 233.030
VALVE SHED Scale 1:50



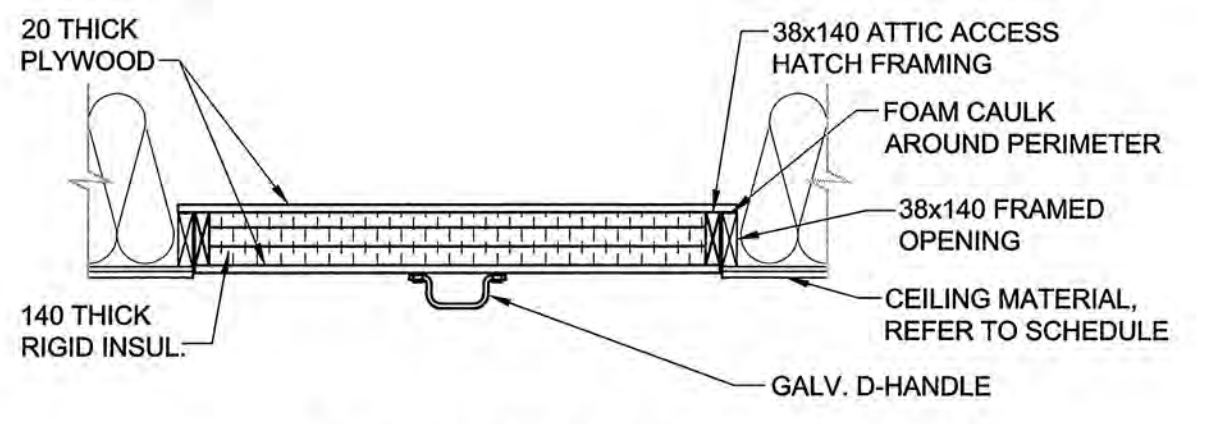
1 DETAIL - DOOR JAMB
LD-5848 Scale 1:10



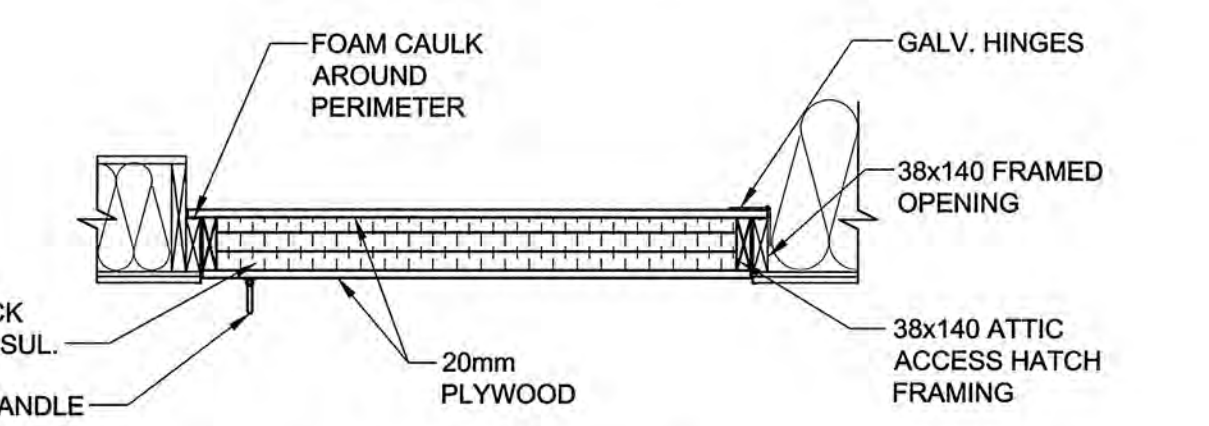
A SECTION
LD-5848 Scale 1:10



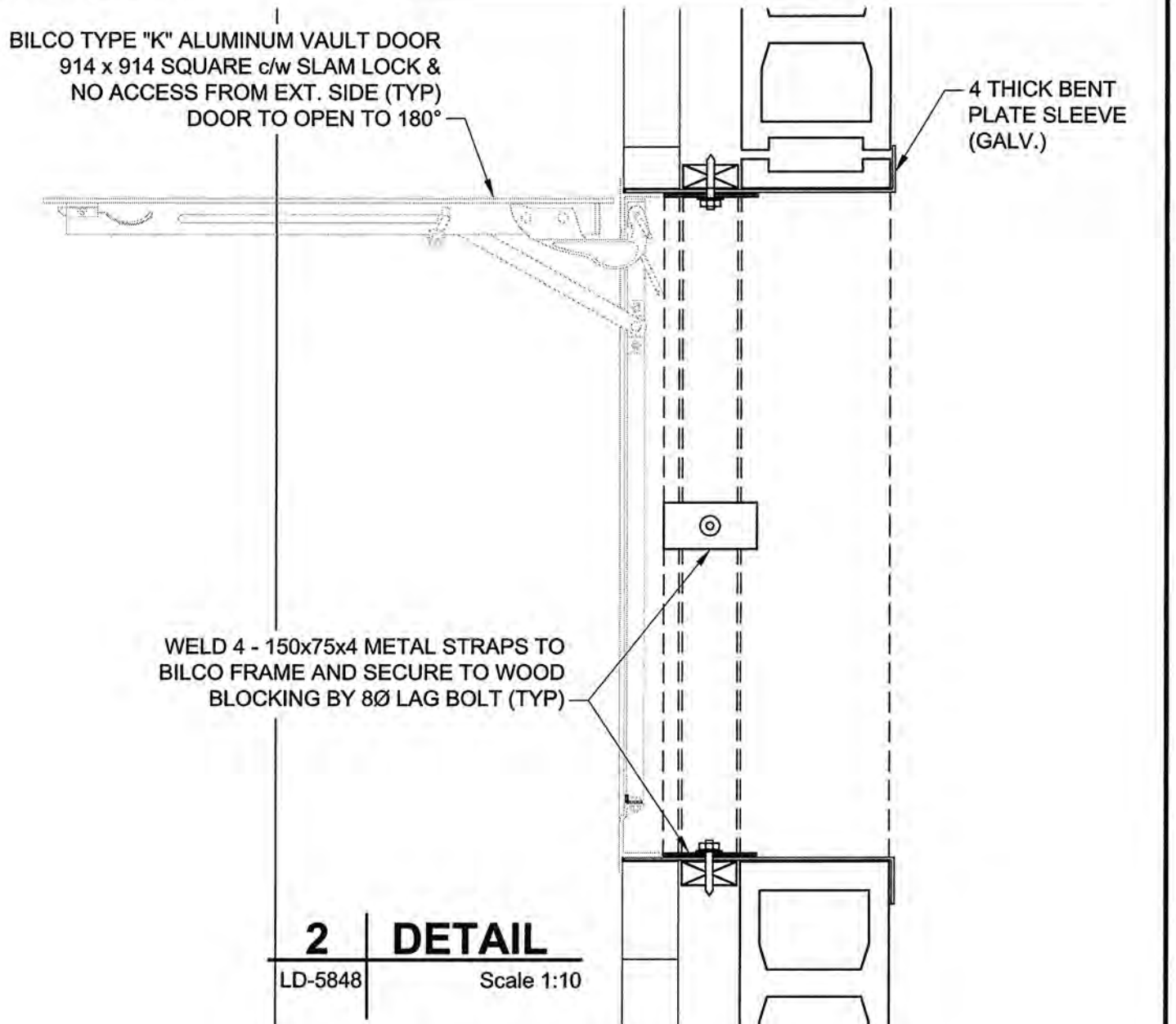
ATTIC ACCESS HATCH PLAN
Scale 1:20



E SECTION
LD-5848 Scale 1:20



F SECTION
LD-5848 Scale 1:20



2 DETAIL
LD-5848 Scale 1:10

ROOM FINISH SCHEDULE														
ROOM NAME	FLOOR			WALLS								CEILING		REMARKS
	MAT.	FINISH	BASE	NORTH		EAST		SOUTH		WEST		MAT.	FINISH	
				MAT.	FINISH	MAT.	FINISH	MAT.	FINISH	MAT.	FINISH			
CONTROL RM	CONCRETE	-	-	C.M.U.	PT1	C.M.U.	PT1	C.M.U.	PT1	C.M.U.	PT1	METAL	P-FIN	-

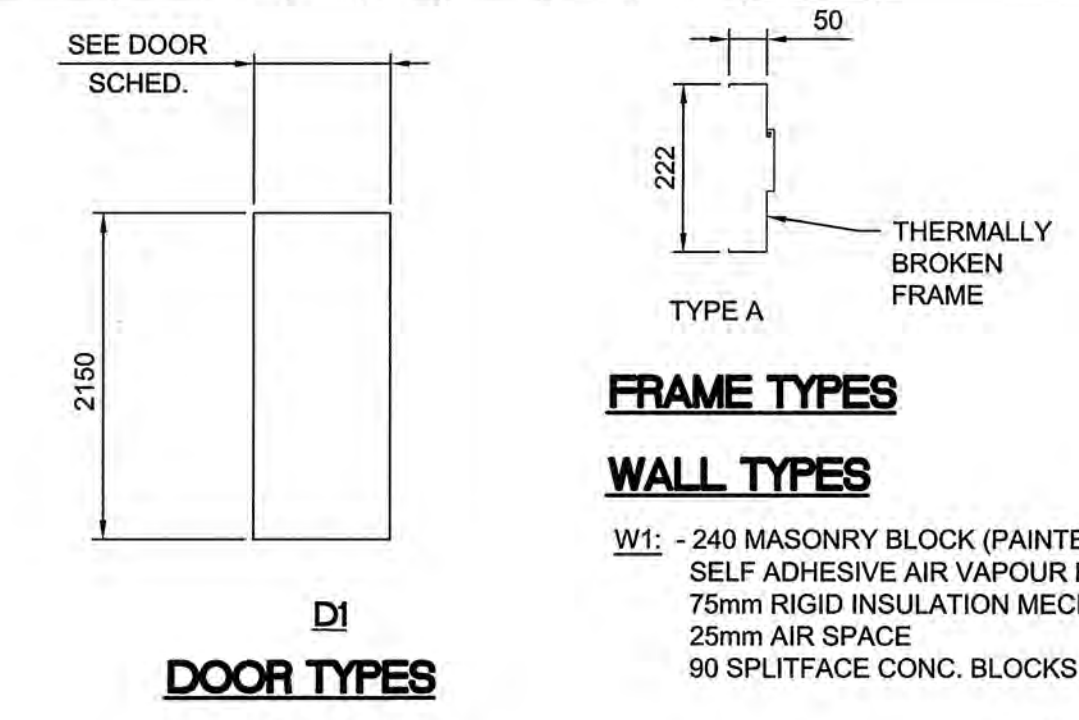
PT1 = EXPOXY PAINT
P-FIN = PRE-FINISHED
PT2 = ALKALYD IND. GLOSS ENAMEL (COLOR T.B.D.)
PT3 = ALKALYD IND. GLOSS ENAMEL (COLOR T.B.D.)

DOOR SCHEDULE (DOORS TO SWING 180°)																	
DOOR										FRAME				REMARKS			
DOOR NUMBER	DOOR TYPE	WIDTH	HEIGHT	THICKNESS	MATERIAL	FINISH	REINFORCEMENT	LOUVER	GLASS	FRAME TYPE	DETAIL		MATERIAL	FINISH	FIRE RATING	HARDWARE GROUP	REMARKS
											HEAD	JAMB					
101	D1	1070	2150	45	METAL	PT2	-	-	-	A	-	-	METAL	PT3	-	1	THERMALLY BROKEN FRAME
102	D1	915	2150	45	METAL	PT2	-	-	-	A	-	-	METAL	PT3	-	1	THERMALLY BROKEN FRAME

HARDWARE SCHEDULE:

GROUP	DESCRIPTION	TA	McKINNEY	26D
GROUP 1 D101	3 BUTT HINGES	TA 314 4-1/2"x4" NRP 98EO	VON DUPRIN	626
	1 EXIT DEVICE W/ THUMB LATCH AND LOCK			
	1 CHECK CHAIN	W29 1/3 + 2/7	KN CROWDER	CA
	1 WEATHERSTRIP	W24S - 900mm	KN CROWDER	CA
	1 DOOR SWEEP	CT11 - 900mm	KN CROWDER	CA
GROUP 2 D102	1 THRESHOLD	4041	LCN	689
	1 CLOSER			
	3 BUTT HINGES	TA 314 4-1/2"x4" NRP 98EO	VON DUPRIN	626
	1 CHECK CHAIN	W29 1/3 + 2/7	KN CROWDER	CA
	1 WEATHERSTRIP	W24S - 900mm	KN CROWDER	CA

BLANK (NO HARDWARE) ON EXTERIOR



CODE ANALYSIS NBCC 2010:
MAY 2, 2012
FLOOD CONTROL PUMP SHELTER AND VANDALISM PROTECTION ST. NORBERT, MANITOBA
BUILDING CODE ANALYSIS
BUILDING MAIN FUNCTION: TO PROTECT PUMPS FROM THE ELEMENTS AND VANDALISM.

1.0 DESCRIPTION

- BUILDING AREA: 54 M2 (581 SF) TOTAL AREA
- STORIES: (1)
- SPRINKLERED: NO
- OCCUPANCY TYPE: GROUP F, DIVISION 3
- OCCUPANT LOAD: 0
- STREETS: (1)

2.0 REGULATION

1 THIS PROJECT MAY BE REGULATED UNDER 3.2.2.76, GROUP F, DIVISION 3, UP TO 3 STOREYS.

2 CLASSIFICATION

1 REQUIREMENTS

- LESS THAN 1000 M2 (1076 SF) BUILDING AREA (CONFORMS: 54 M2)
- LESS THEN (1) STORIES (CONFORMS: 1)
- UNSPRINKLERED (CONFORMS)
- TYPE "F-3" OCCUPANCY (CONFORMS)
- (1) STREET (CONFORMS)

2 STIPULATIONS

- MAY BE COMBUSTIBLE OR NON-COMBUSTIBLE CONSTRUCTION

3.0 GENERAL CONFORMANCE

1 3.4.2.5 - TRAVEL DISTANCE:

- .1 MAXIMUM TRAVEL DISTANCE TO AN EXIT IS 30M (98') (CONFORMS: MAX TRAVEL OF 4.4M).

2 3.4.2.1 - NUMBER OF EXITS:

- .1 (1) EXIT IS REQUIRED (LESS THAN 200 M2) (CONFORMS: 3 PROVIDED).

3 3.2.3.1 - LIMITING DISTANCE:

- .1 NO ISSUES.

NOTES:

- REFER TO OTHER DRAWINGS FOR THE SUBSTRUCTURE
- THESE DRAWINGS COVERS THE SUPER STRUCTURE ONLY

NOTES:

- COLOUR TO BE CHOSEN FROM STD. COLOUR CHART.
- EXTERIOR MASONRY TO BE COATED WITH AN ANTI GRAFFITI SEALER.

BID OPPORTUNITY NO. 587-2012

APEGN
Certificate of Authorization
AECOM Canada Ltd.
No. 4671 Date: July 21, 2012

NO.	ISSUED FOR CONSTRUCTION	12/07/27	WJd/KLC
NO.	REVISIONS	YY/MM/DD	BY
0	ISSUED FOR CONSTRUCTION	12/07/27	WJd/KLC

AECOM

DESIGNED BY GGP
CHECKED BY KK
DRAWN BY DEP
APPROVED BY [Signature]
HOR. SCALE AS SHOWN
VERT. SCALE N/A
DATE 12/07/30

PROFESSIONAL'S SEAL
PROVINCE OF MANITOBA
REGISTERED PROFESSIONAL ENGINEER
BISWANGER
2017/07/27
CONSULTANT DRAWING NO.
60221826-02-A-101-ROX.dwg

THE CITY OF WINNIPEG
WATER & WASTE DEPARTMENT
CONSTRUCTION OF FLOOD CONTROL STRUCTURE AT PEMBINA HIGHWAY & BEAUJOLAIS COULEE
ARCHITECTURAL
FLOOD CONTROL STRUCTURE
PLAN, DETAILS AND SCHEDULES

SHEET 9 OF 19
CITY DRAWING NUMBER
LD-5848
REV 0