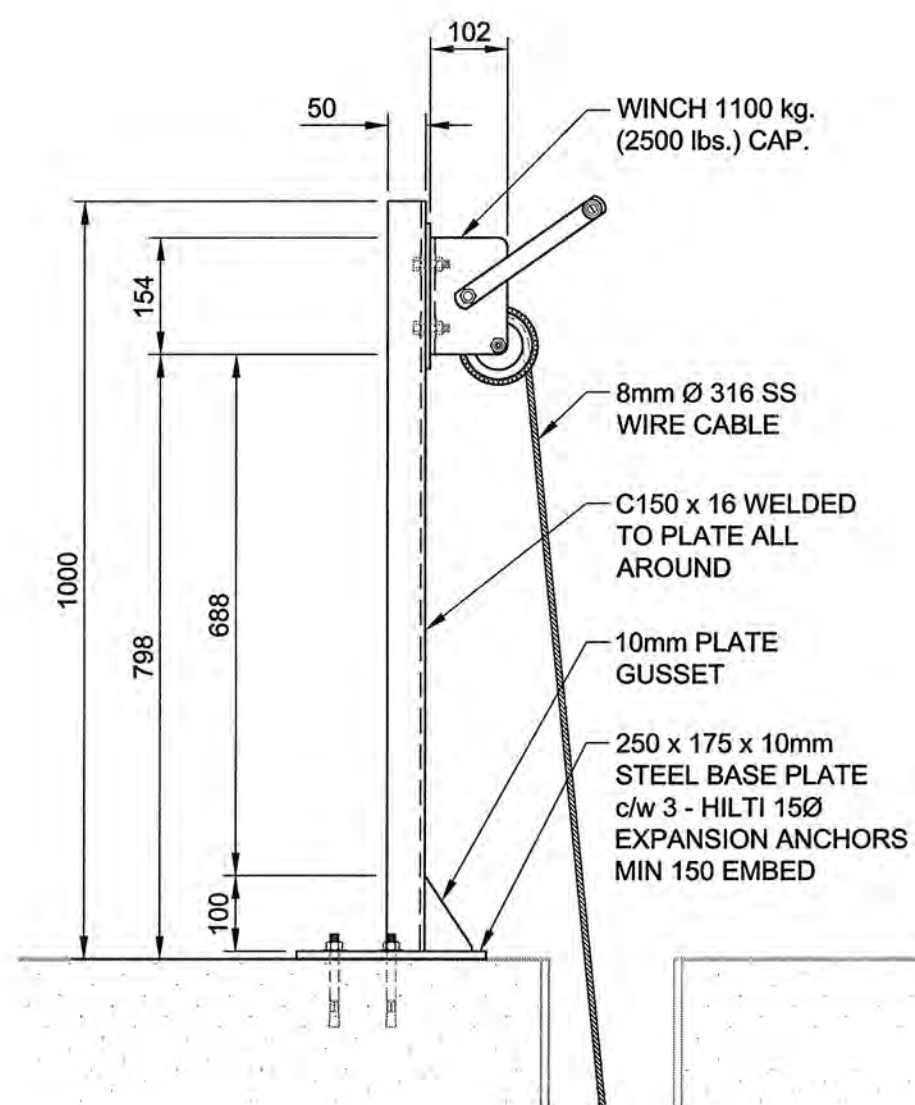
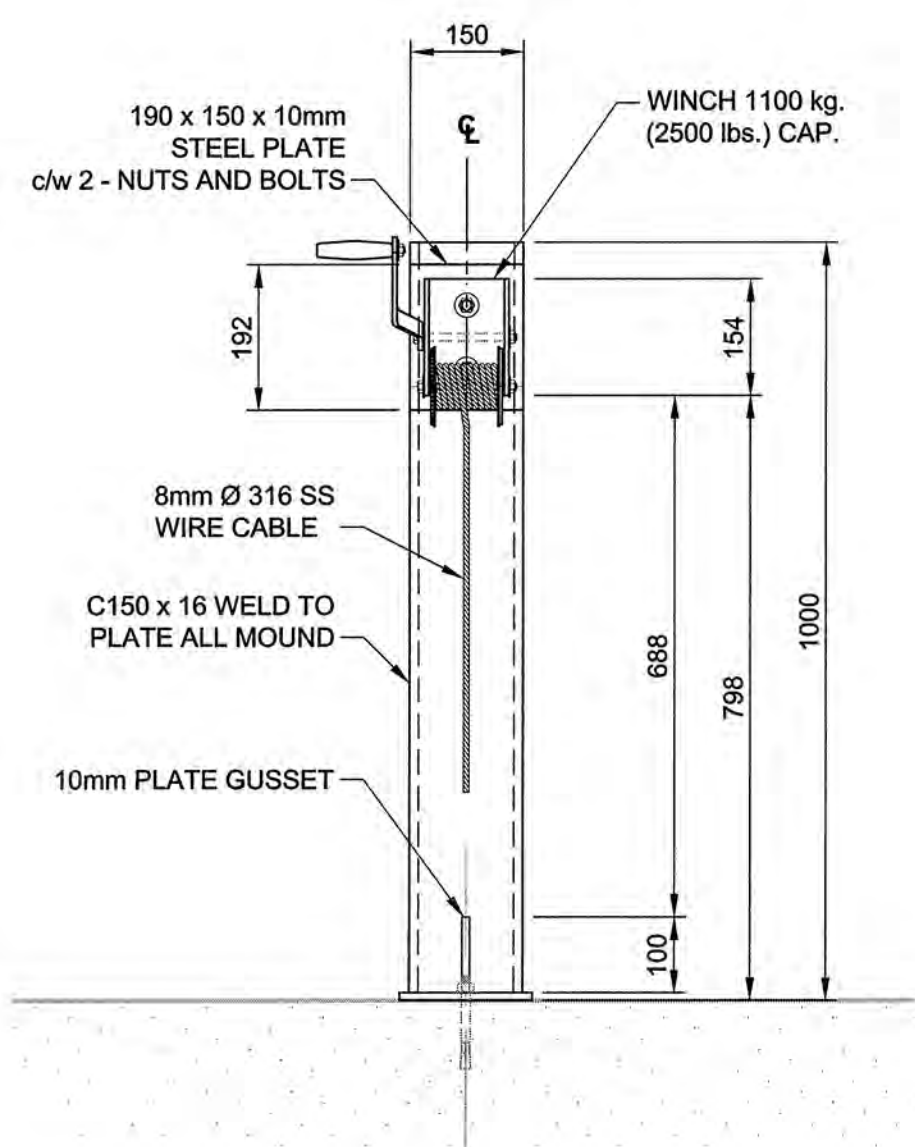


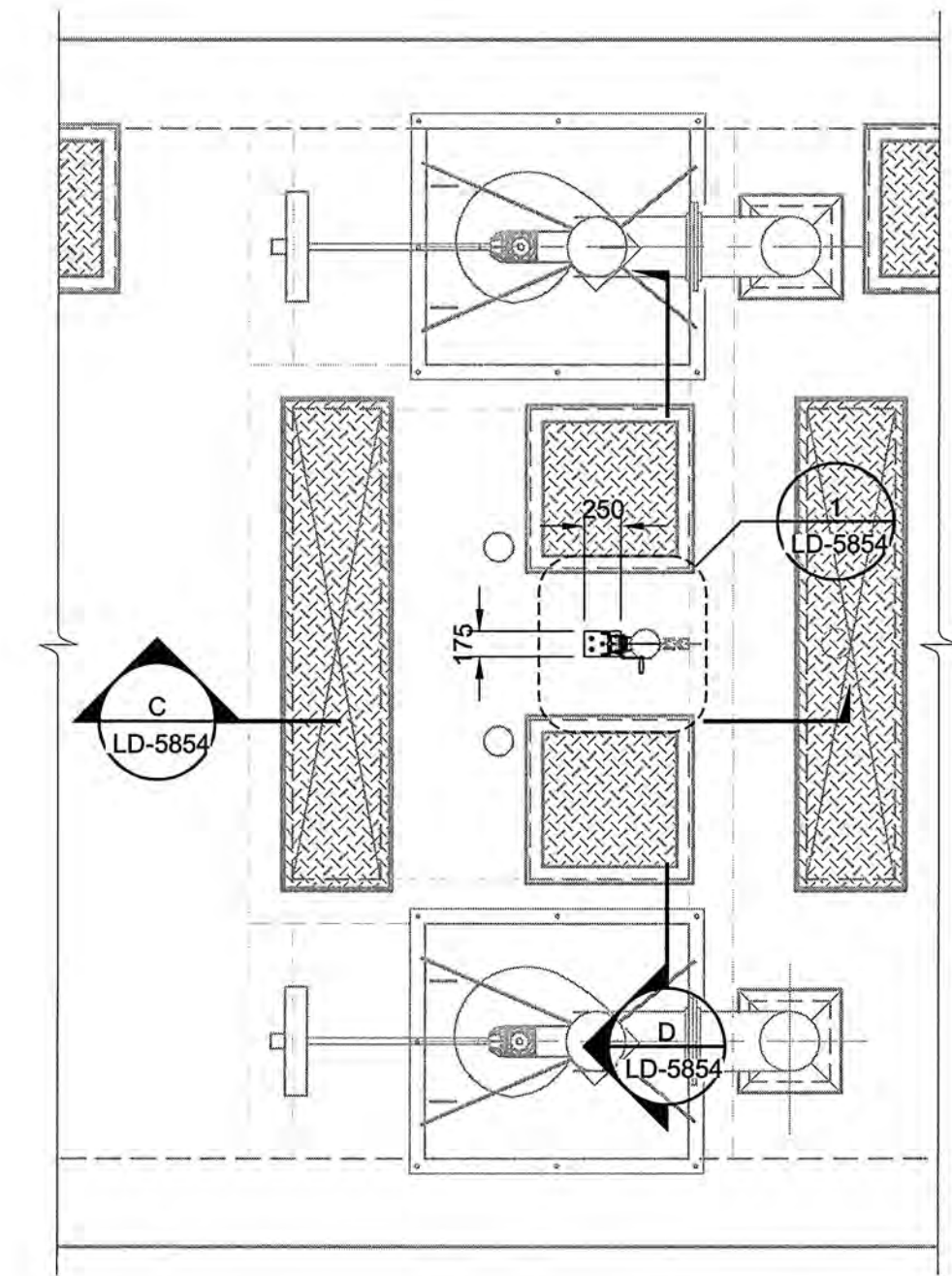
1 | **DETAIL**
Scale 1:10



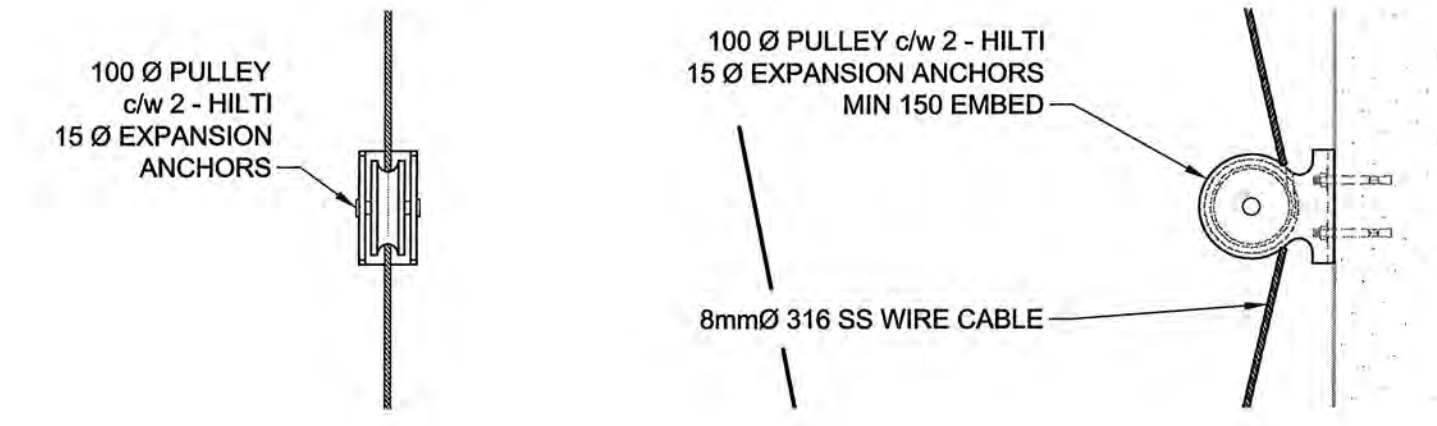
2 | **DETAIL**
Scale 1:10



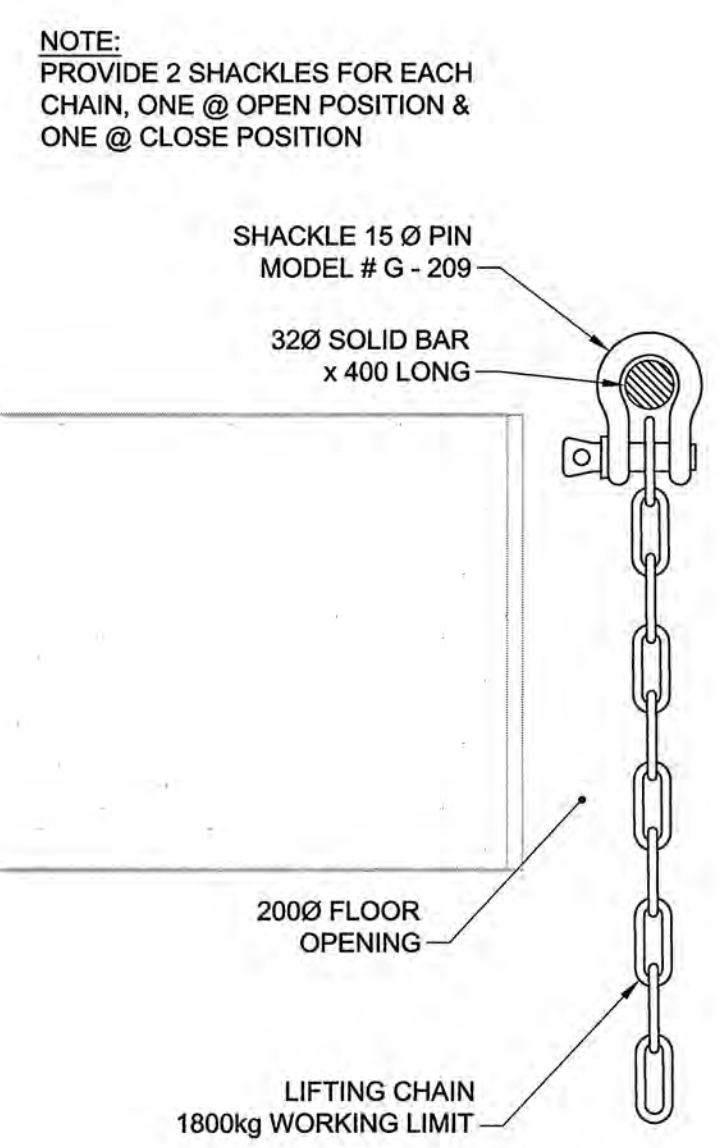
3 | **DETAIL**
Scale 1:10



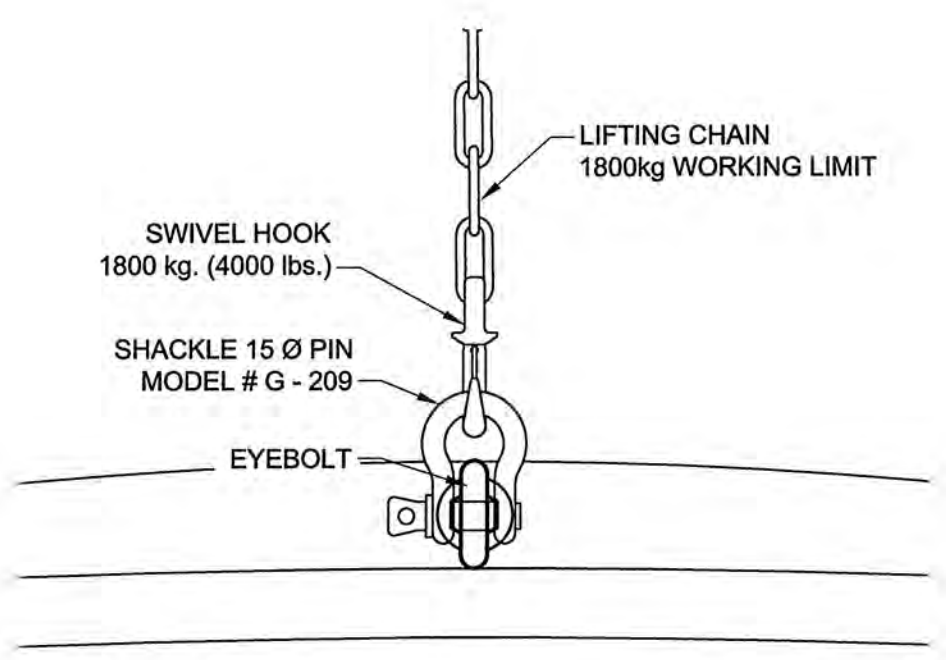
A | **PARTIAL PLAN**
Scale 1:50



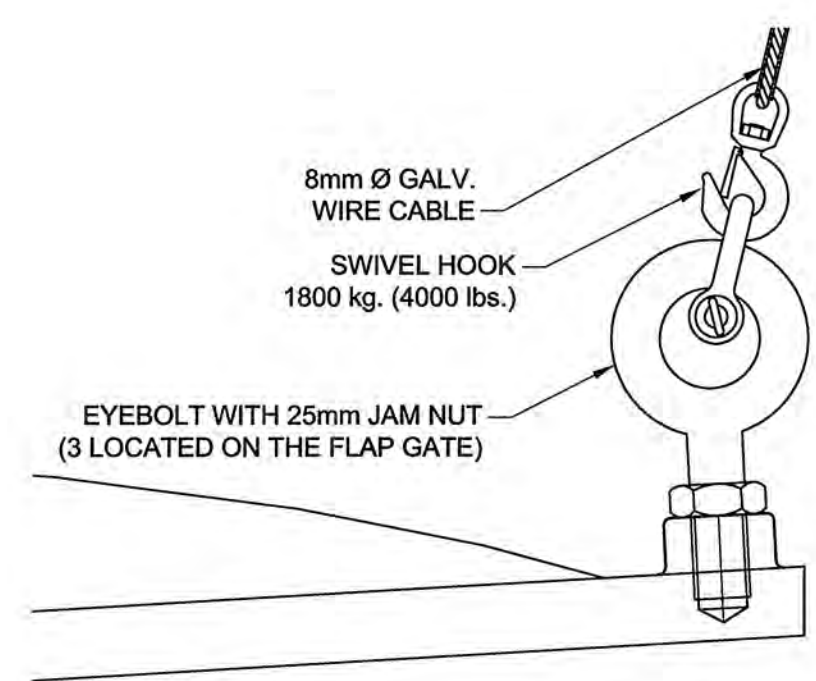
4 | **DETAIL**
Scale 1:10



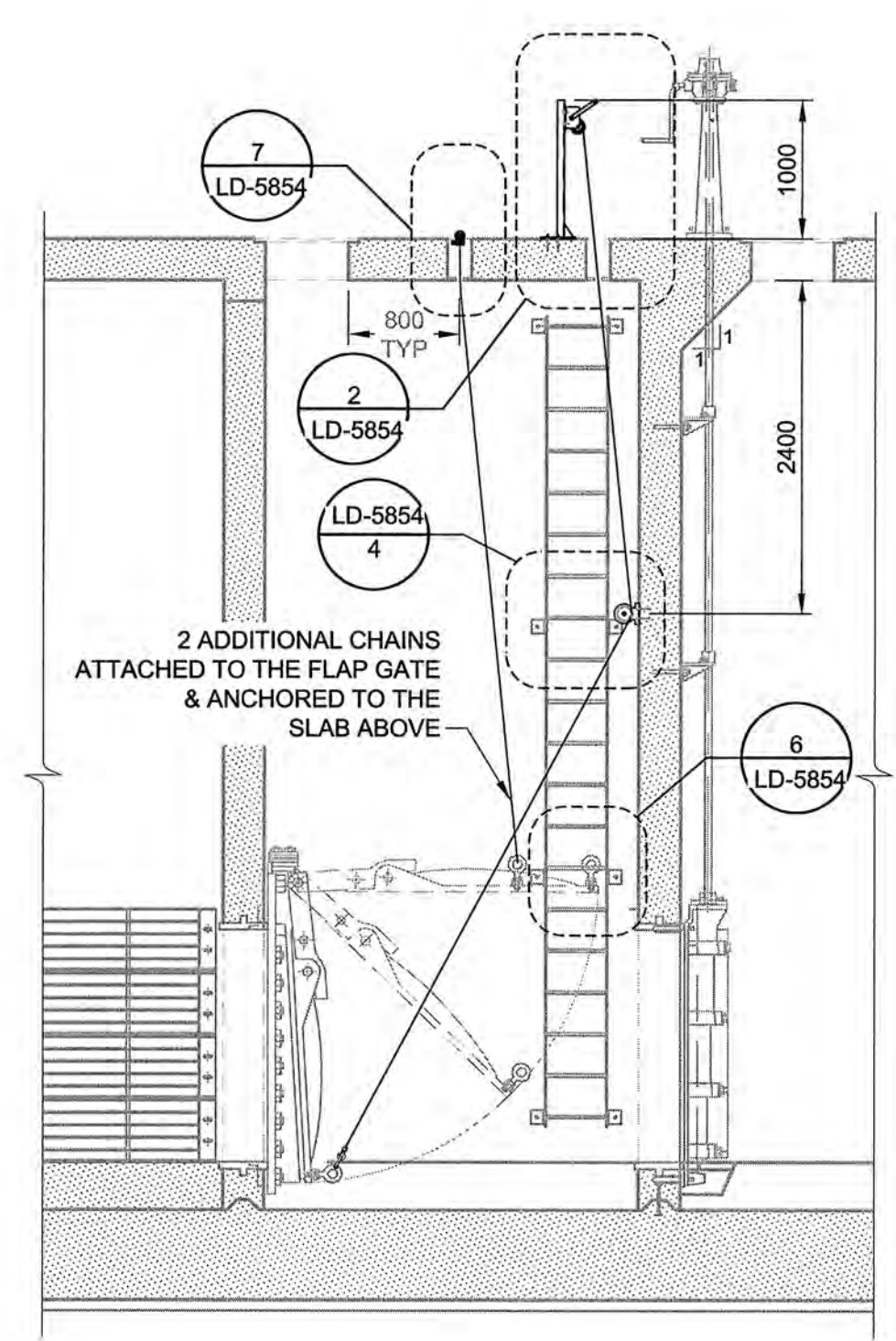
7 | **CHAIN RESTRAINT DETAIL**
2 REQ'D
Scale 1:10



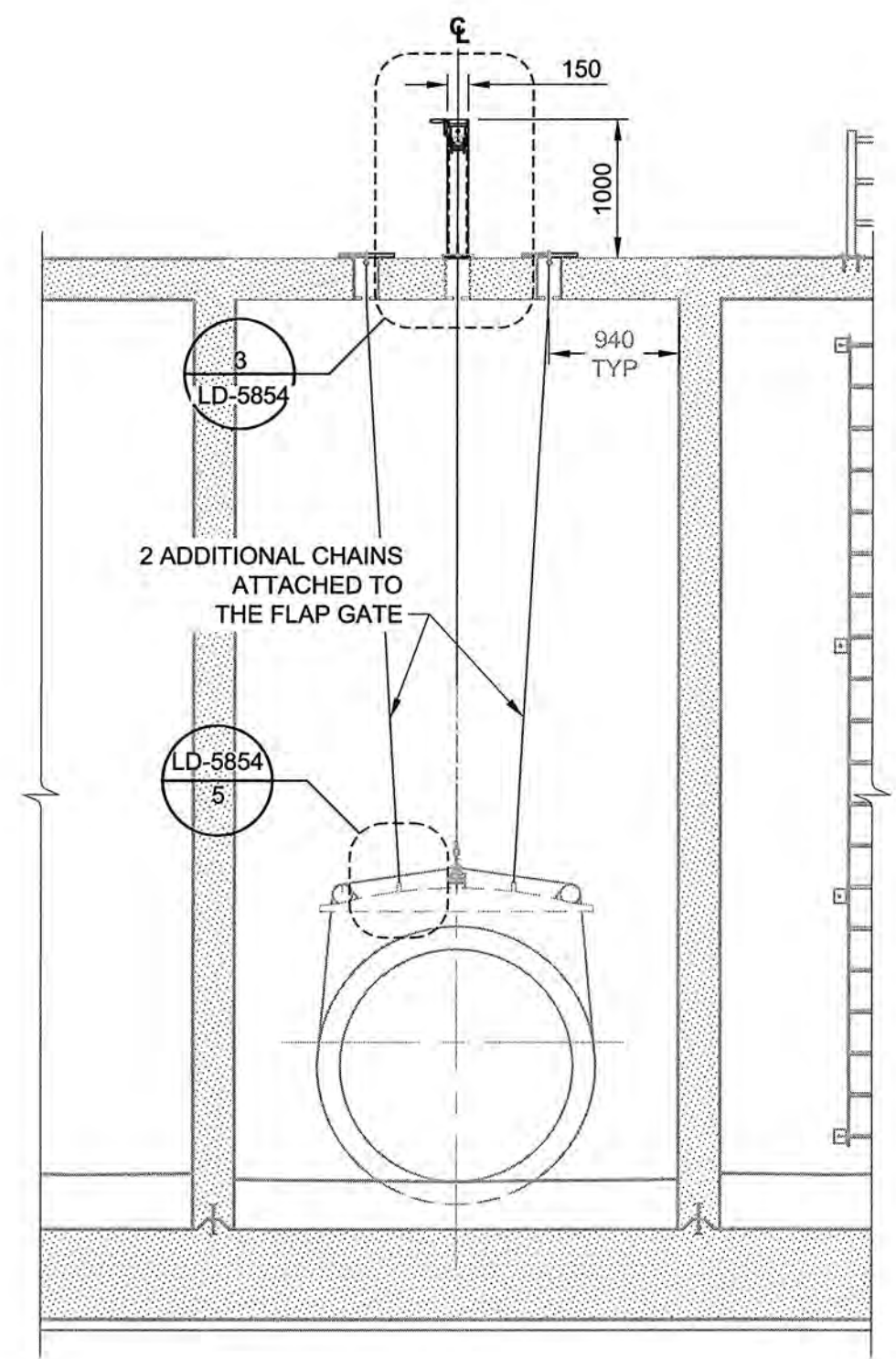
5 | **DETAIL**
Scale 1:5



6 | **DETAIL**
Scale 1:5



C | **SECTION**
Scale 1:50



D | **SECTION**
Scale 1:50

METRIC
WHOLE NUMBERS INDICATE MILLIMETRES
DECIMALIZED NUMBERS INDICATE METRES

APEGM
Certificate of Authorization
AECOM Canada Ltd.
No. 4671 Date: July 21, 2012

DESIGNED BY	GGP	CHECKED BY	KK
DRAWN BY	GLG	APPROVED BY	<i>[Signature]</i>
HOR. SCALE	AS SHOWN	RELEASED FOR CONSTRUCTION	
VERT. SCALE	N/A	DATE	12/07/30
NO.	ISSUED FOR CONSTRUCTION	12/07/27	WJH/KLC
NO.	REVISIONS	YYMMDD	BY

AECOM

PROFESSIONAL'S SEAL
PROVINCE OF MANITOBA
BISWANGER
REGISTERED PROFESSIONAL ENGINEER
CONSULTANT DRAWING NO.
60221826-02-S-402-ROX.dwg

BID OPPORTUNITY NO. 587-2012

THE CITY OF WINNIPEG
WATER & WASTE DEPARTMENT

CONSTRUCTION OF FLOOD CONTROL STRUCTURE
AT PEMBINA HIGHWAY & BEAUJOLAIS COULEE

STRUCTURAL
FLOOD CONTROL STRUCTURE
WINCH, FLAP GATE & LIFTING DEVICE DETAILS

SHEET 15 OF 19
CITY DRAWING NUMBER
LD-5854
REV 0