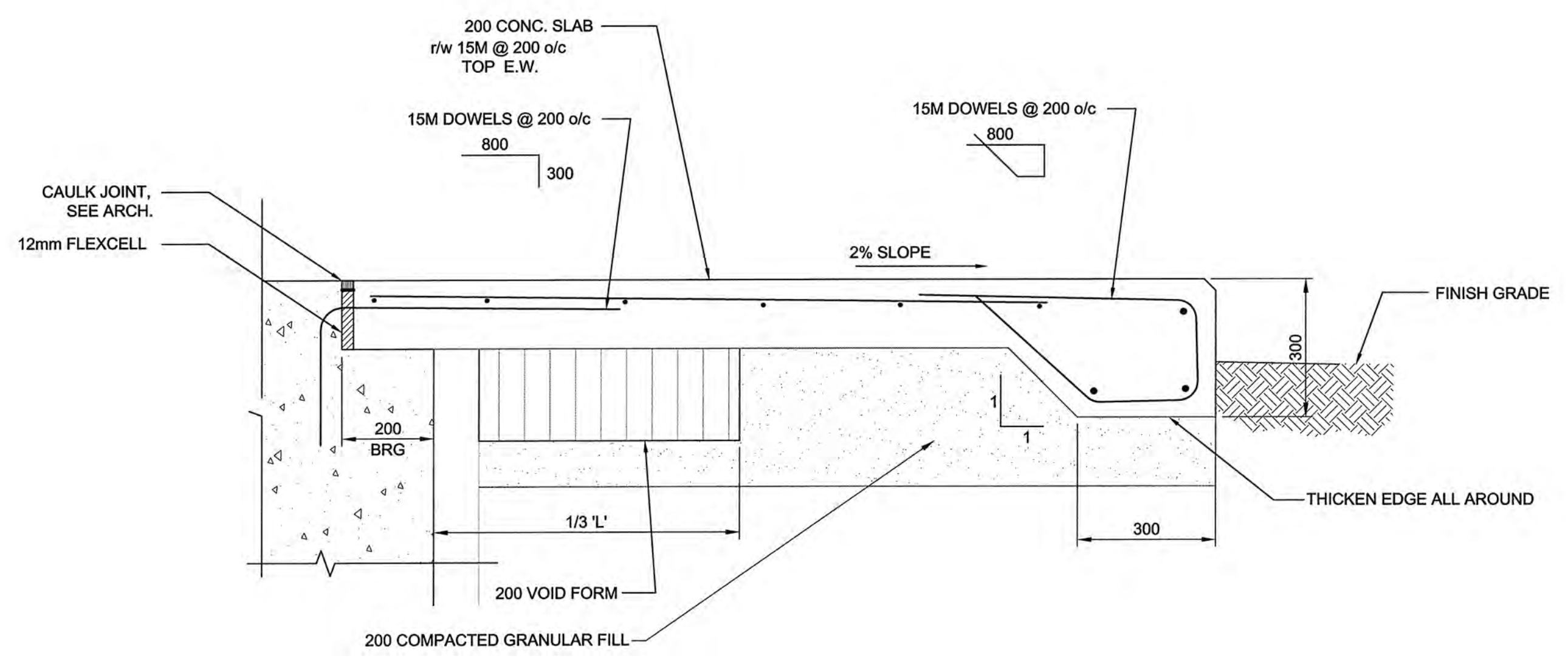


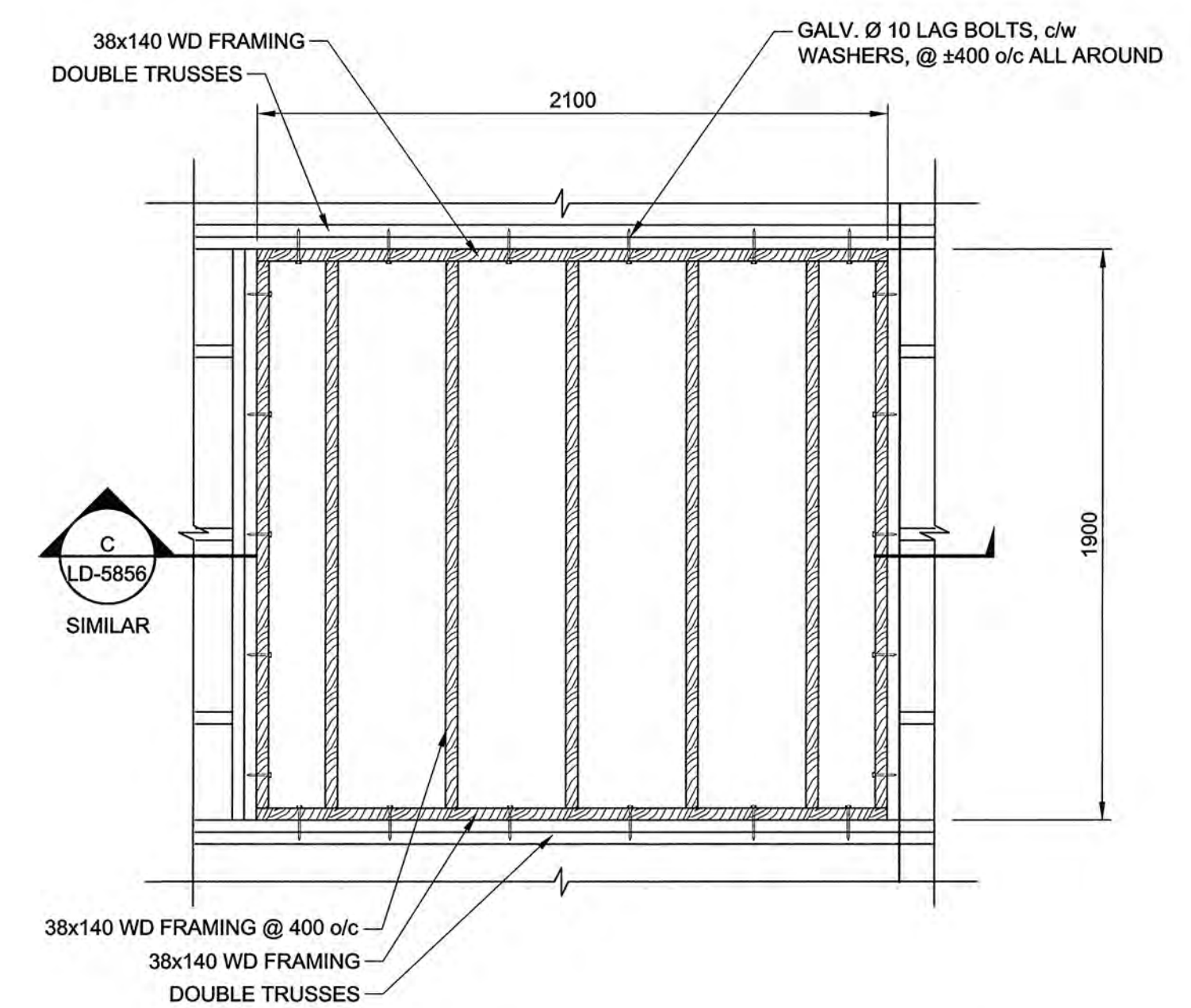
D SIZE 22" x 34" (559mm x 864mm)

PLOT: 12/07/27 2:43:09 PM

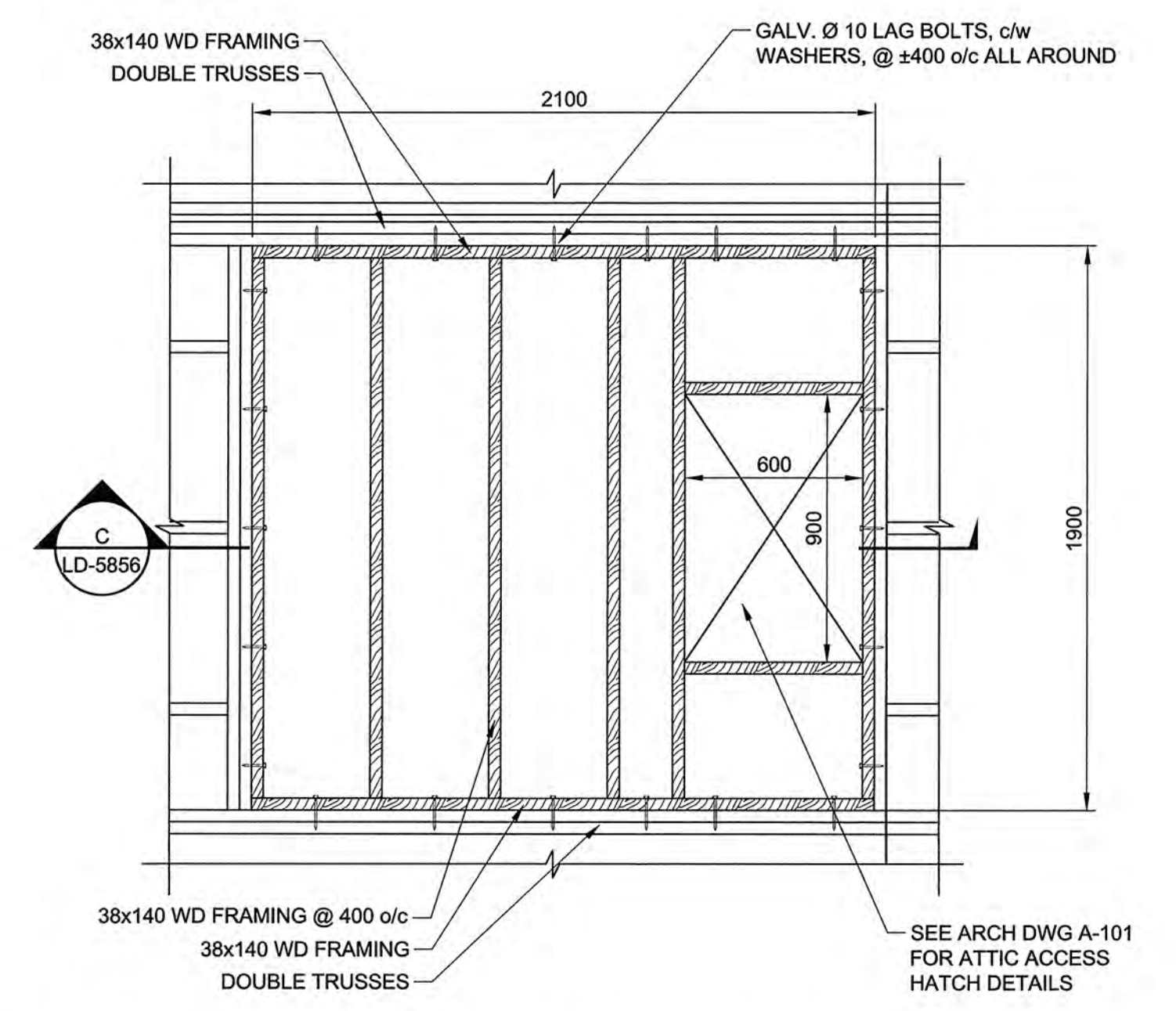
AECOM FILE NAME: 60221826-02-S-401-ROX.dwg Saved By: ccoparkl



A SECTION THRU CONCRETE PAD
LD-5855 Scale 1:10



C EQUIPMENT OPENING FRAMING PLAN
LD-5855 Scale 1:20



D EQUIPMENT OPENING FRAMING PLAN WITH ATTIC ACCESS
LD-5855 Scale 1:20

BID OPPORTUNITY NO. 587-2012

AECOM REVIEW DRAFT CHK AR

METRIC
WHOLE NUMBERS INDICATE MILLIMETRES
DECIMALIZED NUMBERS INDICATE METRES

APEGM
Certificate of Authorization
AECOM Canada Ltd.
No. 4671 Date: July 21, 2002

NO.	REVISIONS	YYMMDD	BY
0	ISSUED FOR CONSTRUCTION	12/07/27	DEPWJd

AECOM	
DESIGNED BY	GGP
CHECKED BY	KK
DRAWN BY	DEP
APPROVED BY	<i>Biswanger</i>
HOR. SCALE	AS SHOWN
VERT. SCALE	N/A
DATE	12/07/30

PROFESSIONAL'S SEAL
PROVINCE OF MANITOBA
BISWANGER
REGISTERED PROFESSIONAL ENGINEER
2012676
CONSULTANT DRAWING NO.
60221826-02-S-401-ROX.dwg

THE CITY OF WINNIPEG
WATER & WASTE DEPARTMENT

INSTALLATION OF CONCRETE CULVERT AT PEMBINA HIGHWAY & BEAUJOLAIS COULEE

STRUCTURAL
FLOOD CONTROL STRUCTURE
DETAILS

SHEET 18 OF 19
CITY DRAWING NUMBER
LD-5857
REV 0