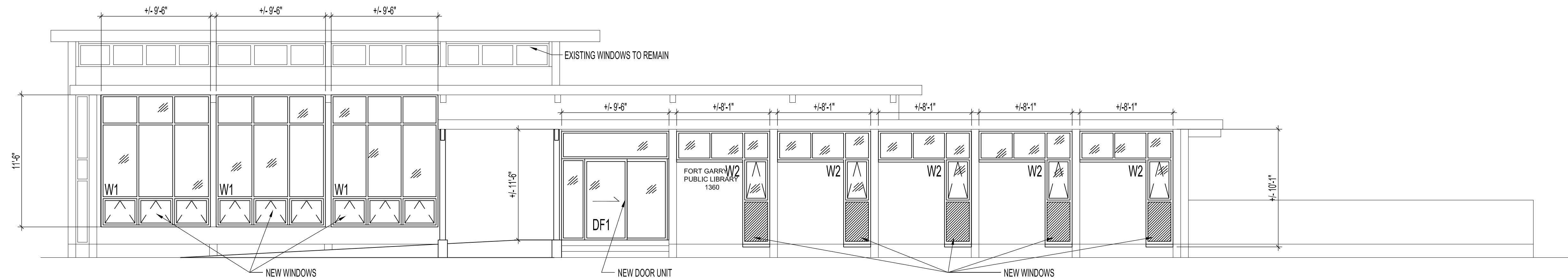
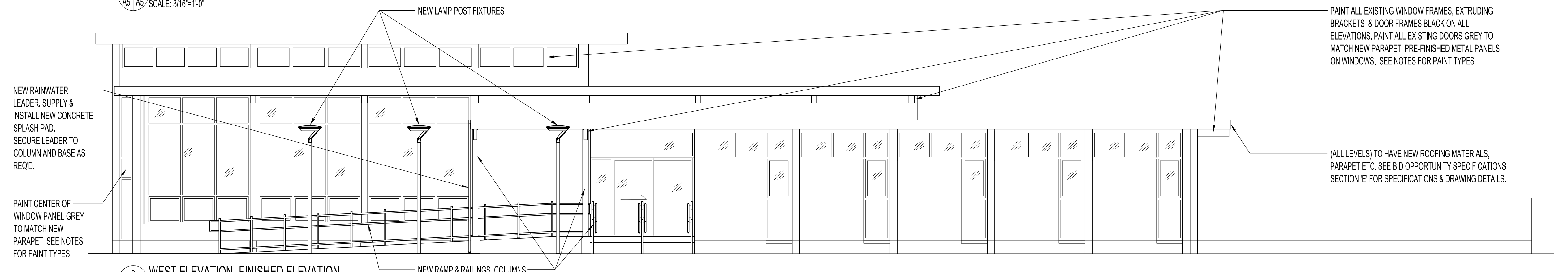


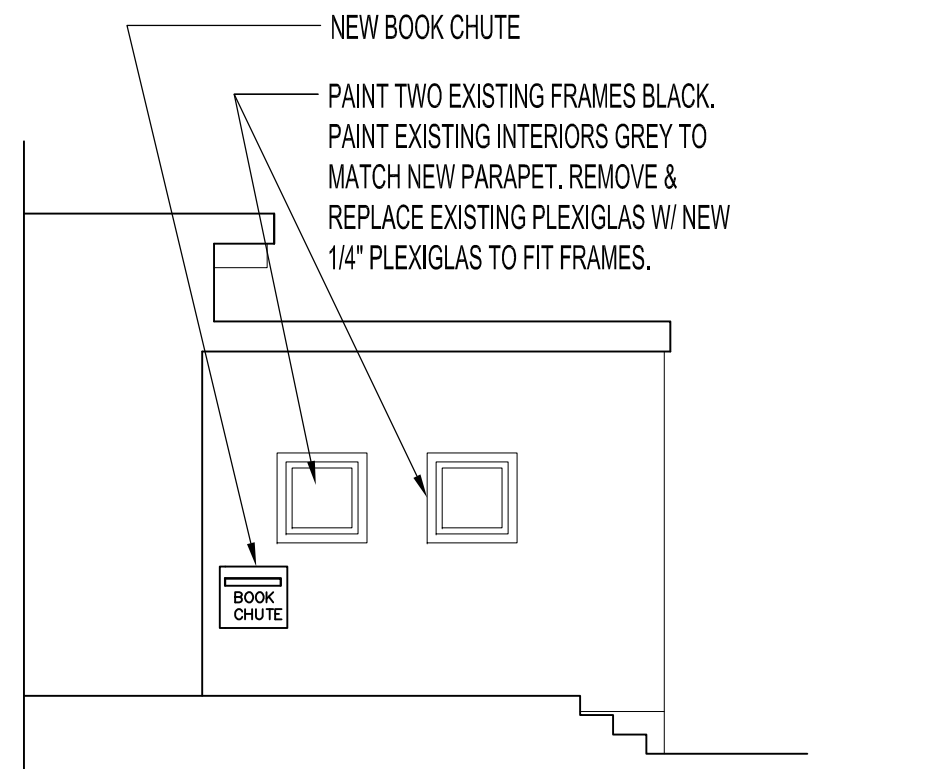
FILE NAME: 2011-096/0.dwg/A5
 DATE: 2012.07.24
 SHEET TITLE: BUILDING ELEVATIONS-NEW WINDOW LOCATIONS & WALL REPAIRS
 PROJECT No: 2011-096
 ADDRESS: 1360 PEMBINA HIGHWAY



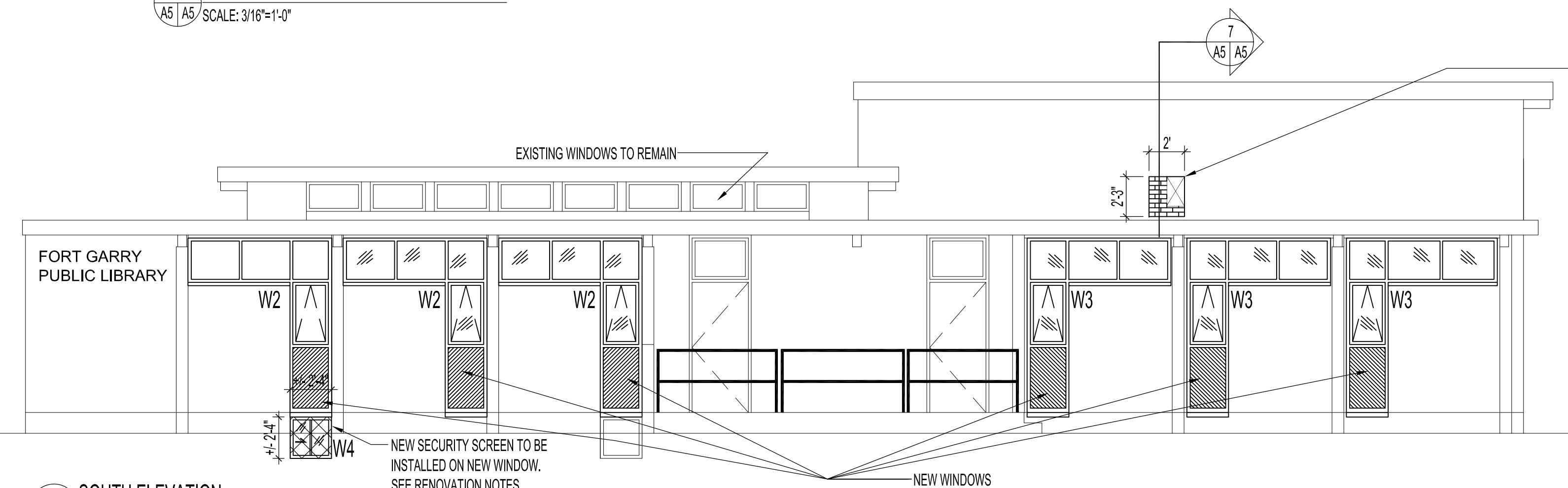
1 WEST ELEVATION
 A5 | A5 SCALE: 3/16"=1'-0"



2 WEST ELEVATION - FINISHED ELEVATION
 A5 | A5 SCALE: 3/16"=1'-0"



3 PARTIAL NORTH ELEVATION - FRONT ENTRANCE
 A5 | A5 SCALE: 3/16"=1'-0"

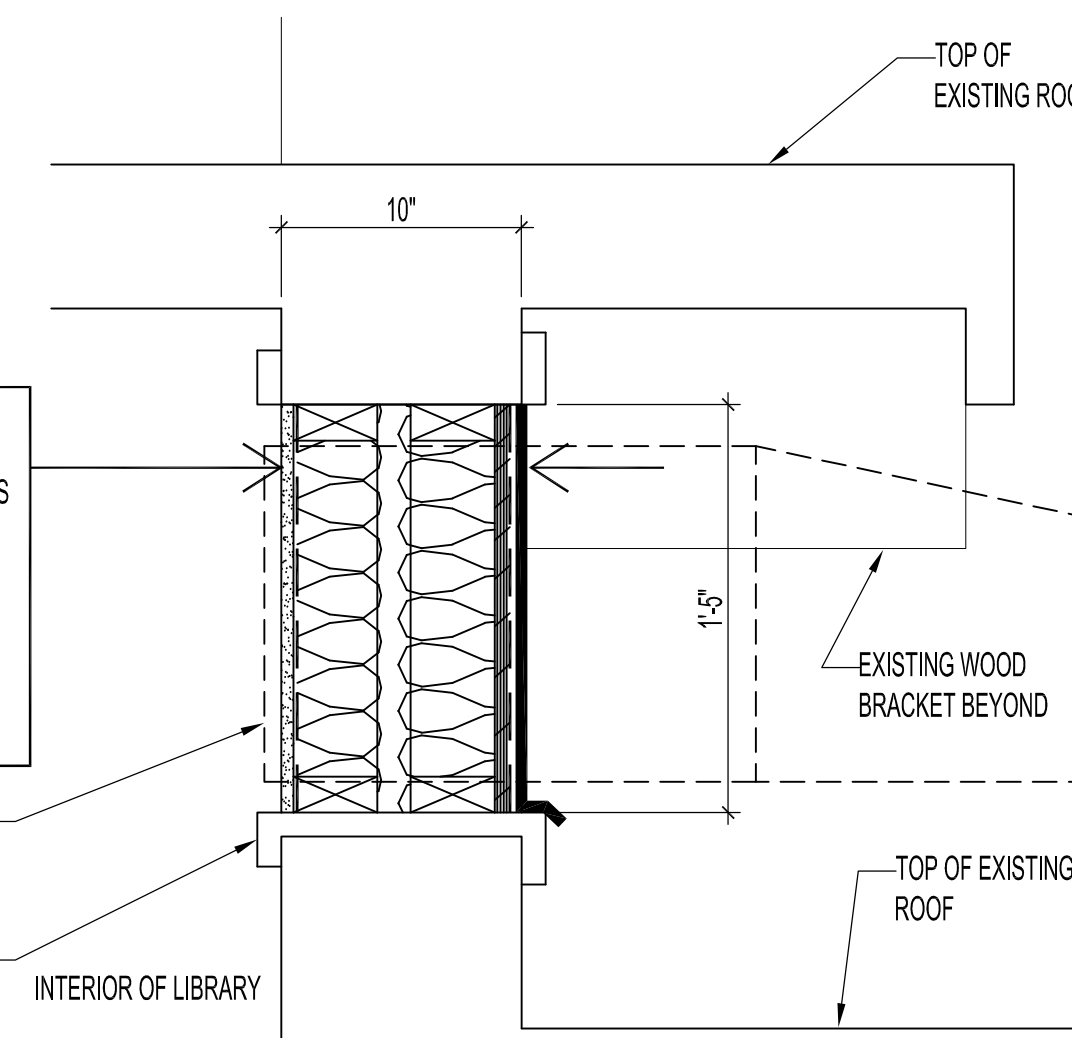


4 SOUTH ELEVATION
 A5 | A5 SCALE: 3/16"=1'-0"

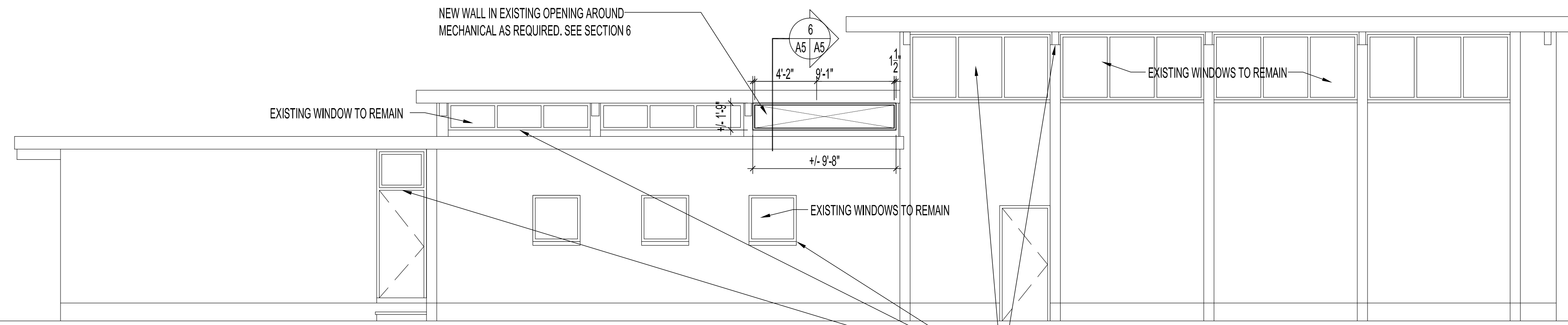
NEW WALL IN EXISTING OPENING AROUND PERIMETER OF NEW MECH (APPROX. 1'-0" x 1'-8"), SEE SECTION & RENOVATION NOTE 4

-1/2" GYPSUM BOARD, PATCH & PAINT
 -VAPOUR BARRIER
 2 X 4 WOOD STUDS @ 16" O.C. INTERIOR & EXTERIOR SIDES
 -R20 BATT INSULATION
 -1/2" PLYWOOD SHEATHING
 -BUILDING WRAP
 -PREFINISHED METAL PANEL W/ BOTTOM DRIP LEDGE & PERIMETER CAULKING (COLOUR TO MATCH NEW ROOF PARAPET)

HVAC SYSTEM UNIT THRU TO ROOF. PROVIDE PROPER WALL SUPPORT & FINISHES AROUND UNIT. SEE MECH. DWG
 EXISTING WOOD WINDOW FRAME



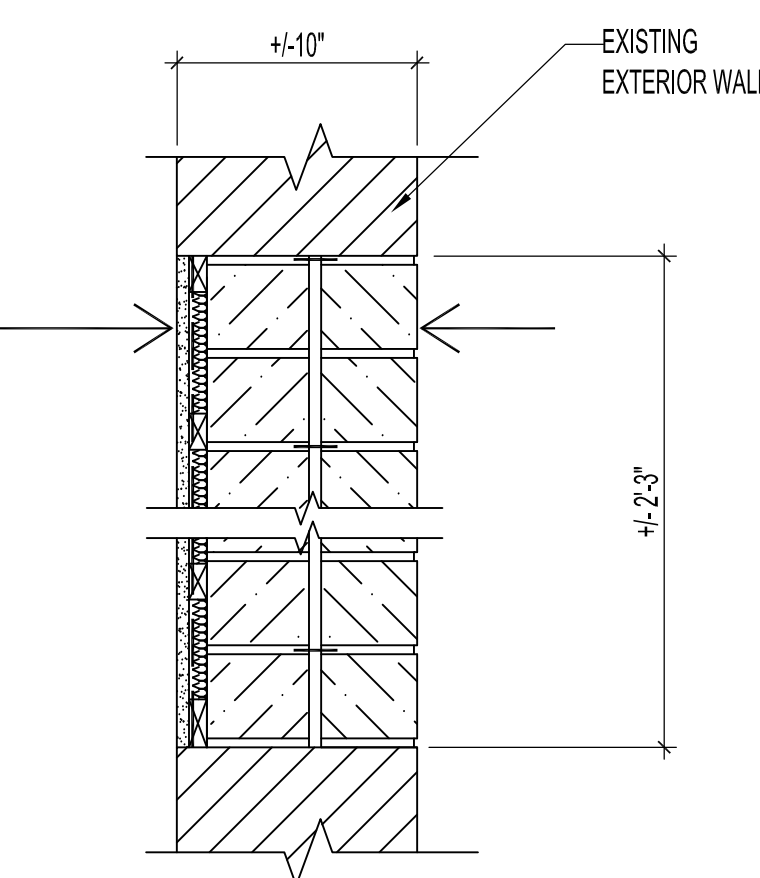
6 SECTION - CLERESTORY WINDOW OPENING
 A5 | A5 SCALE: 1/2"=1'-0"



5 EAST ELEVATION
 A5 | A5 SCALE: 3/16"=1'-0"

PAINT ALL EXISTING WINDOW FRAMES, EXTRUDING BRACKETS & DOOR FRAMES BLACK ON ALL ELEVATIONS. PAINT ALL EXISTING DOORS GREY TO MATCH NEW PARAPET, PRE-FINISHED METAL PANELS ON WINDOWS. SEE NOTES FOR PAINT TYPES.

-1/2" GYPSUM BOARD, PATCH & PAINT
 -VAPOUR BARRIER
 1 X 2 WOOD STRAPPING
 -BATT INSULATION
 -4" MATCHING FACE BRICK INTERIOR (SALVAGED FROM SITE DEMOLITION)
 -MASONRY TIES
 -4" MATCHING FACE BRICK EXTERIOR



7 SECTION - WALL OPENING
 A5 | A5 SCALE: 1/2"=1'-0"

NOTES:

EXTERIOR PAINT SELECTION, TYPE & FINISH TO BE DETERMINED BASED ON EXISTING PAINT FINISH ON WINDOWS TO AVOID PEELING, FADING. REMOVE ANY EXISTING PEELING PAINT FROM ALL SURFACES AND APPLY TWO COATS OF NEW PAINT TO CLEAN, DRY SURFACES.

NEW STEEL COLUMNS
 APPLY METAL PRIMER & TWO COATS OF BLACK METAL PAINT FINISH TO COLUMNS & BASEPLATES.

ORIGINAL STAMPED BY: R.K. FOK LI Arch.
 DATE: 2012.08.24

No.	REVISION/DESCRIPTION	BY	DATE

DRAWN	CHKD	DESIGNED	APPROVED

THE CITY OF WINNIPEG
 PLANNING, PROPERTY AND
 DEVELOPMENT DEPARTMENT
 MUNICIPAL ACCOMMODATIONS DIVISION
 3-65 GARRY STREET, R3C 4K4

PROJECT
 FORT GARRY LIBRARY
 INTERIOR & EXTERIOR REFURBISHING
 DESIGN
 1360 PEMBINA HIGHWAY

SHEET TITLE
 BUILDING ELEVATIONS
 NEW WINDOW LOCATIONS
 & WALL REPAIRS

SCALE	PROJECT No:	SHEET No:
AS SHOWN	2011-096	A5

DRAWING SHEET SIZE: A1 (841mm x 594mm) PLOT 1:1