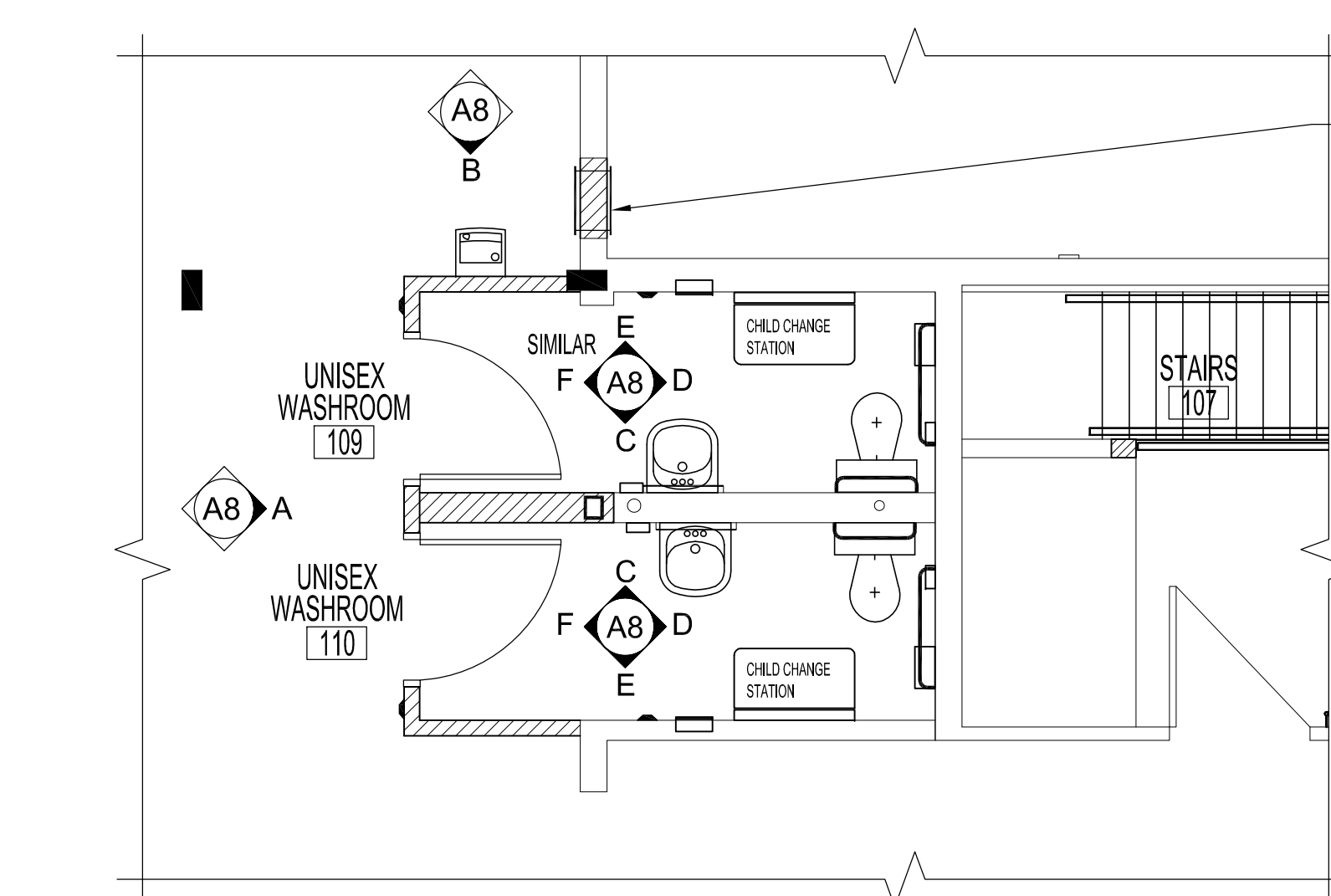
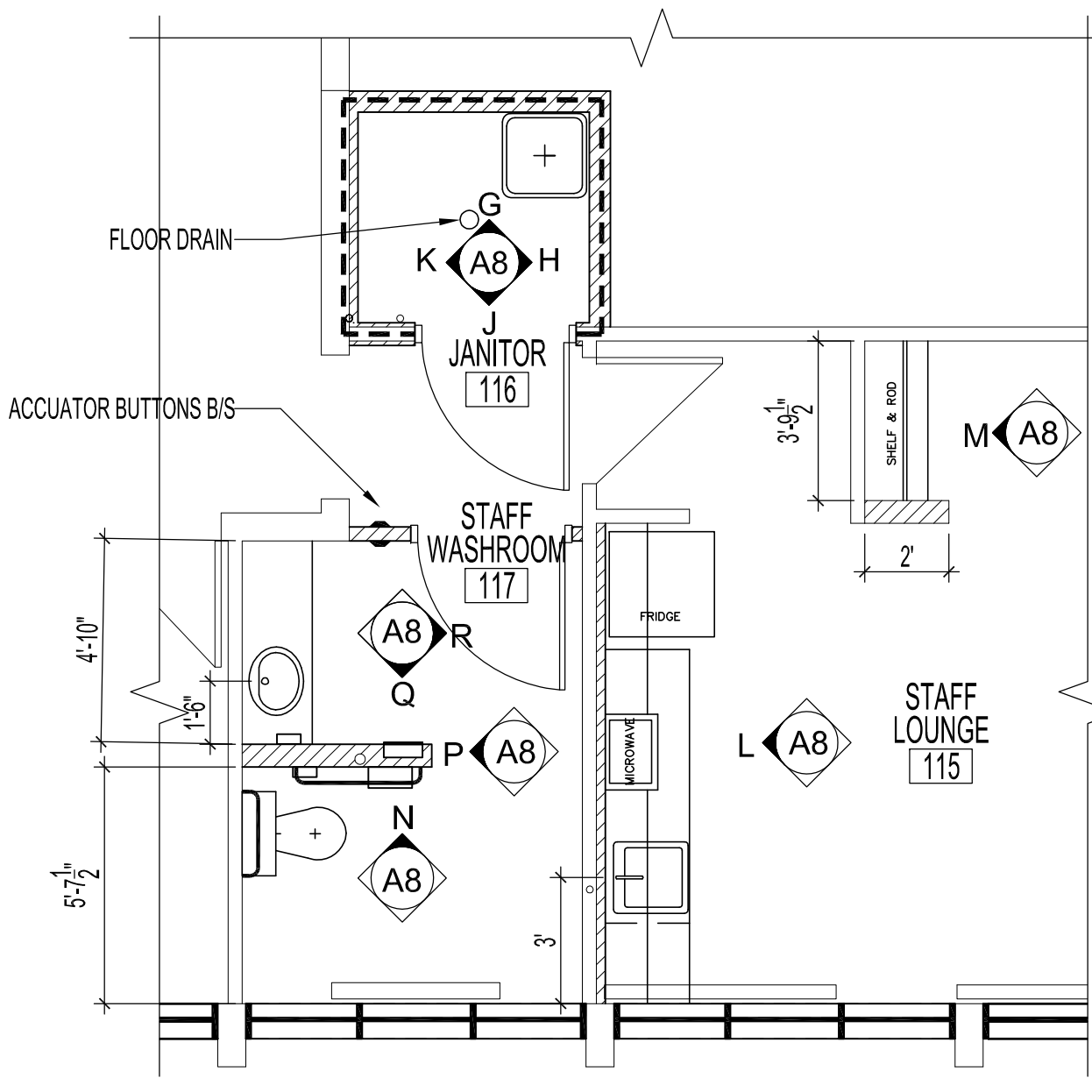


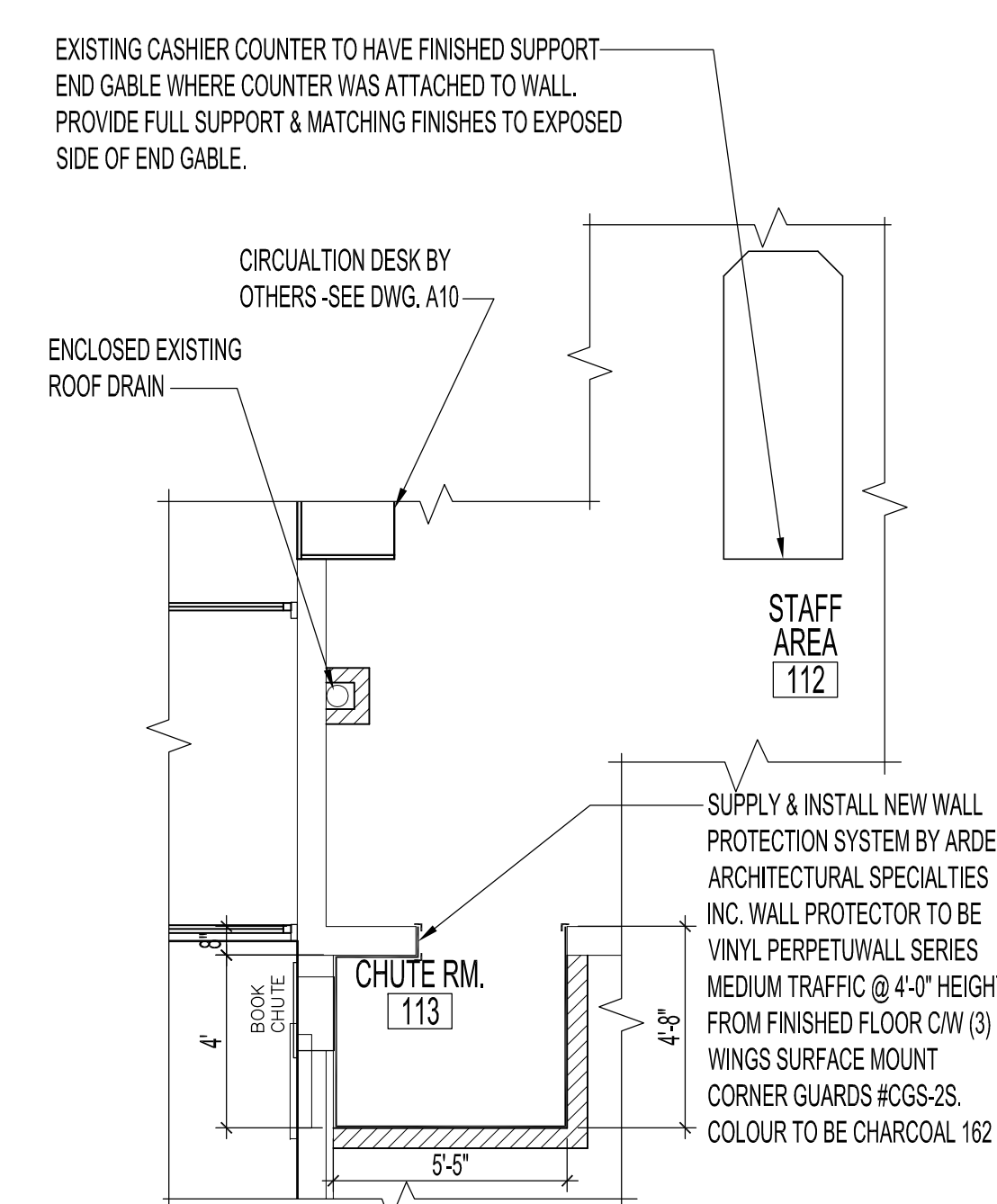
FILE NAME: 2011-096/0.dwg/A8 DATE: 2012.07.24 SHEET TITLE: LARGE PLANS/INTERIOR ELEVATIONS, MILLWORK SECTIONS & FINISHES PROJECT No: 2011-096 ADDRESS: 1380 PEMBINA HIGHWAY



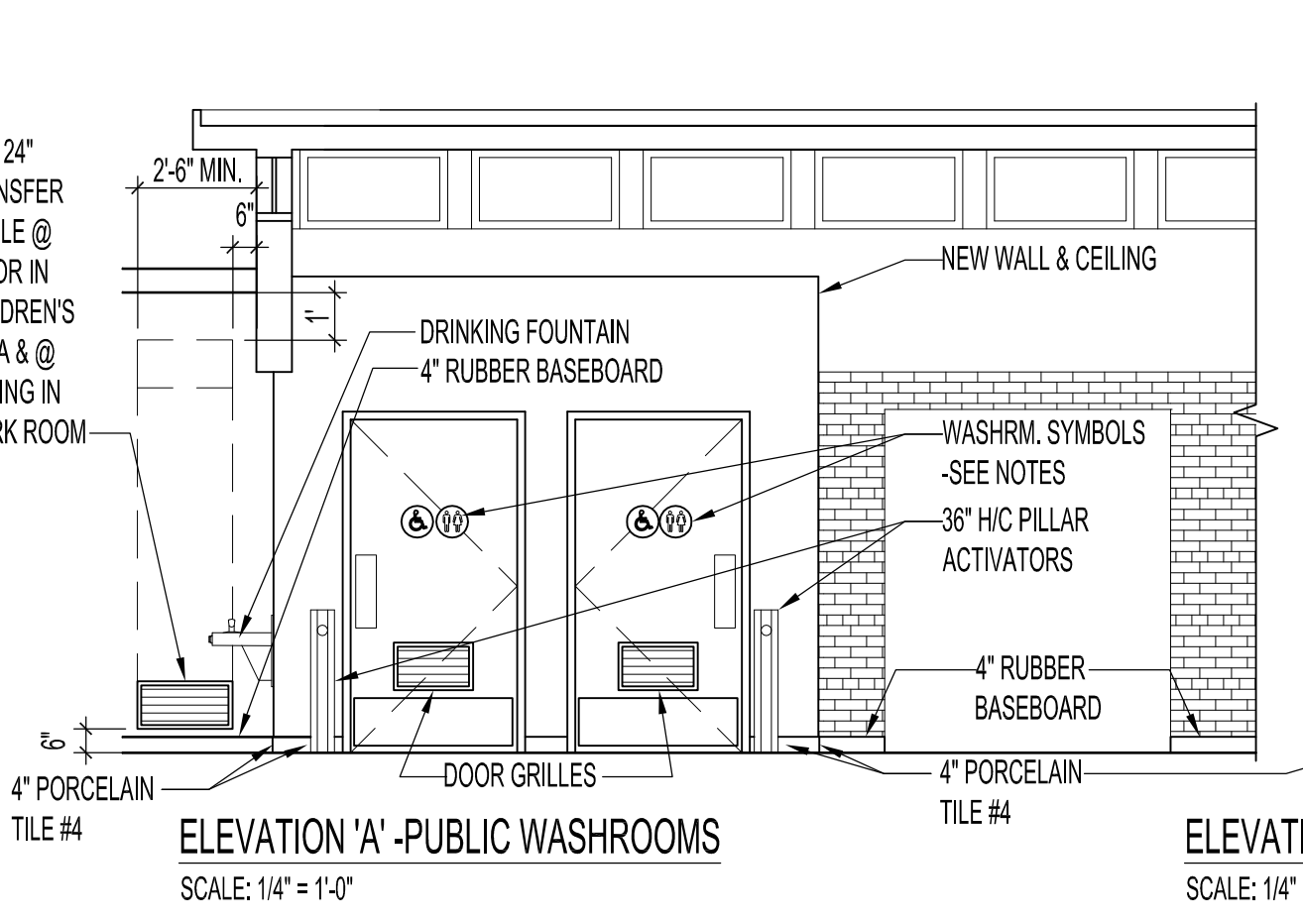
1 LARGE PLAN - PUBLIC WASHROOMS SCALE: 1/4"=1'-0"



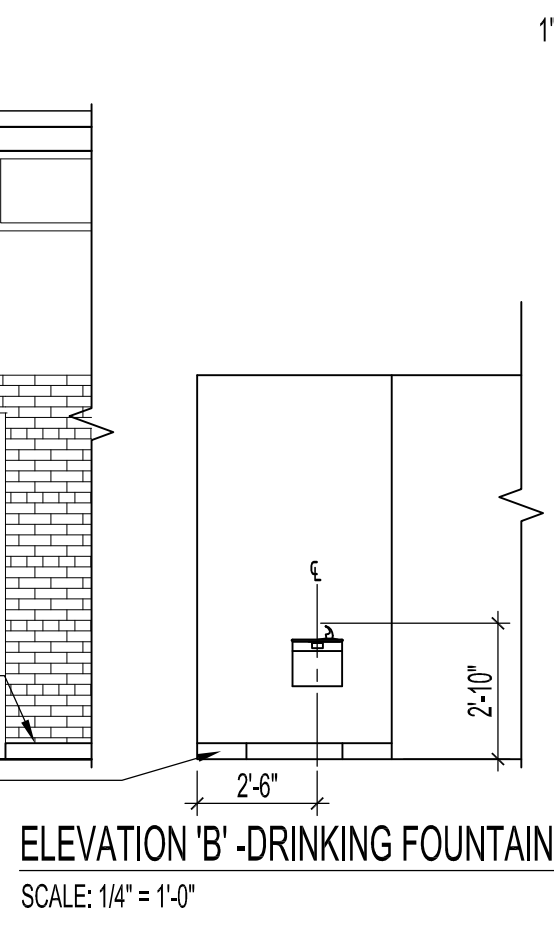
2 LARGE PLAN - STAFF WASHRM. 117 & LOUNGE 115, JANITOR 116 SCALE: 1/4"=1'-0"



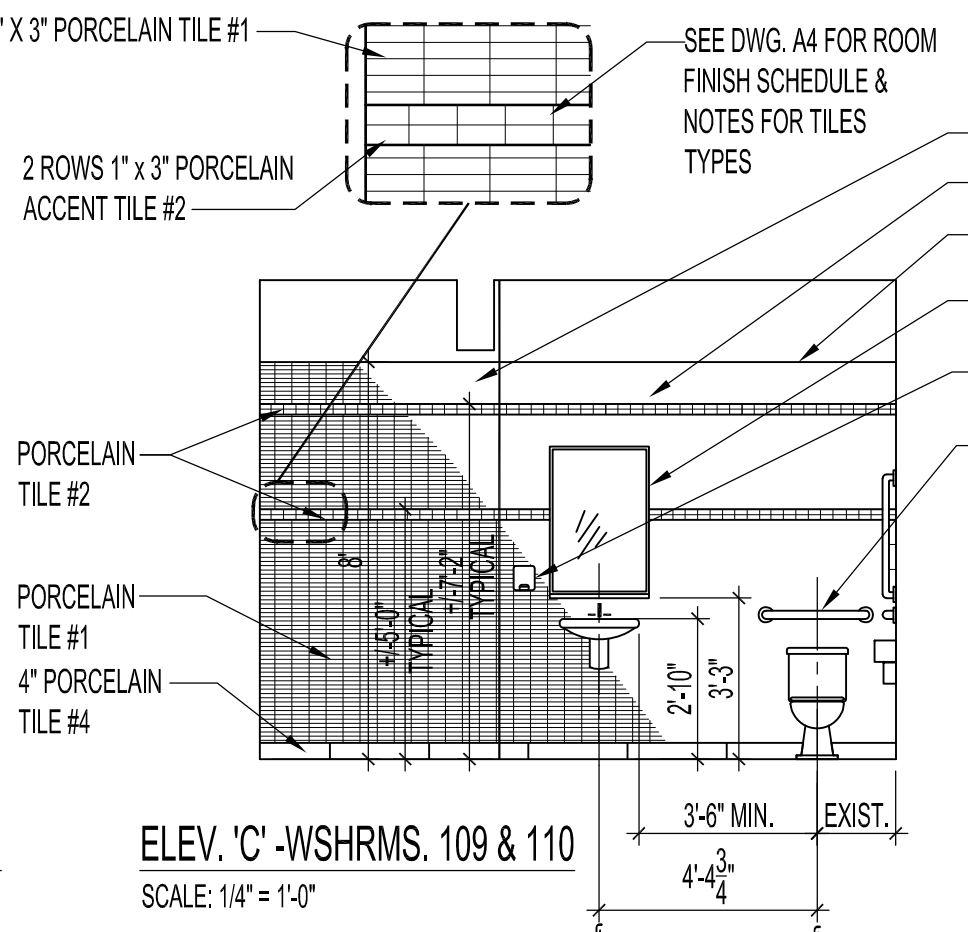
3 LARGE PLAN - STAFF AREA 112 SCALE: 1/4"=1'-0"



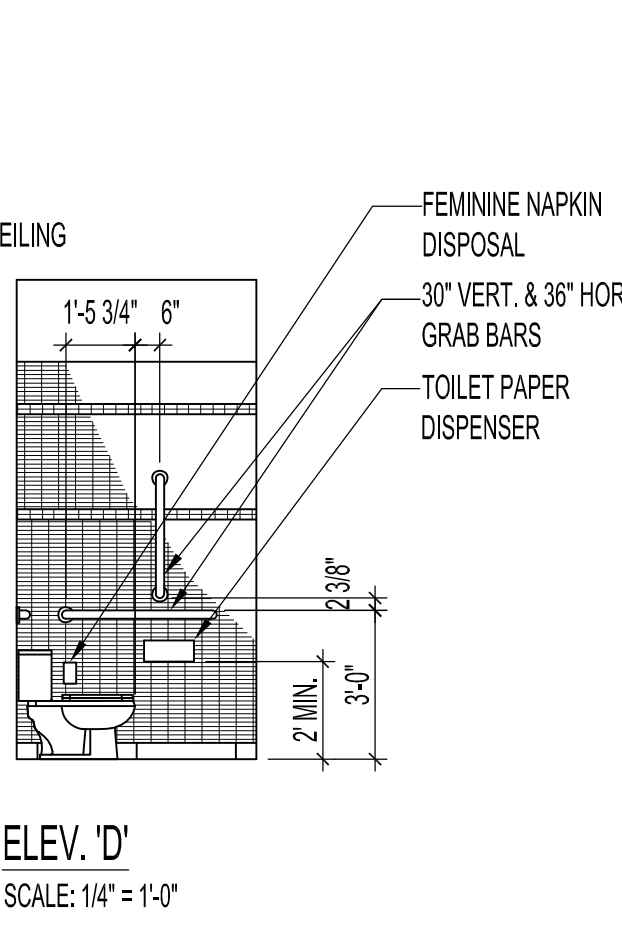
ELEVATION 'A' - PUBLIC WASHROOMS SCALE: 1/4"=1'-0"



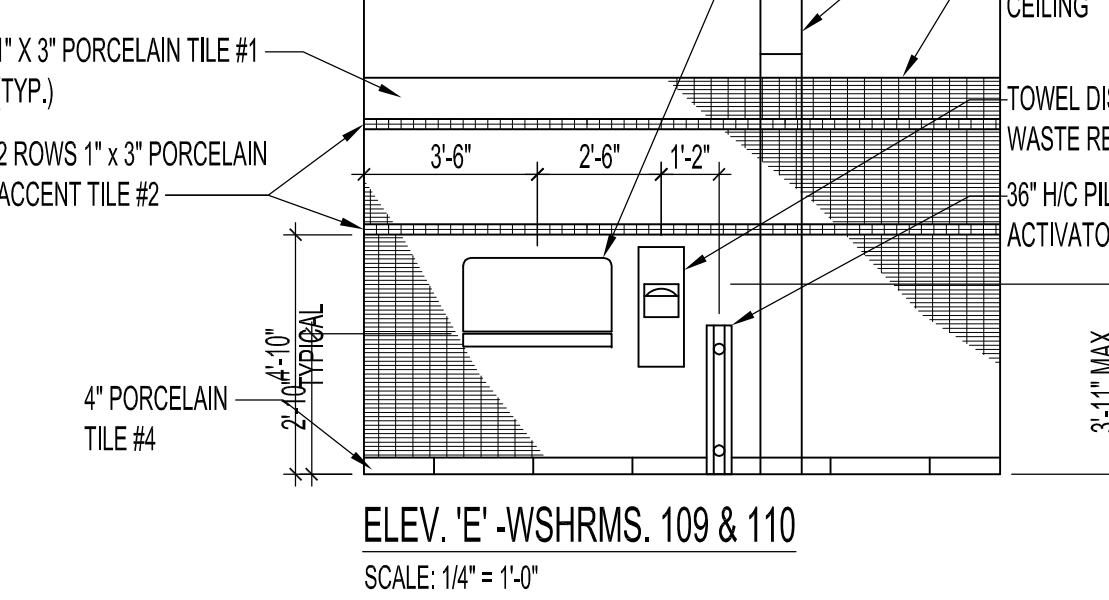
ELEVATION 'B' - DRINKING FOUNTAIN SCALE: 1/4"=1'-0"



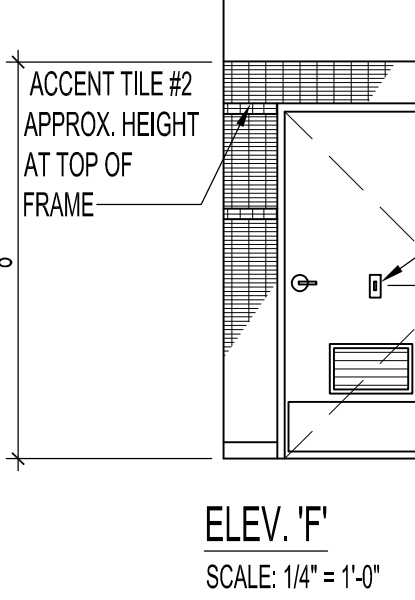
ELEV. 'C' - WSHRMS. 109 & 110 SCALE: 1/4"=1'-0"



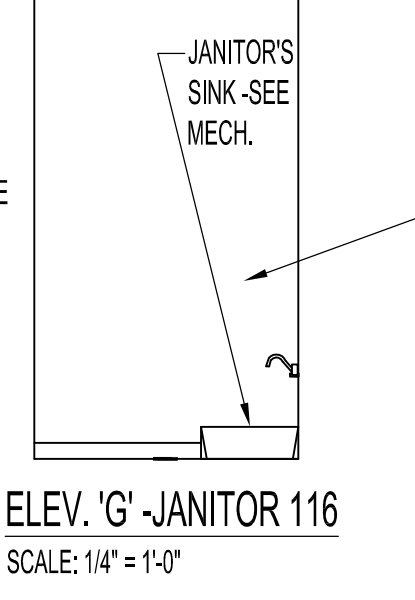
ELEV. 'D' SCALE: 1/4"=1'-0"



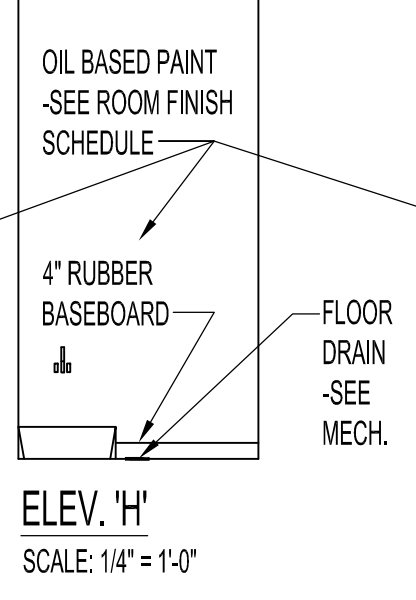
ELEV. 'E' - WSHRMS. 109 & 110 SCALE: 1/4"=1'-0"



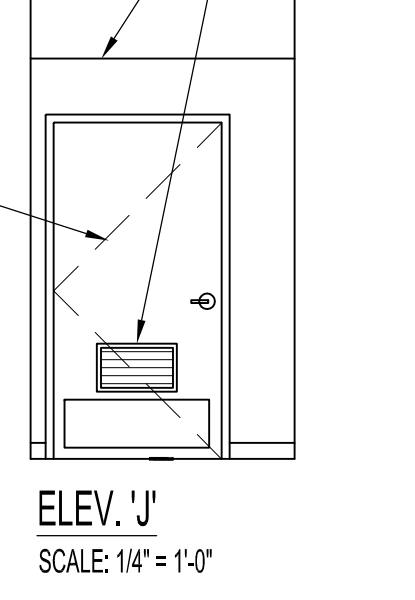
ELEV. 'F' SCALE: 1/4"=1'-0"



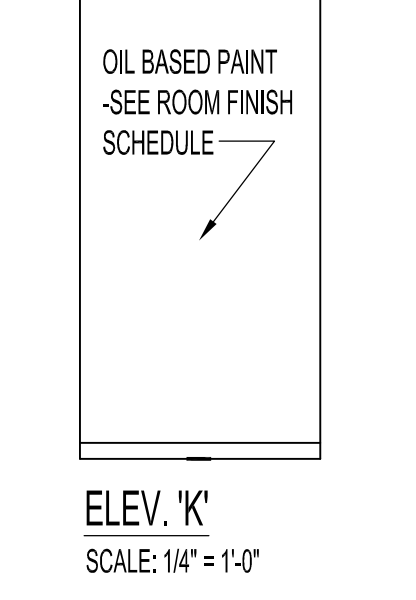
ELEV. 'G' - JANITOR 116 SCALE: 1/4"=1'-0"



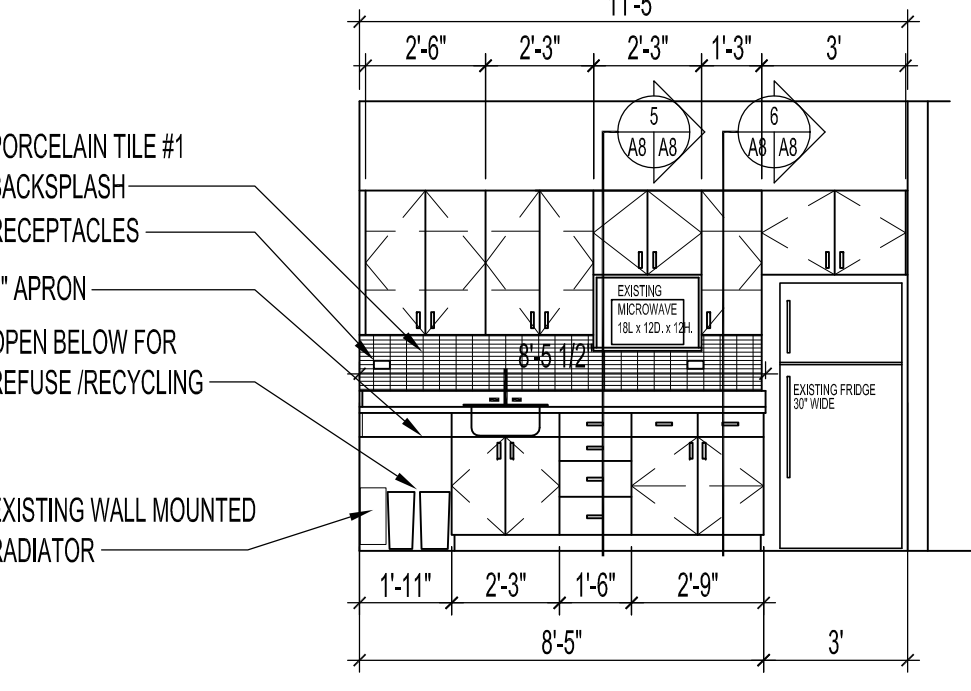
ELEV. 'H' SCALE: 1/4"=1'-0"



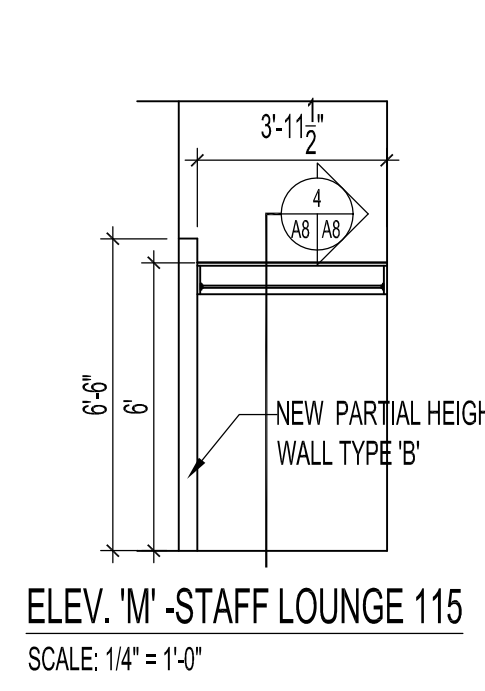
ELEV. 'J' SCALE: 1/4"=1'-0"



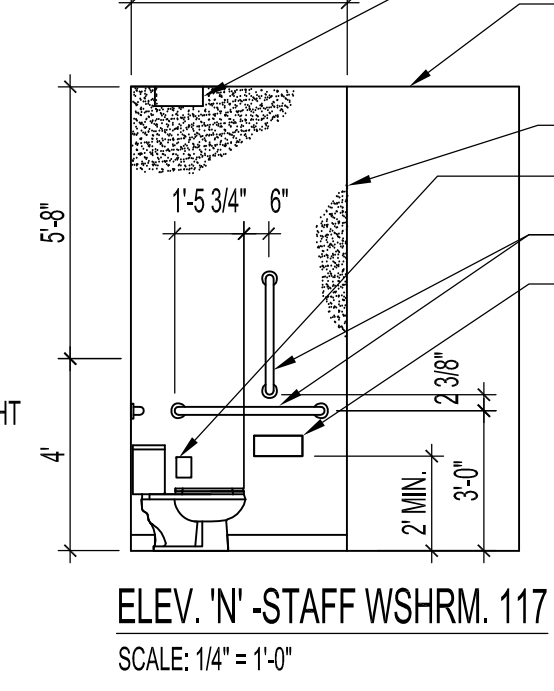
ELEV. 'K' SCALE: 1/4"=1'-0"



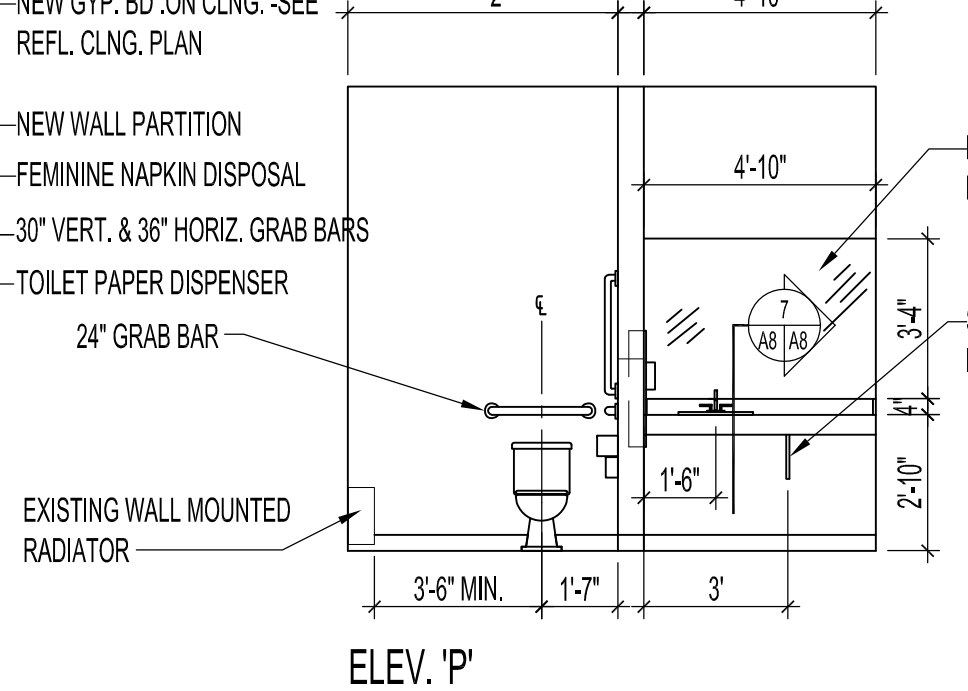
ELEV. 'L' - STAFF LOUNGE 115 SCALE: 1/4"=1'-0"



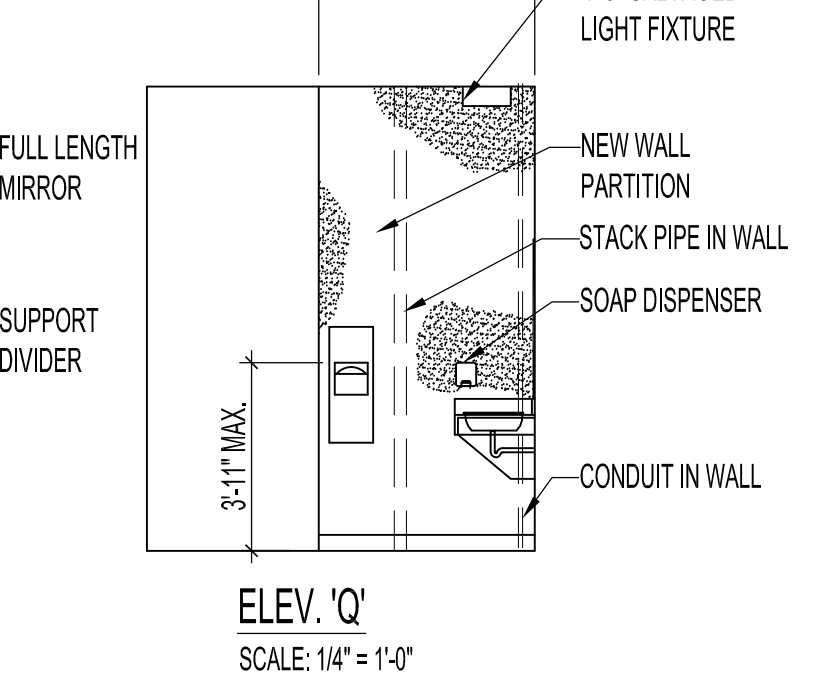
ELEV. 'M' - STAFF LOUNGE 115 SCALE: 1/4"=1'-0"



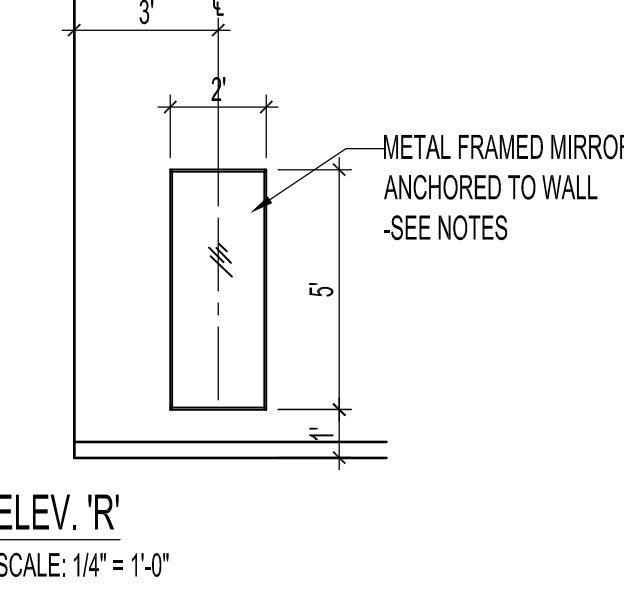
ELEV. 'N' - STAFF WSHRM. 117 SCALE: 1/4"=1'-0"



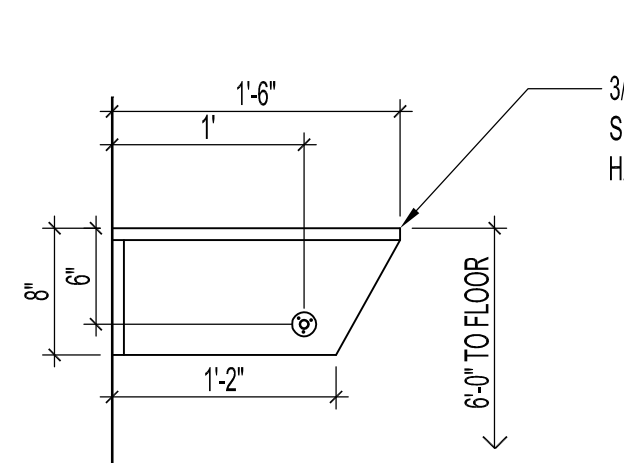
ELEV. 'P' SCALE: 1/4"=1'-0"



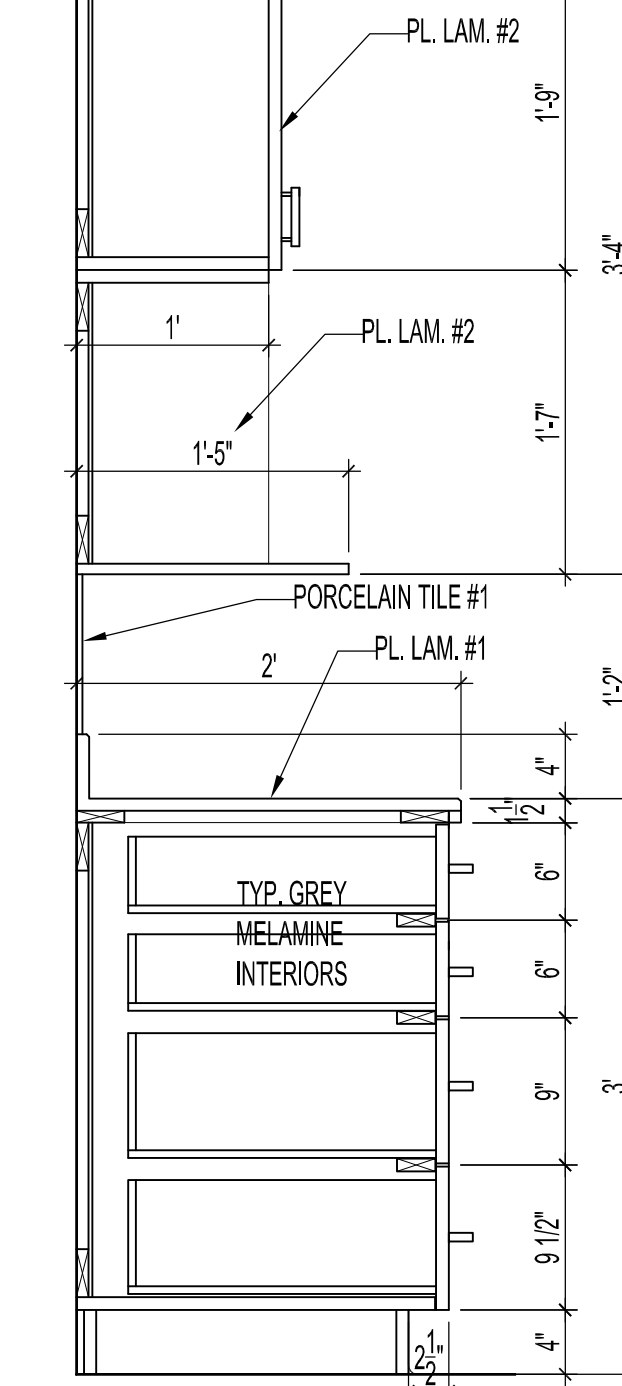
ELEV. 'Q' SCALE: 1/4"=1'-0"



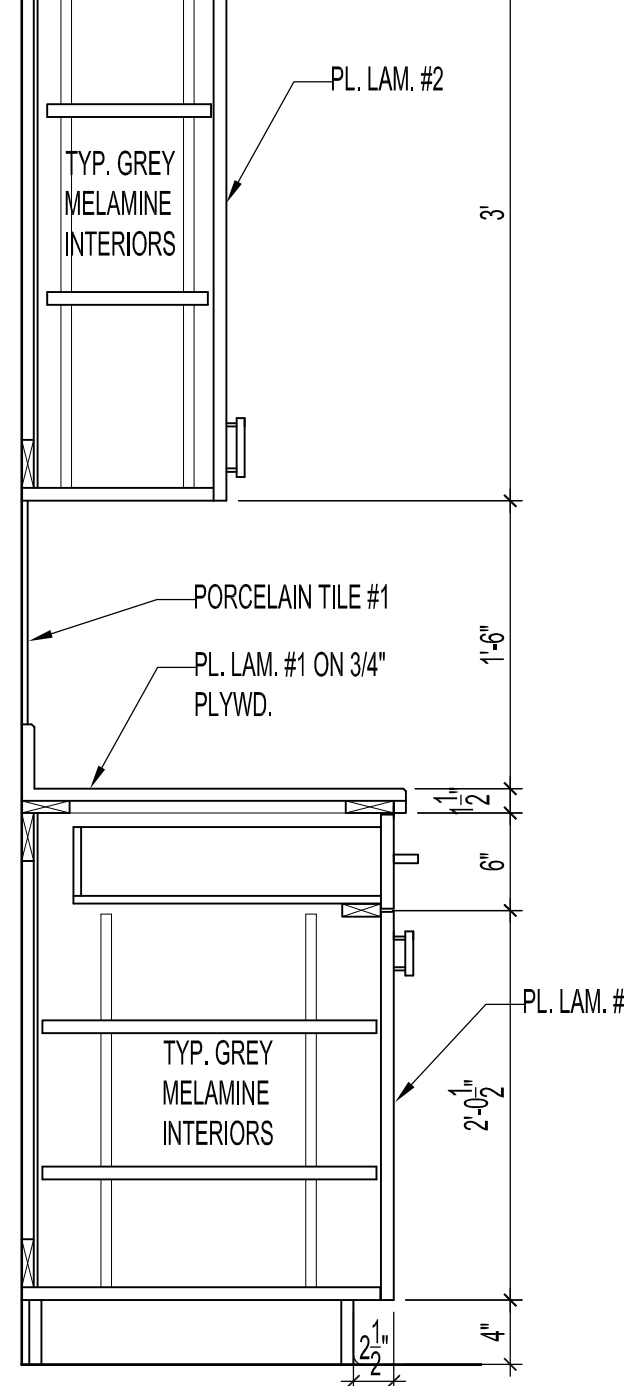
ELEV. 'R' SCALE: 1/4"=1'-0"



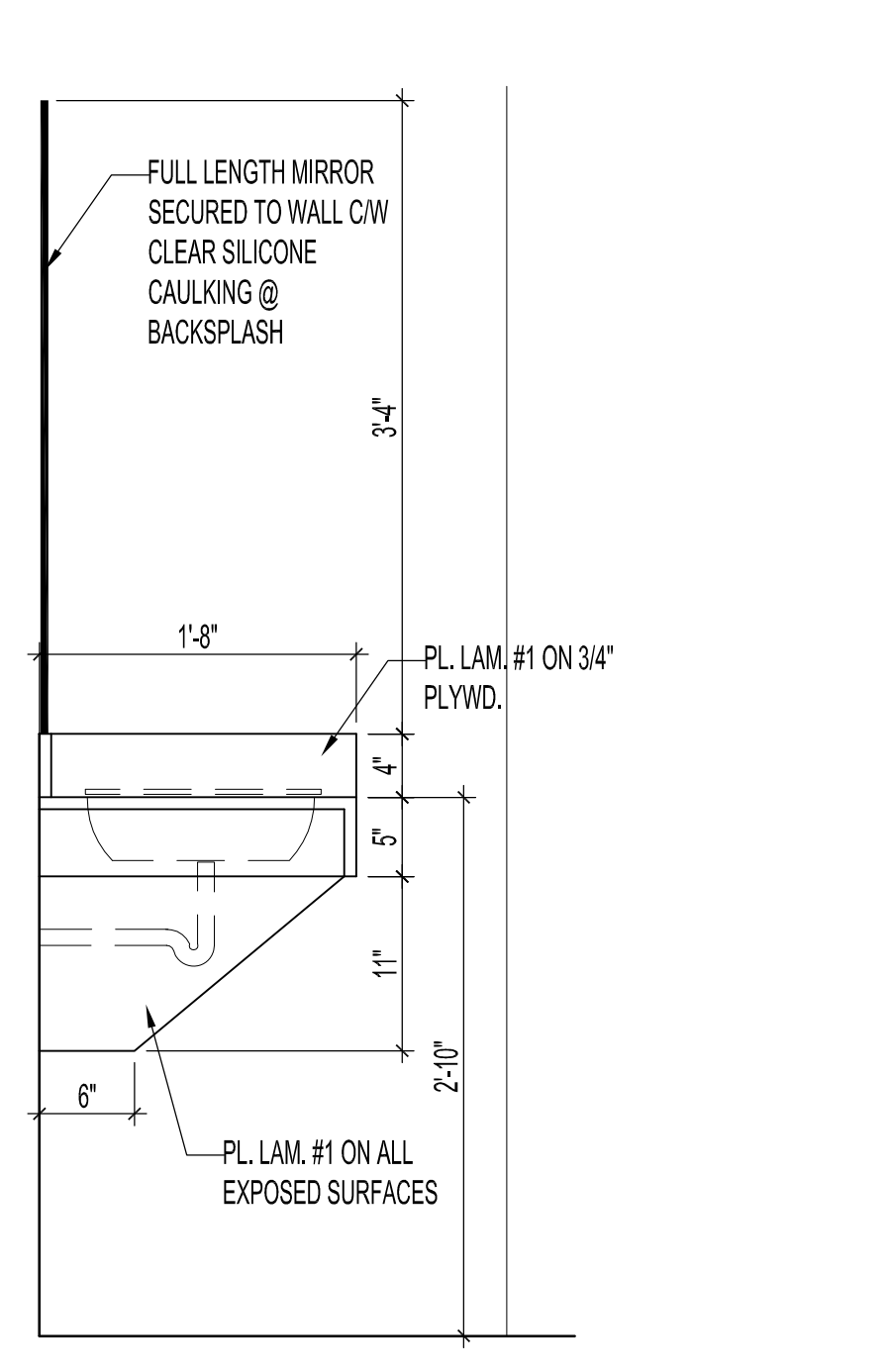
4 SECTION - STAFF LOUNGE 115 SCALE: 1/4"=1'-0"



5 SECTION - STAFF LOUNGE 115 SCALE: 1"=1'-0"



6 SECTION - STAFF LOUNGE 115 SCALE: 1"=1'-0"



7 SECTION - STAFF WASHRM. 117 SCALE: 1"=1'-0"

ORIGINAL STAMPED BY: R.K. FOK LI Arch. DATE: 2012.08.24

NOTES: NOTES, HARDWARE & ACCESSORIES

STANDARDS OF MATERIAL AND QUALITY OF CONSTRUCTION TO MEET AIA/MAC STANDARDS.
 PROVIDE 5 SETS OF SHOP DRAWINGS.
 ALL DIMENSIONED & NOTED WASHROOM ACCESSORIES & FIXTURES ARE TYPICAL FOR ALL WASHROOM ELEVATIONS UNLESS NOTED OTHERWISE.
 ALL ACCESSORIES, PLUMBING FIXTURES IN BARRIER FREE WASHROOMS TO BE INSTALLED TO THE LATEST MANITOBA BUILDING CODE STANDARDS FOR BARRIER-FREE ACCESS & THE 2006 CITY OF WINNIPEG ACCESSIBILITY DESIGN STANDARDS.
 PROVIDE WOOD BLOCKING SUPPORTS FOR ALL NEW BATHROOM ACCESSORIES IN NEW & EXISTING WALLS.
 PROVIDE WOOD BLOCKING SUPPORTS, METAL ANCHORS FOR ALL NEW LAVATORIES IN EXISTING WALLS. PATCH WALLS AS REQUIRED & PREPARE FOR PAINT.
 BOBRICK ACCESSORIES

- (3) PAPER TOWEL DISPENSER/WASTE RECEPTACLE B-36903
- (3) CLASSIC SERIES SOAP DISPENSER B-40
- (2) MIRROR/SHELF COMBINATION B-166 2436
- (3) CLASSIC SERIES DOUBLE TOILET TISSUE DISPENSER B-2740
- (3) MATRIX SERIES SANITARY NAPKIN DISPOSAL B-5270
- (3) GRAB BARS - SERIES B-6806 x 36" (SIDE WALL HORIZONTAL)
- (3) GRAB BARS - SERIES B-6806 x 30" (SIDE WALL VERTICAL)
- (3) GRAB BARS - SERIES B-6806 x 24" (CENTERED ABOVE TANK)
- (3) CLOTHES HOOK B-881 NOT MORE THAN 47" FROM FIN. FLOOR.
- (2) KOALA BABY CHANGE TABLES #KB200 COLOUR 'GREY'
- (1) FRAMED MIRROR 24" X 60" B-290 2460

SIGNAGE - PROVIDE THREE BARRIER-FREE UNISEX SIGNS FOR THE PUBLIC & STAFF WASHROOMS.
 SIGNS TO BE 7" X 7" BLACK TACTILE & BRAILLE ON BRONZE FINISH ENGRAVING STOCK. SUPPLIED BY INSIGN ARCHITECTURAL SIGNAGE. REQUIREMENTS ARE TO FOLLOW CODES NOTED ABOVE.

HARDWARE

- PULLS: RICHELIEU CONTEMPORARY STAINLESS STEEL #3487105
- DRAWER SLIDES: ACCURIDE 3017
- HINGES: BLUM CLIP 170" SELF CLOSING NICKEL FINISH
- RECESSED SHELF SUPPORTS: K&V 255 & 256 -CHROME
- CLOSET ROD: K&V #764 FLANGE & #770-1, 1 1/2" TUBING (CHROME)

MELAMINE

-ALL INTERIOR CABINETS & COAT SHELF TO BE GREY MELAMINE.

PLASTIC LAMINATE

- PL #1: ARBORITE P. 345 DI 'INUKSHUK TAUPE' (COUNTERTOPS, SUPPORT GABLES, STAFF LUNCHROOM & WASHROOM)
- PL #1: WILSONART D327-60 'PEPPERDUST' (EXTERIOR EXPOSED CABINETS, STAFF LUNCHROOM)

WALL PROTECTION- SEE PLAN 3 ON THIS DWG.

No.	REVISION/DESCRIPTION	BY	DATE
SEAL			

DRAWN	MWK	CHECKED	DESIGNED	APPROVED
DATE	2012.07.24	USER	APPROVAL	

THE CITY OF WINNIPEG
 PLANNING, PROPERTY AND
 DEVELOPMENT DEPARTMENT
 MUNICIPAL ACCOMMODATIONS DIVISION
 3-65 GARRY STREET, R3C 4K4

PROJECT
 FORT GARRY LIBRARY
 INTERIOR & EXTERIOR REFURBISHING
 DESIGN
 1380 PEMBINA HIGHWAY

SHEET TITLE
 LARGE PLANS
 INTERIOR ELEVATIONS
 MILLWORK SECTIONS & FINISHES

SCALE	PROJECT No:	SHEET No:
AS SHOWN	2011-096	A8

DRAWING SHEET SIZE: A1 (841mm x 594mm) PLOT 1:1