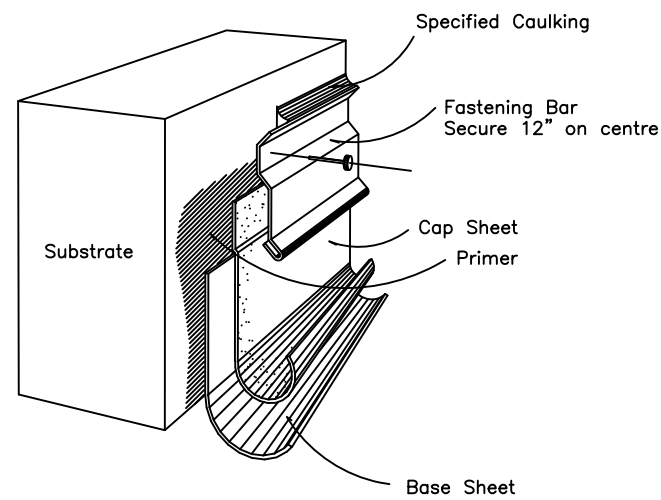
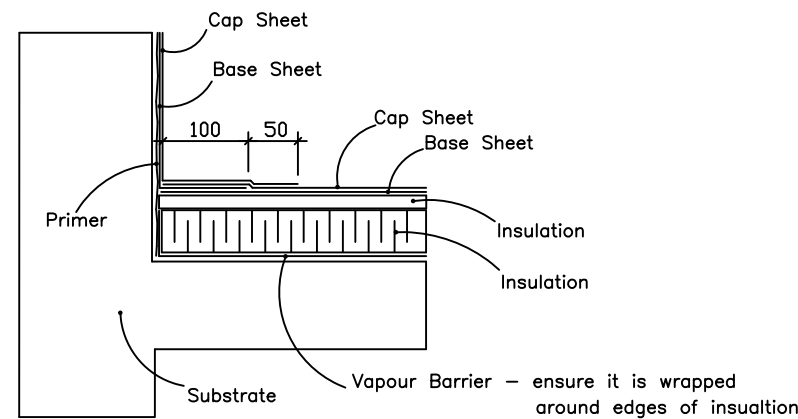


Typical Fastening Bar

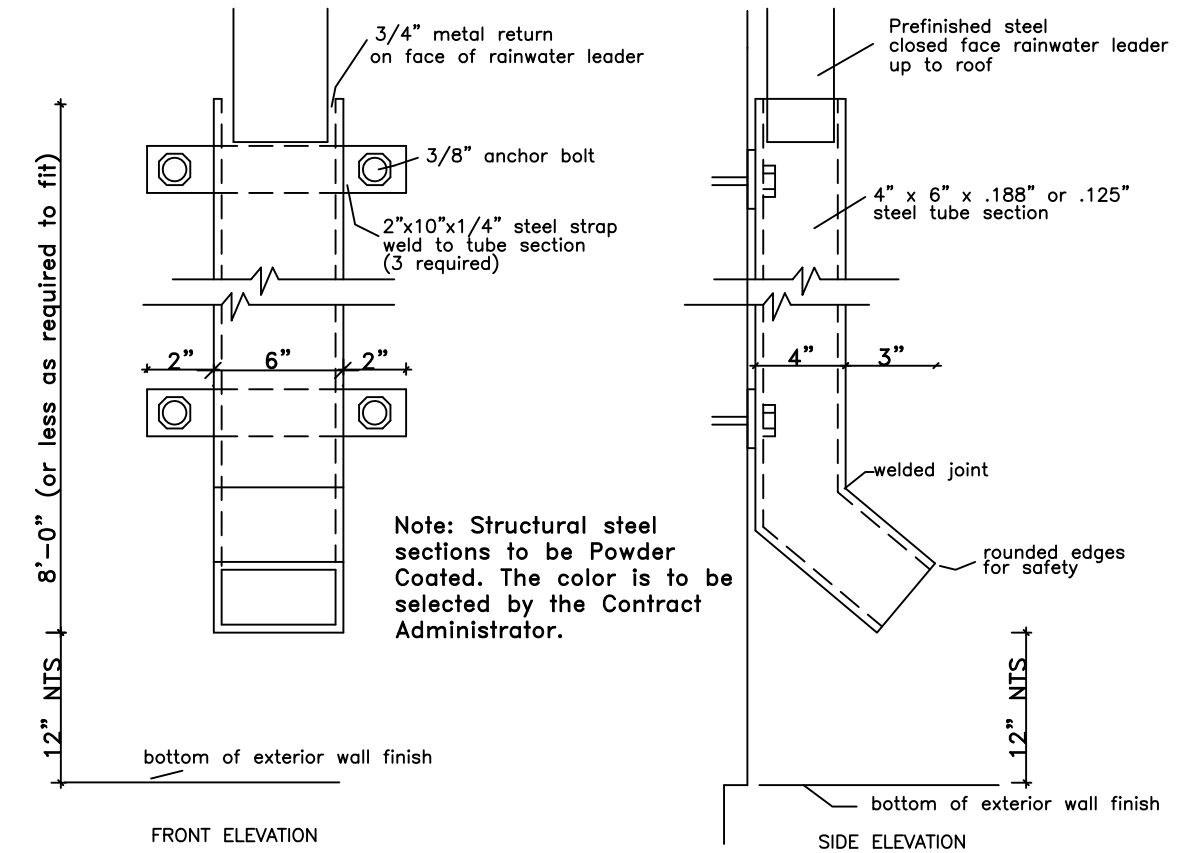


Typical Roof Edge Detail

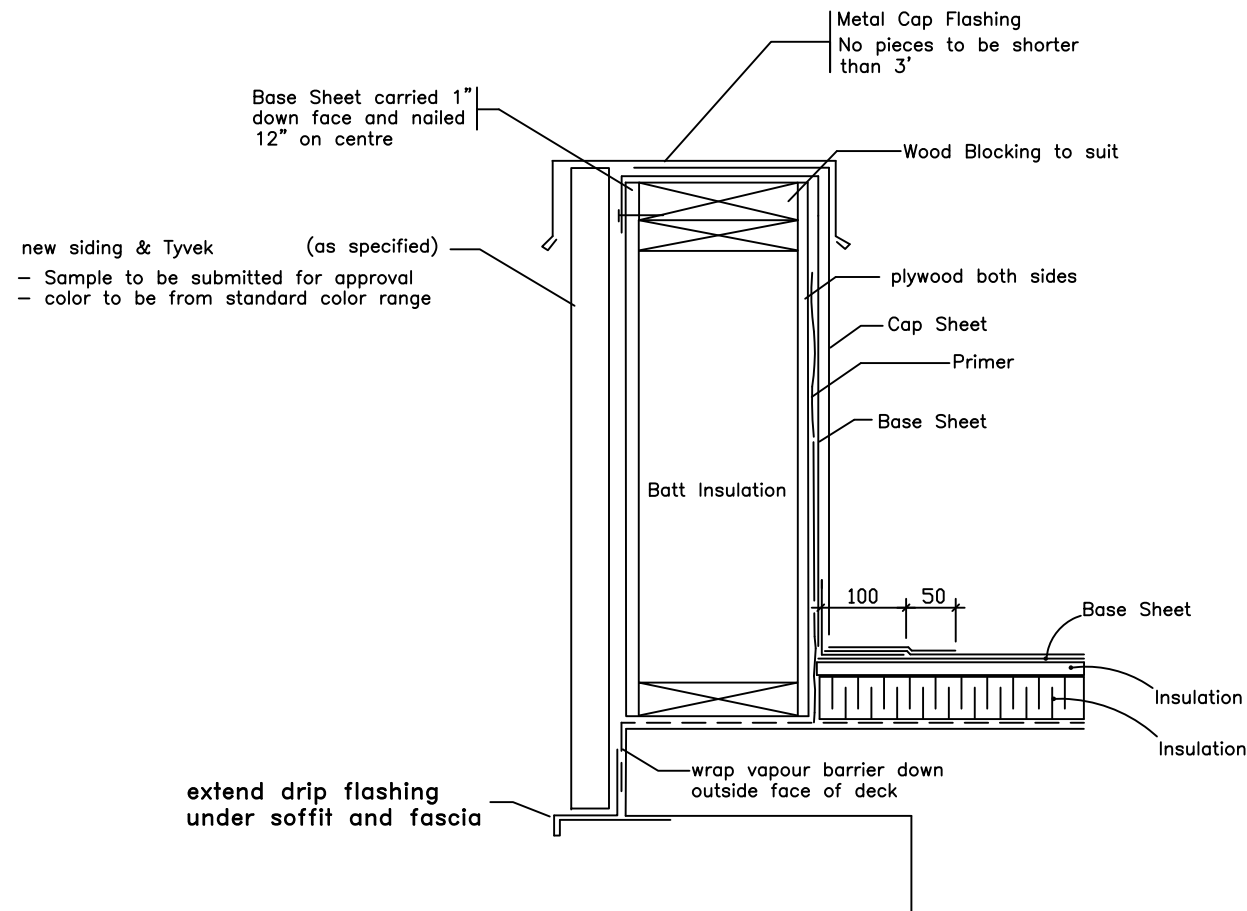


Note: Modified Bitumen stipping used in conjunction with 4 ply felt membrane is to have base sheet extend 12" onto flat and cap sheet 18" onto flat.

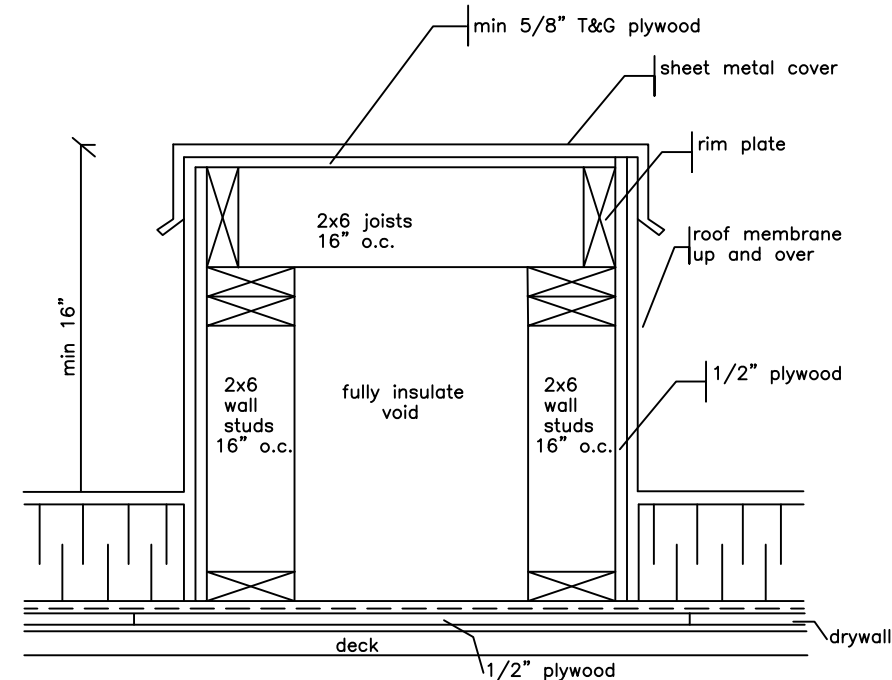
Structural Down Pipes



Typical Parapet Construction



Covered Mechanical Curb



AGASSIZ CONSULTING GROUP	
809 Pipeline Road, Winnipeg, Manitoba Phone: 697-8091 Fax: 697-8039	
Project:	Fort Garry Library 1360 Pembina Hwy Winnipeg, MB
Date:	May 20, 2012
Drawing No.	D-1
File no:	4335-12
Scale:	N.T.S.