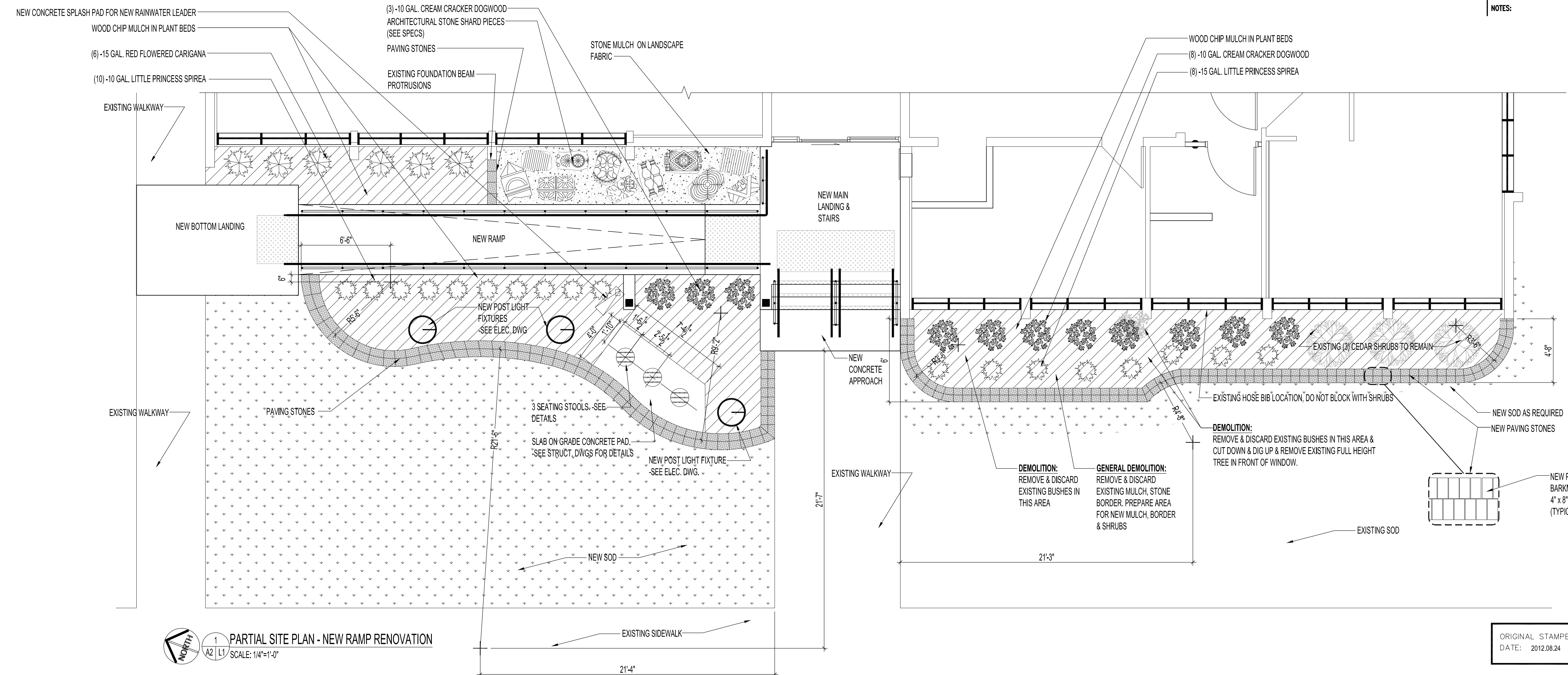


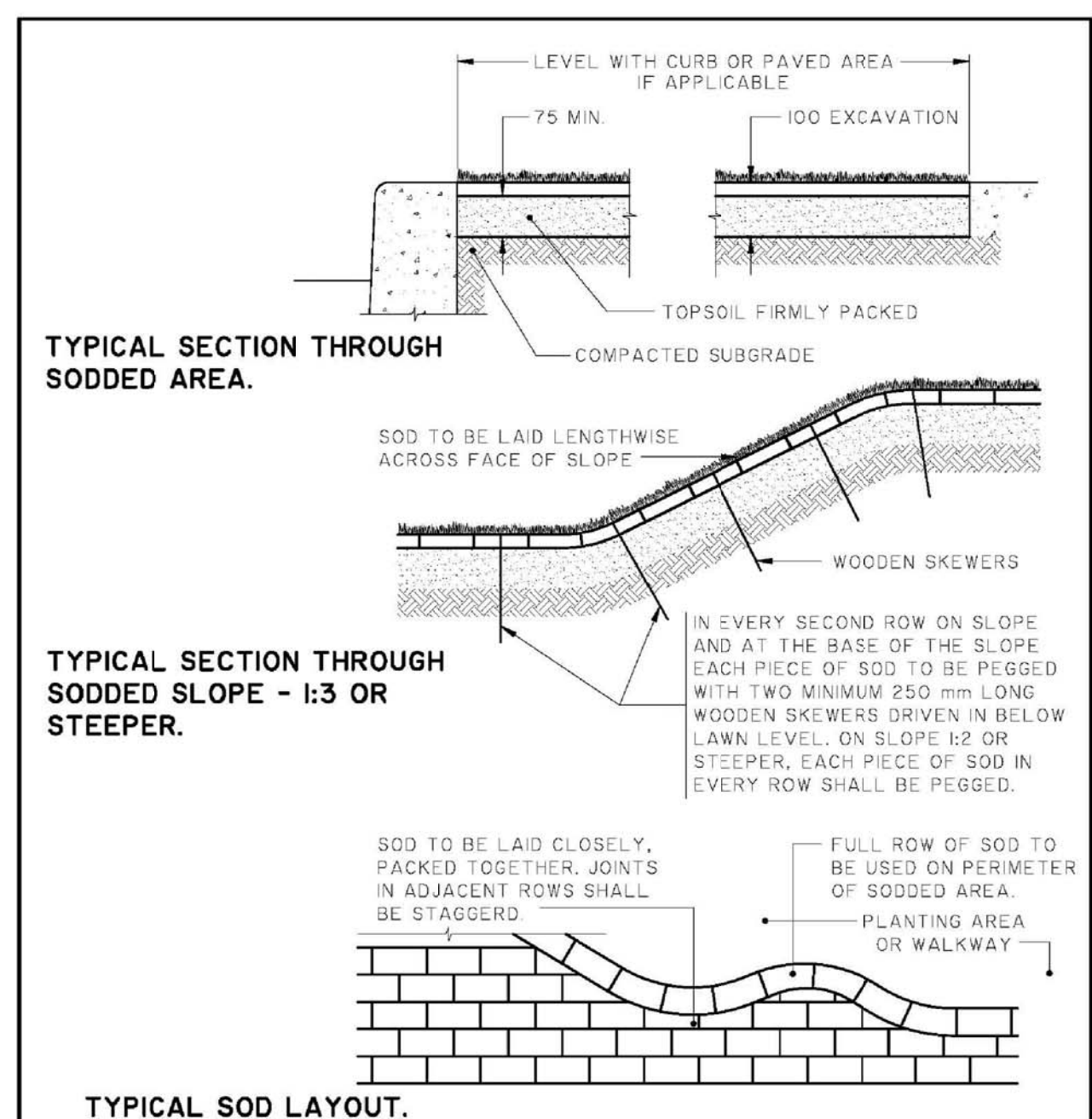
FILE NAME: 201109610.dwg L1
 DATE: 2012.07.24
 SHEET TITLE: PARTIAL SITE PLAN - LANDSCAPING
 PROJECT No: 2011-096
 ADDRESS: 1360 PEMBINA HIGHWAY

NOTES:

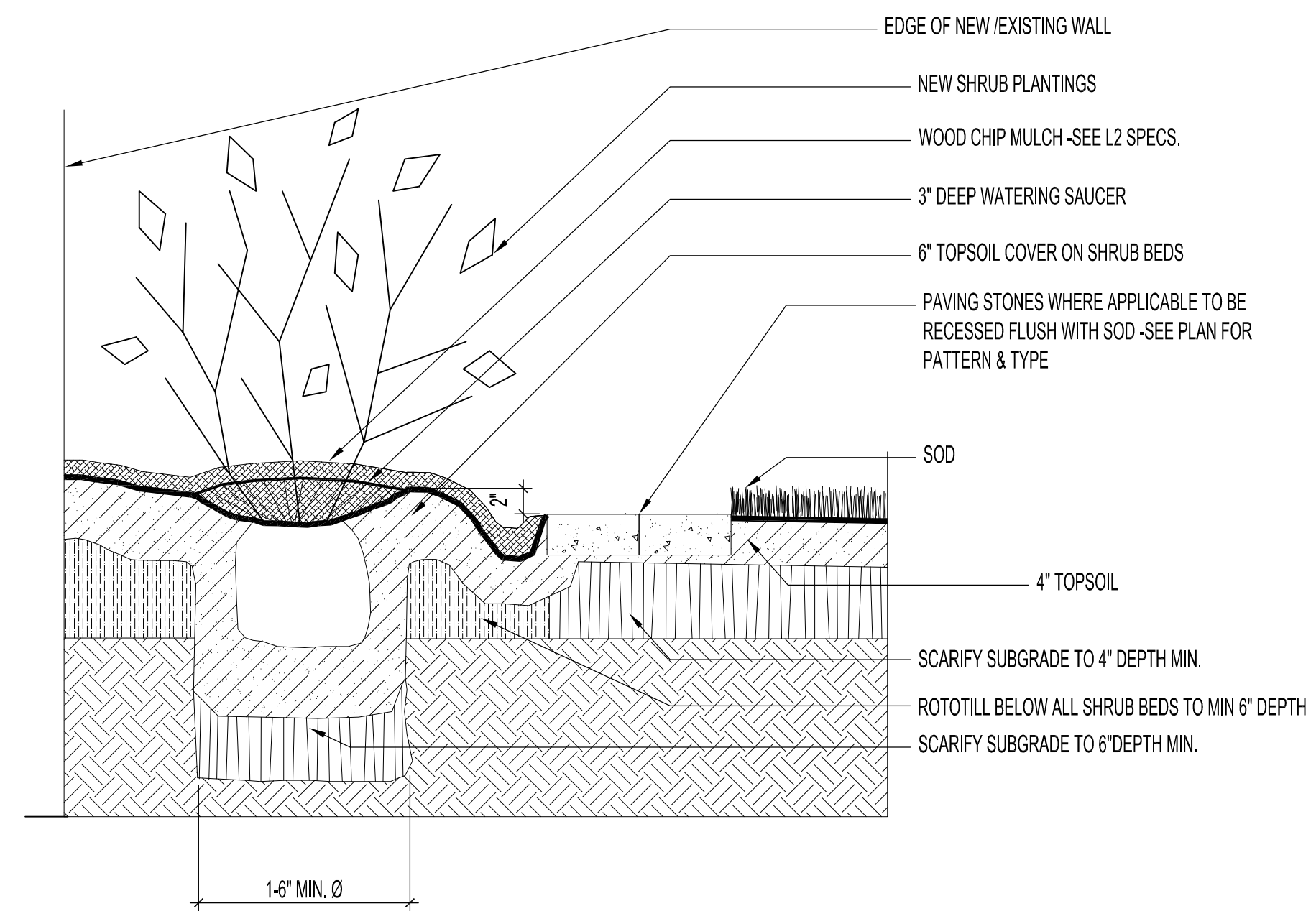


1 PARTIAL SITE PLAN - NEW RAMP RENOVATION
 A2 L1 SCALE: 1/4"=1'-0"

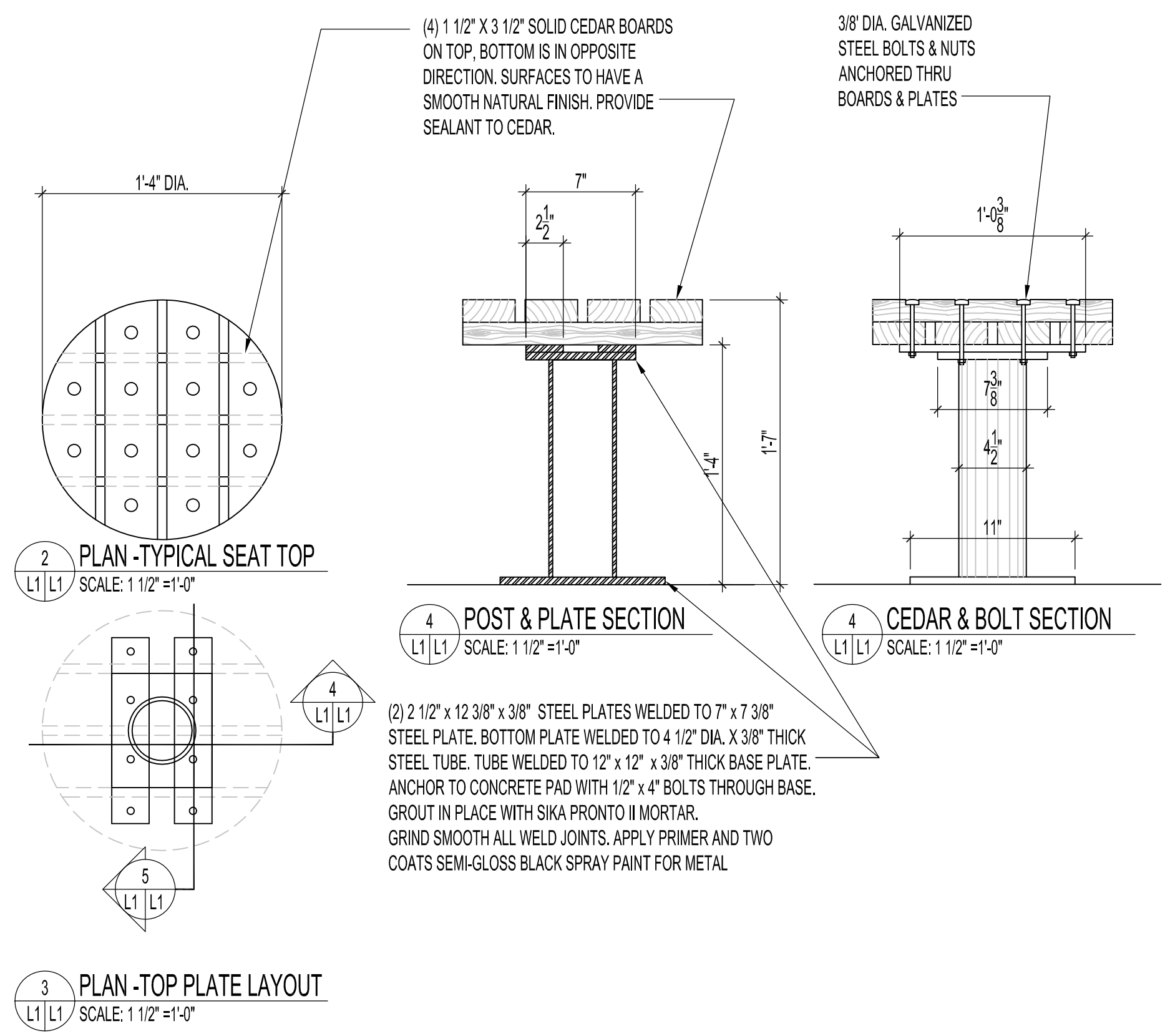
ORIGINAL STAMPED BY: R.K. FOK L1 Arch.
 DATE: 2012.08.24



THE CITY OF WINNIPEG PUBLIC WORKS DEPARTMENT		Revisions	
Reference Spec. No.	CW-3510	2	5/05 Top Soil & Excavation Dimensions
Designed By	D.R.K.	3	2/04 Top Soil & Excavation Dimensions
Checked By	D.R.K.	4	1/01 Description
Drawn By	A.R.	5	05-05-04
Date	05-05-04	6	
Approved	SURFACE WORKS COMMITTEE	7	
SODDING DETAILS		Scale:	N.T.S.
		Drawing No.	SD-243



1 TYPICAL SECTION - BEDDING PLANTS
 L1 L1 SCALE: 1"=1'-0"



3 PLAN - TOP PLATE LAYOUT
 L1 L1 SCALE: 1 1/2"=1'-0"

No.	REVISION/DESCRIPTION	BY	DATE
SEAL			

DRAWN	MWK	CHECKED	DESIGNED	APPROVED
DATE	2012.07.24	USER	APPROVAL	

THE CITY OF WINNIPEG
 PLANNING, PROPERTY AND DEVELOPMENT DEPARTMENT
 MUNICIPAL ACCOMMODATIONS DIVISION
 3-65 GARRY STREET, R3C 4K4

PROJECT
 FORT GARRY LIBRARY
 INTERIOR & EXTERIOR REFURBISHING DESIGN
 1360 PEMBINA HIGHWAY

SHEET TITLE
 PARTIAL SITE PLAN
 LANDSCAPING

SCALE	PROJECT No:	SHEET No:
AS SHOWN	2011-096	L1

DRAWING SHEET SIZE: A1 (841mm x 594mm) PLOT 1:1