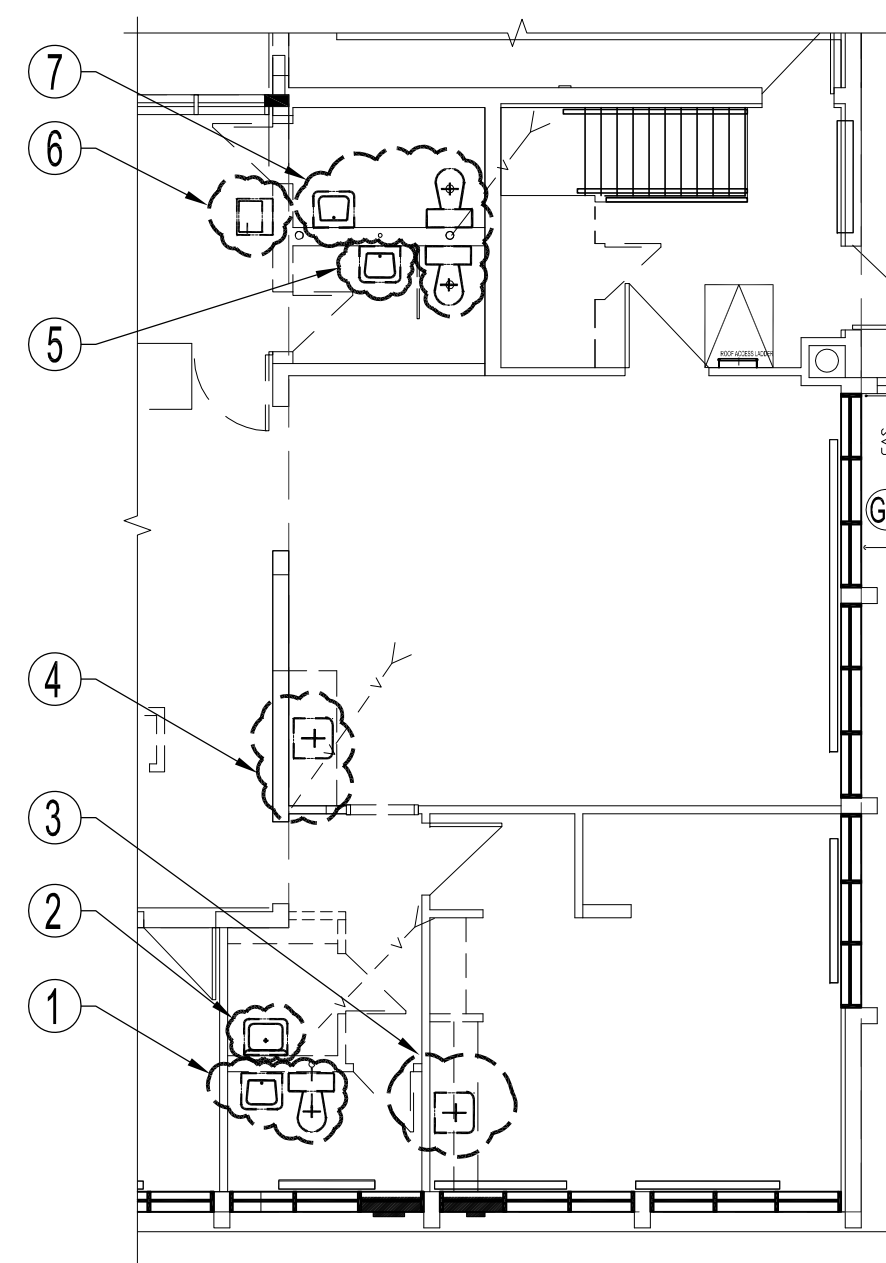


BASEMENT FLOOR PLAN - DEMOLITION - PLUMBING
SCALE: 1/8"=1'-0"

BASEMENT FLOOR DEMOLITION NOTES - PLUMBING

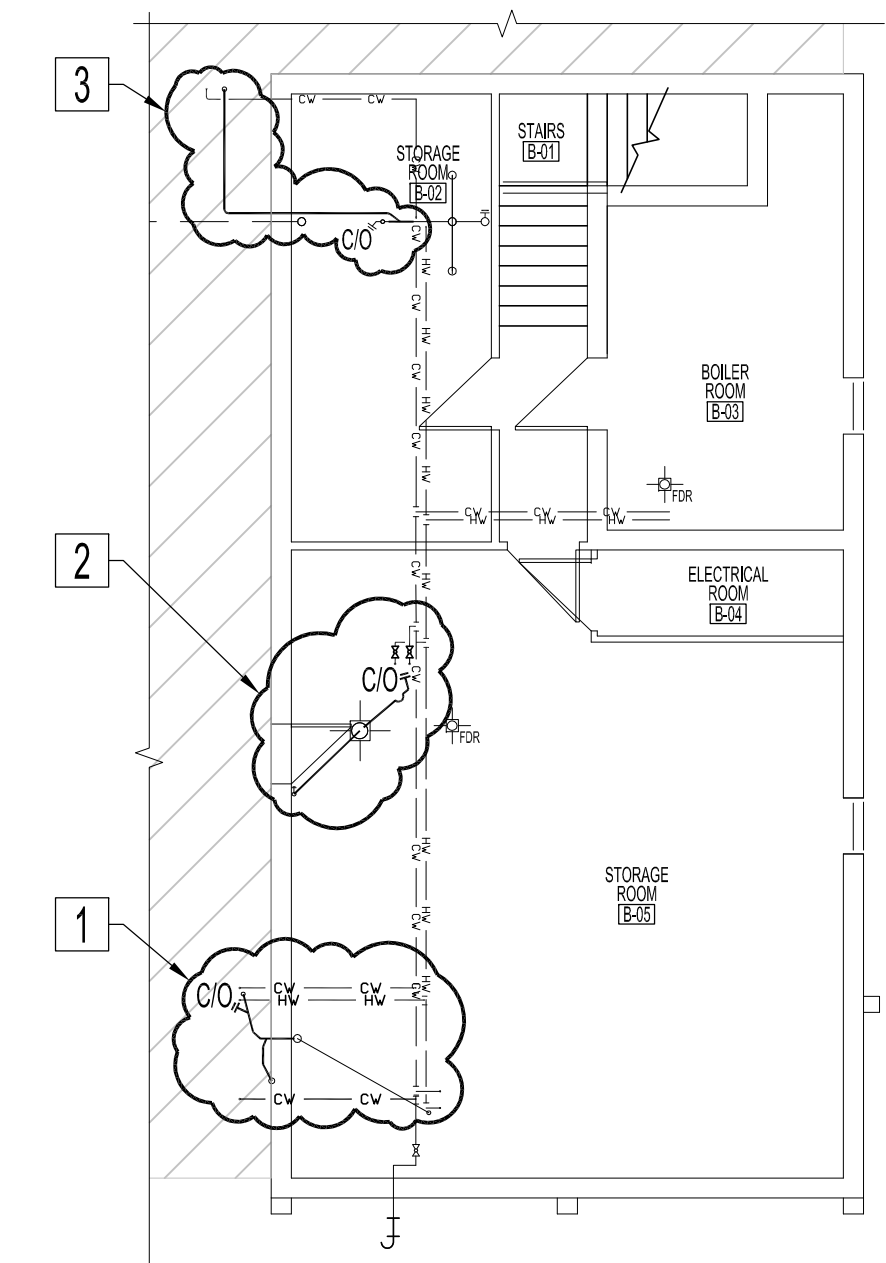
- ALSO SEE MAIN FLOOR DEMOLITION PLUMBING NOTES
- EXISTING TO REMAIN
 - - - TO BE DEMOLISHED.
- 1 REMOVE & DISCARD & REPLACE EXTERIOR HOSE BIB. CONTRACTOR TO CHECK OPERATION OF EXISTING GATE VALVE AND REPORT ON CONDITION.
 - 2 REMOVE & DISCARD STAFF WASHROOM WATER CLOSET BEND, SANITARY DRAIN BRANCH & DWV STACK WYE FITTING. REMOVE & DISCARD COLD WATER SUPPLY BRANCH AND CAP AT BASEMENT MAIN. CONTRACTOR TO RE-WORK EXISTING SANITARY DWV STACK FITTING & RE-CONNECT EXISTING STAFF LOUNGE SINK DRAIN.
 - 3 REMOVE & DISCARD WORK ROOM & JANITOR SINK HOT & COLD SUPPLY BRANCHES & CAP AT BASEMENT MAINS.
 - 4 CONTRACTOR SHALL VERIFY IF EXISTING MAIN FLOOR DRINKING FOUNTAIN DRAINS INTO CRAWLSPACE CATCH BASIN. IF VERIFIED CORRECT THEN THE CONTRACTOR SHALL REMOVE & DISCARD EXISTING DRAIN BRANCH. SEE BASEMENT FLOOR PLAN - RENOVATION - PLUMBING DWG. REMOVE & DISCARD SECTION OF COLD WATER SUPPLY TO ACCOMMODATE NEW MAIN FLOOR WATER COOLER LOCATION.
 - 5 MODIFY EXISTING WASHROOM DWV SYSTEM TO ACCOMMODATE NEW LOCATION FOR MAIN FLOOR WATER COOLER.



PARTIAL MAIN FLOOR PLAN - DEMOLITION - PLUMBING
SCALE: 1/8"=1'-0"

MAIN FLOOR DEMOLITION NOTES - PLUMBING

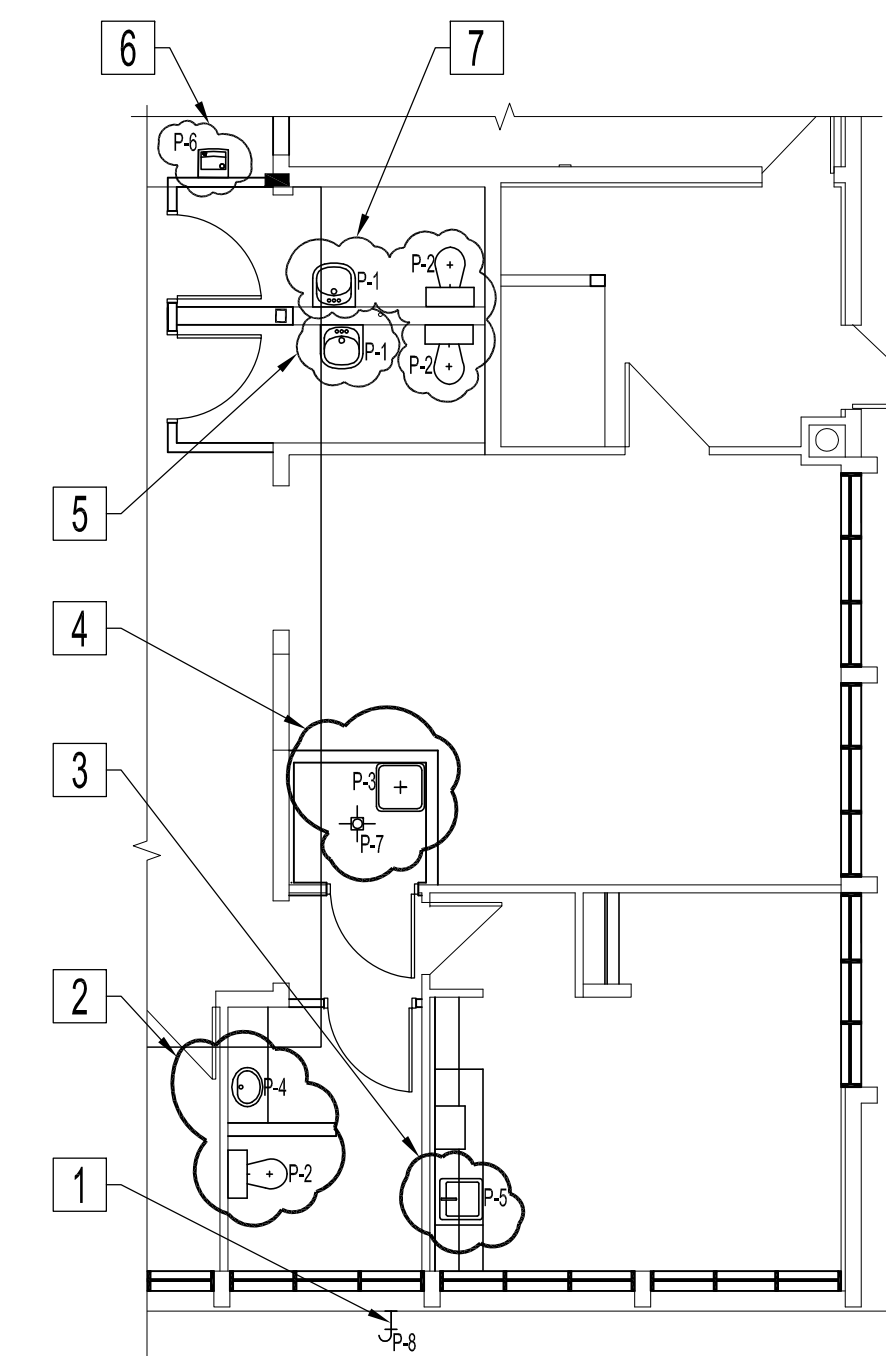
- ALSO SEE BASEMENT FLOOR DEMOLITION NOTES - PLUMBING
- EXISTING TO REMAIN
 - - - TO BE DEMOLISHED.
- 1 REMOVE & DISCARD STAFF WASHROOM LAVATORY, FAUCETS, P-TRAP, DRAIN BRANCH, HOT & COLD SUPPLIES AND SHUT-OFF VALVES. REMOVE & DISCARD WATER CLOSET FLANGE & COLD WATER SUPPLY & SHUT-OFF VALVE.
 - 2 REMOVE & DISCARD JANITOR SERVICE SINK, FAUCETS, HOT & COLD SUPPLIES & SHUT-OFF VALVES. REMOVE & DISCARD P-TRAP & IN-WALL DRAIN BRANCH & CAP AT DWV STACK.
 - 3 REPLACE STAFF LOUNGE SINK, FAUCETS, P-TRAP & SHUT-OFF VALVES.
 - 4 REMOVE & DISCARD WORK ROOM SINK, P-TRAP & DRAIN BRANCH. CAP AT IN-WALL DWV STACK. REMOVE & DISCARD HOT & COLD SUPPLIES & SHUT-OFF VALVES.
 - 5 REMOVE & DISCARD WASHROOM LAVATORY, FAUCETS, P-TRAP & DRAIN BRANCH TO DWV. MODIFY EXISTING IN-WALL HOT & COLD SUPPLIES & DRAIN BRANCH TO ACCOMMODATE NEW LAVATORY LOCATION.
 - 6 REMOVE & DISCARD DRINKING FOUNTAIN P-TRAP & IN-WALL DRAIN BRANCH & CAP AT DWV STACK. REMOVE & DISCARD COLD WATER SUPPLY & SHUT-OFF VALVE.
 - 7 REPLACE WASHROOM WATER CLOSETS, CLOSET FLANGES, LAVATORY, P-TRAP, DRAIN BRANCH, FAUCET, & SHUT-OFF VALVES.



BASEMENT FLOOR PLAN - RENOVATION - PLUMBING
SCALE: 1/8"=1'-0"

BASEMENT FLOOR RENOVATION NOTES - PLUMBING
SUPPLY & INSTALL NEW AS NOTED.

- 1 STAFF WASHROOM (RM.117) WATER CLOSET & LAVATORY SANITARY LINES. CONNECT TO EXISTING DWV. STACK. DOMESTIC HOT & COLD WATER SUPPLY PIPE RUNS & RISERS TO MAIN FLOOR FIXTURE LOCATIONS.
- 2 JANITOR (RM.116) SERVICE SINK P-TRAP, DRAIN PIPE COMPLETE CLEAN-OUT. CONNECT TO EXISTING DWV STACK. SERVICE SINK DOMESTIC HOT & COLD WATER SUPPLY PIPES & RISERS. INSTALL NEW SHUT-OFF VALVES CLOSE TO CEILING BASEMENT.
- 3 EXTEND EXISTING DOMESTIC COLD WATER SUPPLY & RISER TO MAIN FLOOR WATER COOLER. RUN NEW BRANCH DRAIN IN CRAWLSPACE THROUGH BASEMENT CONCRETE WALL AND CONNECT TO EXISTING DRAIN LINE BETWEEN MAIN FLOOR LAVATORY VERTICAL DRAIN AND WATER CLOSET DWV. STACK. MOUNT NEW DRAIN LINE 14" (MAXIMUM) BELOW BASEMENT CEILING.



PARTIAL MAIN FLOOR PLAN - RENOVATION - PLUMBING
SCALE: 1/8"=1'-0"

MAIN FLOOR RENOVATION NOTES - PLUMBING
SUPPLY & INSTALL NEW AS NOTED.

- 1 EXTERIOR HOSE BIB. CONNECT TO EXISTING.
- 2 STAFF WASHROOM (RM.117) WATER CLOSET, CLOSET FLANGE, DOMESTIC COLD WATER SUPPLY & SHUT-OFF VALVE. NEW LAVATORY, FAUCET & COMPONENTS, SOLENOID VALVE, CONTROL BOX & HOSES. MOUNT NO LOWER THAN 24" ABOVE FINISHED FLOOR.
- 3 STAFF WASHROOM (RM.117). RE-CONNECT NEW SINK DRAIN & DOMESTIC HOT & COLD SUPPLIES TO EXISTING.
- 4 JANITOR (RM.116) SERVICE SINK. INSTALL IN CORNER OF ROOM AS SHOWN. SUPPLY & INSTALL FAUCET AT HEIGHT RECOMMENDED BY MANUFACTURER. SUPPLY & INSTALL 3" FLOOR DRAIN CENTERED WITHIN ROOM.
- 5 UNISEX WASHROOM (RM.110) LAVATORY, FAUCET & COMPONENTS, SOLENOID VALVE, CONTROL BOX & HOSES. MOUNT NO LOWER THAN 24" ABOVE FINISHED FLOOR. EXTEND EXISTING IN-WALL DRAIN & DOMESTIC HOT & COLD SUPPLY LINES TO ACCOMMODATE NEW LAVATORY LOCATION.
- 6 WATER COOLER (RM. 105). MOUNT WATER COOLER TO WALL AS PER THE CITY OF WINNIPEG ACCESSIBILITY DESIGN STANDARD HEIGHT REQUIREMENTS. CONNECT DRAIN LINE TO EXISTING DWV STACK. ALSO SEE ELECTRICAL DWG.
- 7 UNISEX WASHROOM (RM.109) LAVATORY, FAUCET & COMPONENTS, SOLENOID VALVE, CONTROL BOX & HOSES. MOUNT NO LOWER THAN 24" ABOVE FINISHED FLOOR. CONNECT DRAIN & DOMESTIC HOT & COLD SUPPLIES TO EXISTING

PLUMBING SCHEDULE		
TAG	TYPE	DESCRIPTION
P-1		AMERICAN STANDARD, 'MURRO' UNIVERSAL DESIGN WALL HUNG LAVATORY, MODEL 0955.000 VITREOUS CHINA WITH CENTER HOLE ONLY, WITH SHROUD / KNEE CONTACT GUARD, MODEL 0059.020, FITTED WITH DELTA HANDS FREE, HARD WIRED LAVATORY FAUCET, MODEL 590 - PLGHDF C/W TRANSFORMER, HARD WIRED KITS AND MIXING VALVE. CAST WHEELCHAIR LAVATORY WASTE, DELTA MODEL 337290, CAST "P" TRAP, DELTA MODEL 337311, CHROME ANGLE LAVATORY SUPPLIES, DELTA MODEL 4772512SD, (MOUNT TRANSFORMER IN WALL CAVITY WITH ACCESS PANEL, ONE TRANSFORMER PROVIDES POWER TO ALL ELECTRONIC FAUCETS).
P-2		CRANE, ECONOMISER ONE BIG FOOT, 4 LITRE FLUSH, COLOR: WHITE, MODEL 31888, ADA ELONGATED FRONT, RELAXED HEIGHT 16-5/8" HIGH, TWO-PIECE TOILET COMBINATION, 12" ROUGH-IN, INCLUDES ECOFLUSH PRESSURE ASSIST VESSEL AND SIDE MOUNT, LEFT HAND, POLISHED CHROME, TIP LEVER, WITH TOILET SEAT MODEL 8080, COLOR: WHITE.
P-3		SWANSTONE # MS24243 MOP SINK, 24"x24"x10" DEEP, COMPRESSION MOLDED STONE COMPOSITE FLOOR-MOUNTED, JANITOR MOP SINK COMPLETE WITH 2" IPS CAST BRASS, 2" DRAIN SEAL GASKET & STRAINER. WALL MOUNTED 2-HANDLE SERVICE SINK FAUCET, MOEN, M-DURA MODEL # 8320, FINISH: CHROME.
P-4		AMERICAN STANDARD SELF-RIMMING, AQUALYN, COUNTERTOP LAVATORY, VITREOUS CHINA, MODEL #. 0475.047, CENTER HOLE ONLY, COLOR: WHITE, FITTED WITH DELTA HANDS FREE, HARD WIRED LAVATORY FAUCET, MODEL 590 - PLGHDF C/W TRANSFORMER, HARD WIRED KITS AND MIXING VALVE. CAST WHEELCHAIR LAVATORY WASTE, DELTA MODEL 337290, CAST "P" TRAP, DELTA MODEL 337311, CHROME ANGLE LAVATORY SUPPLIES, DELTA MODEL 4772512SD, (MOUNT TRANSFORMER TO WALL BELOW COUNTERTOP, PANEL, ONE TRANSFORMER PROVIDES POWER TO ALL ELECTRONIC FAUCETS), OFFSET OPEN GRID CAST BRASS LAVATORY WASTE, DELTA 337290, "P" TRAP, DELTA 337311 LAVATORY SUPPLIES 12" LONG FLEX BRAIDED S/S T RISER, SCREWDRIWER SLOTS, DELTA 4772512SD.
P-5		STAINLESS STEEL 1-BOWL KITCHEN SINK WITH FAUCET LEDGE- KINDRED MODEL OSL2020-8-3, KITCHEN FAUCET WITH SPRAY 3-HOLE- MOEN MODEL 47134.
P-6		ELKAY, MODEL LZS8, 120V / 1PH / 60HZ, STAINLESS STEEL, SELF-CONTAINED WALL HUNG ELECTRIC REFRIGERATED WATER COOLER WITH WATERSENTRY VII FILTER SYSTEM. OPTIONS: STAINLESS STEEL LOWER SHROUDS. (7) ADDITIONAL REPLACEMENT WATER FILTERS FOR WATERSENTRY VII SYSTEM.
P-7		ZURN # ZXN-211-A, 3" FLOOR DRAIN WITH HEAVY-DUTY, NICKEL BRONZE ROUND STRAINER WITH INLINE 3" FLOOR DRAIN TRAP SEALER, SURESEAL MODEL SS3000.
P-8		ZURN #Z1305-VB, WALL HYDRANT WITH ADAPTER VACUUM BREAKER ENCASED, NON FREEZE.

NOTES:
ALSO SEE ARCHITECTURAL, ROOF & ELECTRICAL DWG'S & NOTES.
ALL PLUMBING WORK SHALL BE PERFORMED IN ACCORDANCE TO THE CURRENT NATIONAL PLUMBING CODE OF CANADA & CITY OF WINNIPEG BY-LAWS.
ALL PLUMBING FIXTURES SHALL BE INSTALLED IN ACCORDANCE TO CURRENT CITY OF WINNIPEG ACCESSIBILITY DESIGN STANDARDS.

No.	REVISION/DESCRIPTION	BY	DATE
SEAL			

DRAWN	RCP	CHECKED	DTA	DESIGNED	DTA	APPROVED
DATE	2012.08.17	USER				

THE CITY OF WINNIPEG
PLANNING, PROPERTY AND
DEVELOPMENT DEPARTMENT
MUNICIPAL ACCOMMODATIONS DIVISION
3-65 GARRY STREET, R3C 4K4

PROJECT
FORT GARRY LIBRARY
INTERIOR & EXTERIOR REFURBISHING

1360 PEMBINA HWY

SHEET TITLE
BASEMENT & PARTIAL MAIN FLOOR PLAN
DEMOLITION & RENOVATION
PLUMBING

SCALE	PROJECT No:	SHEET No:
AS SHOWN	2011-096	M5