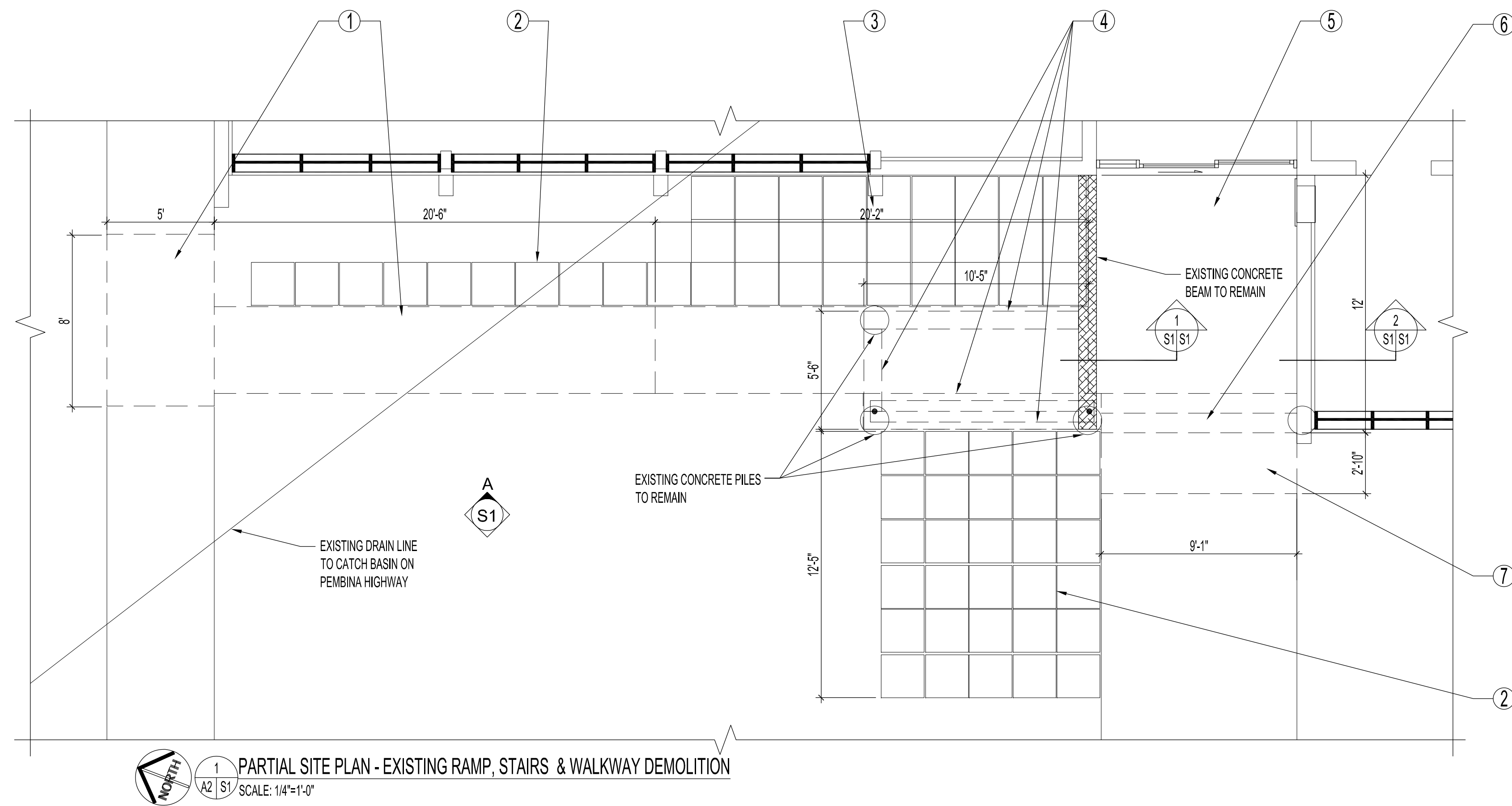


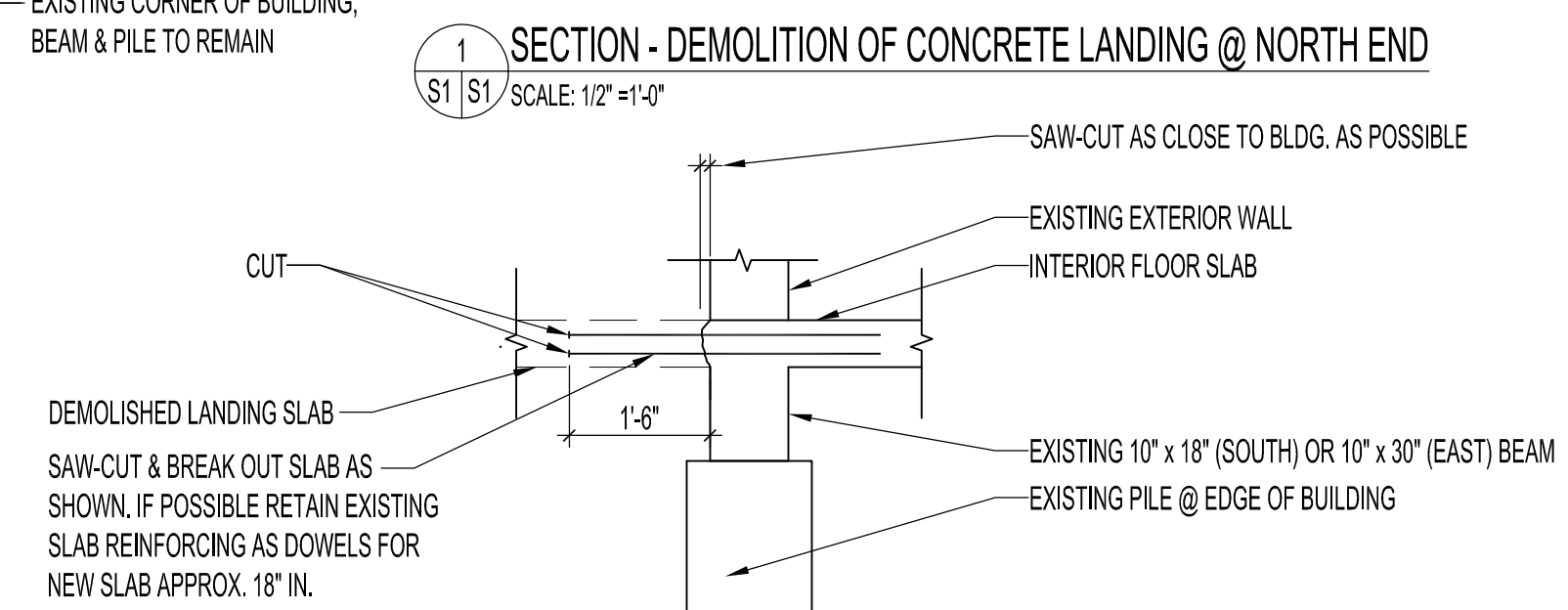
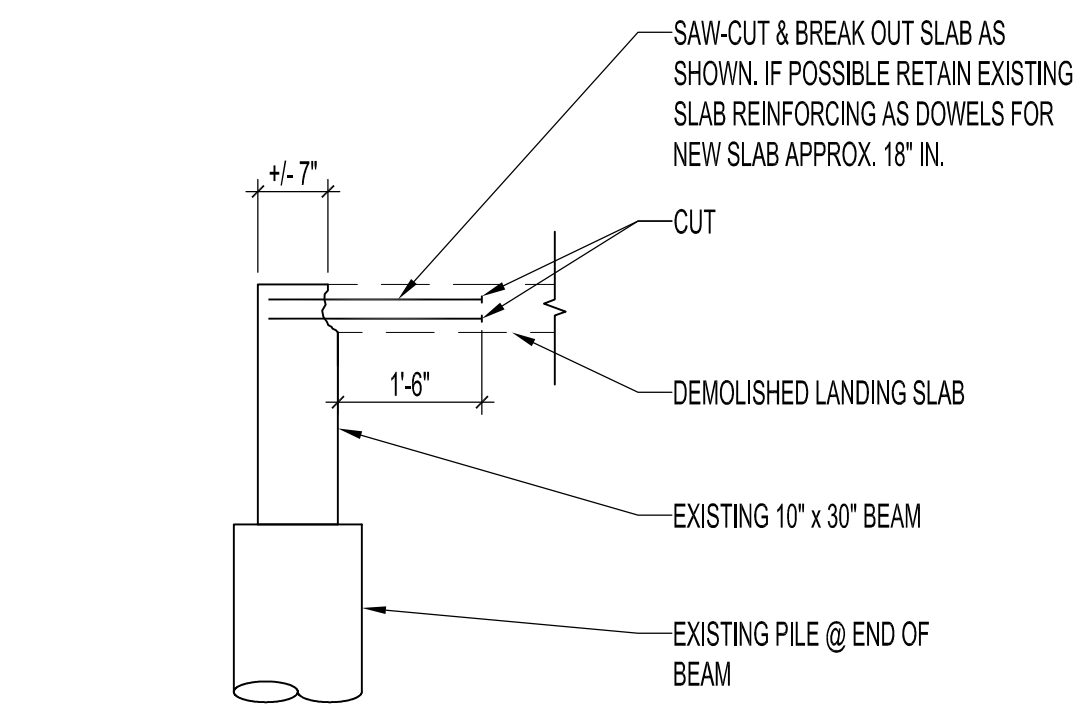
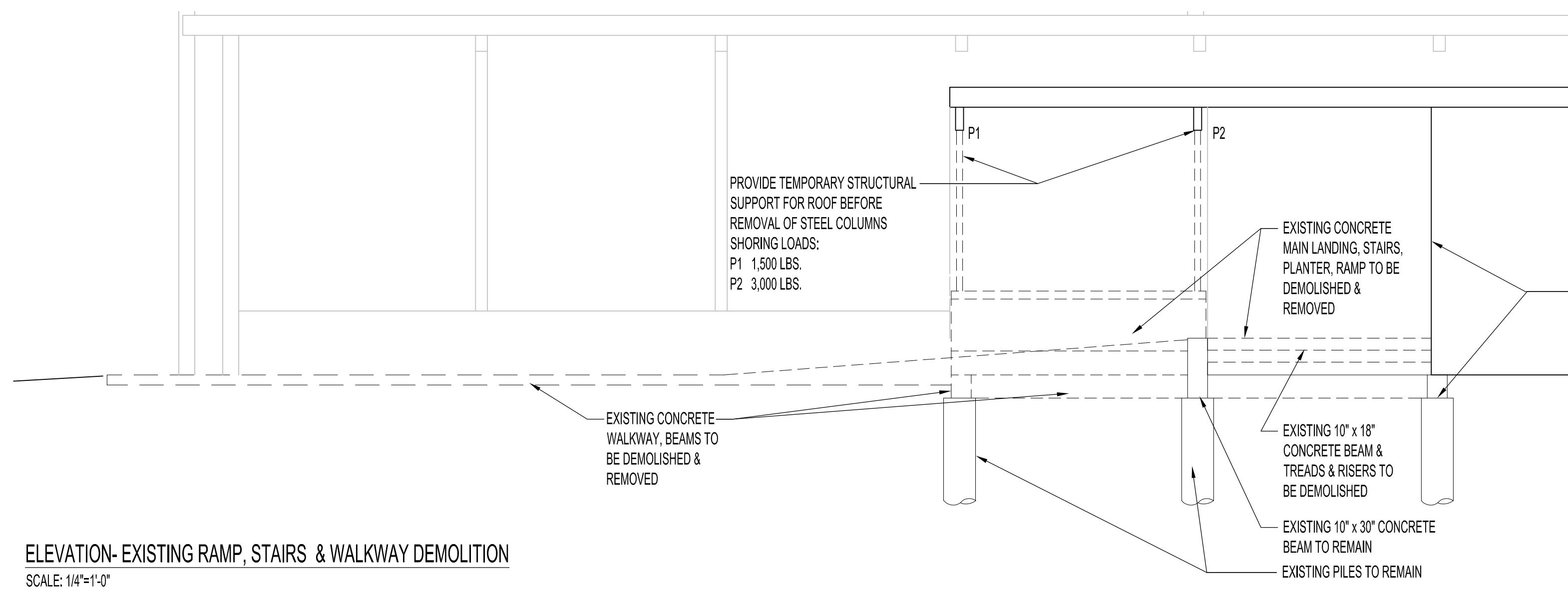
FILE NAME: 2011-096/0.dwg/S1 DATE: 2012.07.24 SHEET TITLE: PARTIAL SITE PLAN-RAMP STAIR & WALKWAY DEMOLITION PROJECT No: 2011-096 ADDRESS: 1360 PEMBINA HIGHWAY

NOTES:



DEMOLITION NOTES:

- 1 SAW CUT, DEMOLISH & REMOVE EXISTING CONCRETE WALKWAY AS DIMENSIONED. PREPARE SURFACES FOR NEW CONCRETE LANDINGS PADS & RAMPS.
- 2 REMOVE & DISCARD ALL CONCRETE PADS AS SHOWN. BENCH TO BE REMOVED FROM CONCRETE & DISCARDED. SEE LANDSCAPE DRAWING FOR NEW FINISHES.
- 3 DEMOLISH & REMOVE CONCRETE RAMP & METAL RAILING AS DIMENSIONED.
- 4 DEMOLISH EXISTING BEAMS DOWN TO EXISTING PILES. DEMOLISH EXISTING FACE BRICK PLANTER, STEEL SUPPORT COLUMNS DOWN TO PILES. EXISTING BEAMS AS SHOWN ON PLAN TO REMAIN. PREPARE SURFACES FOR NEW FOUNDATIONS, BEAMS, RAMP & STEEL COLUMNS
- 5 DEMOLISH EXISTING HAND RAILINGS. (PATCH EXISTING FACE BRICK ON WALL WHERE RAIL WAS REMOVED). DEMOLISH EXISTING MAIN STAIR LANDING, STAIRS DOWN TO BEAMS. PREPARE SURFACES FOR NEW LANDING & STAIRS. SEE DEMOLITION SECTIONS FOR DETAILS.
- 6 DEMOLISH EXISTING THREE CONCRETE RISERS & TREADS, 10" x 18" BEAM AT STAIRS DOWN TO PILES.
- 7 SAW CUT, DEMOLISH & REMOVE EXISTING CONCRETE WALKWAY AS DIMENSIONED. PREPARE SURFACES FOR NEW CONCRETE APPROACH & RAILING INSERTS.



ORIGINAL STAMPED BY: B.C.PIPIUTA, P. ENG.
DATE: 2012.08.24

No.	REVISION/DESCRIPTION	BY	DATE

DRAWN	MWK	CHECKED	DESIGNED	APPROVED
DATE	2012.07.24	USER	APPROVAL	

THE CITY OF WINNIPEG
PLANNING, PROPERTY AND
DEVELOPMENT DEPARTMENT
MUNICIPAL ACCOMMODATIONS DIVISION
3-65 GARRY STREET, R3C 4K4

PROJECT
FORT GARRY LIBRARY
INTERIOR & EXTERIOR REFURBISHING
DESIGN
1360 PEMBINA HIGHWAY

SHEET TITLE
PARTIAL SITE PLAN
RAMP, STAIR & WALKWAY DEMOLITION

SCALE	PROJECT No:	SHEET No:
AS SHOWN	2011-096	S1

DRAWING SHEET SIZE: A1 (841mm x 594mm) PLOT 1:1