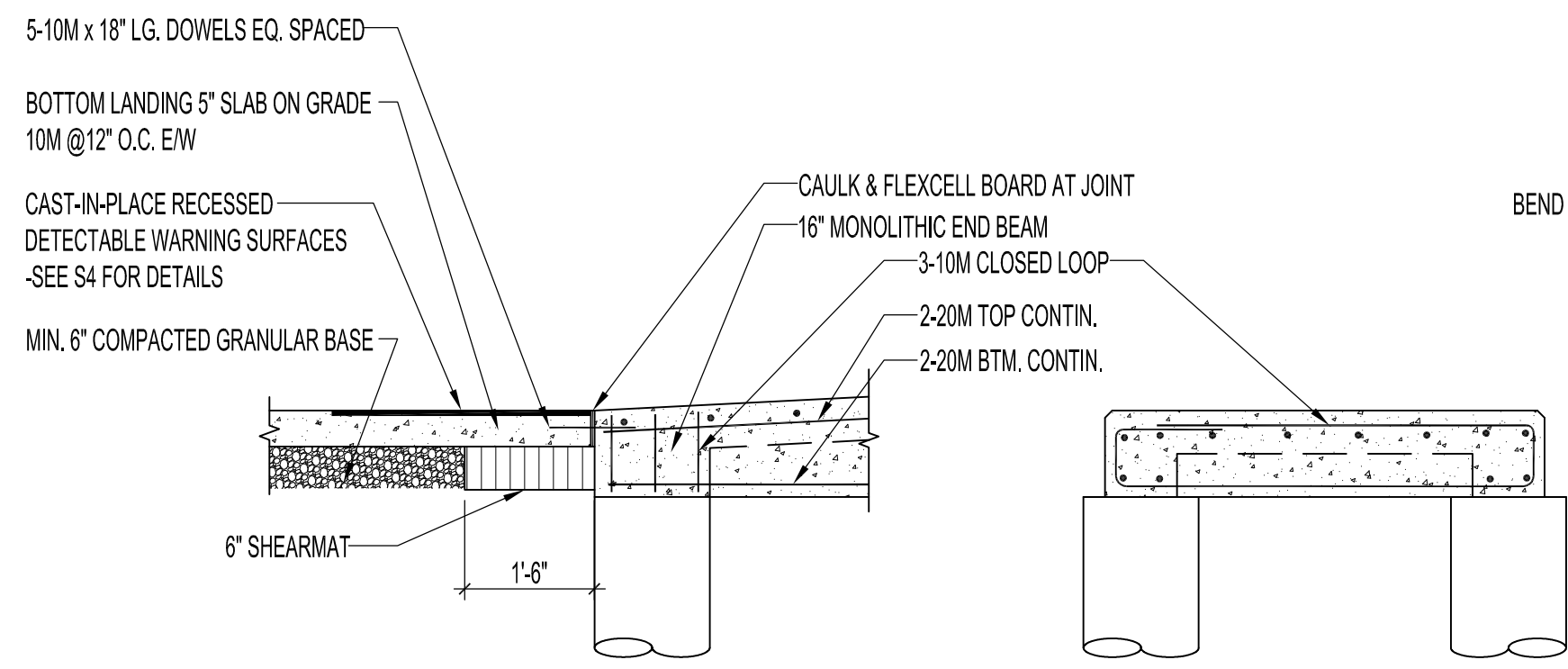
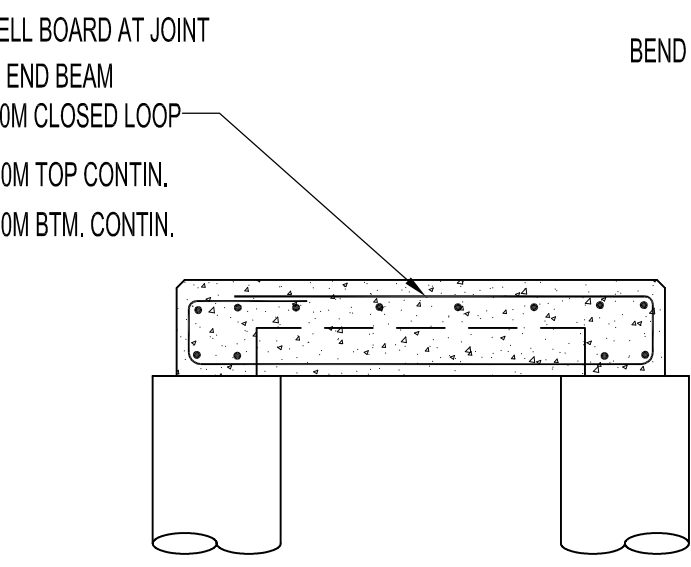


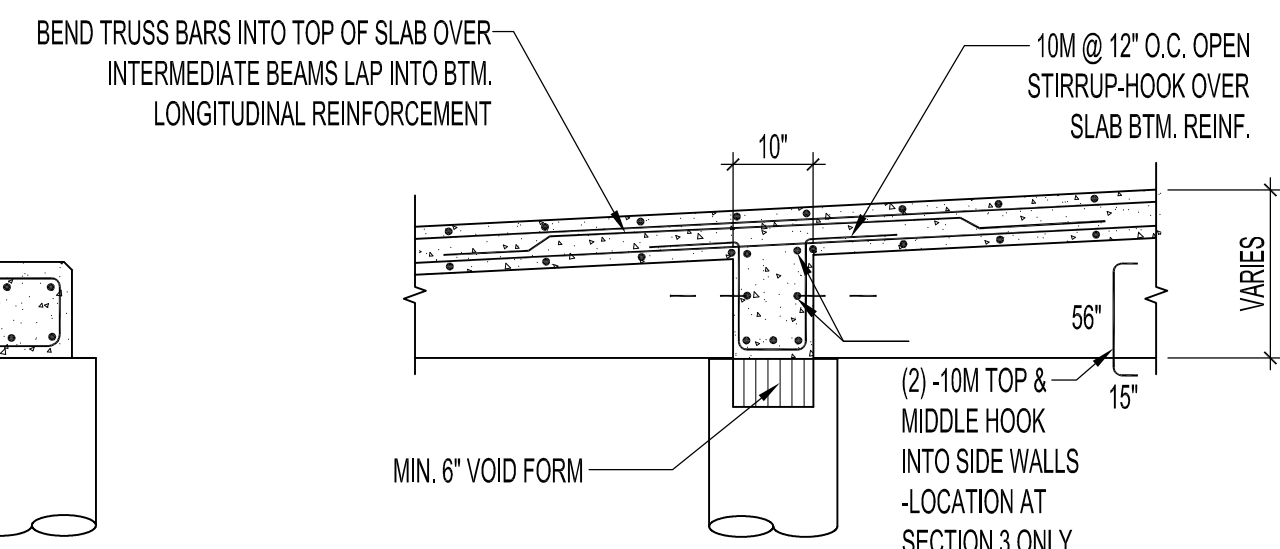
NOTES:



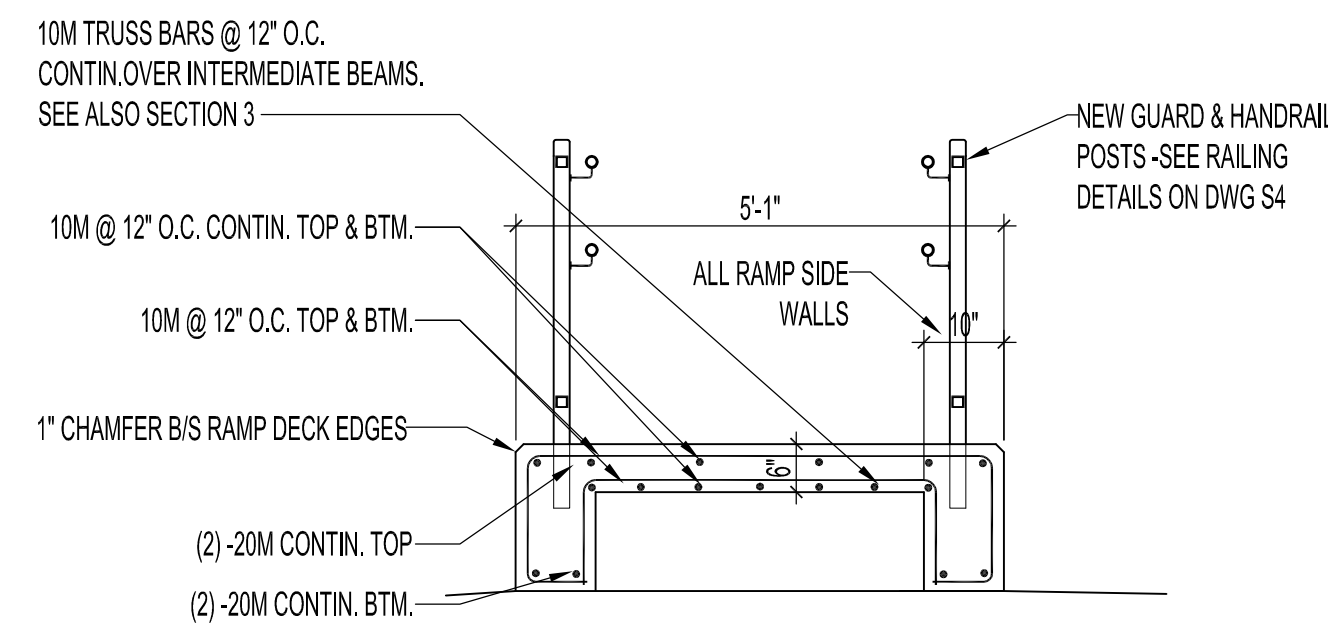
1 SECTION - LOWER END RAMP & BTM. LANDING
S2 S3 / SCALE: 1/2" = 1'-0"



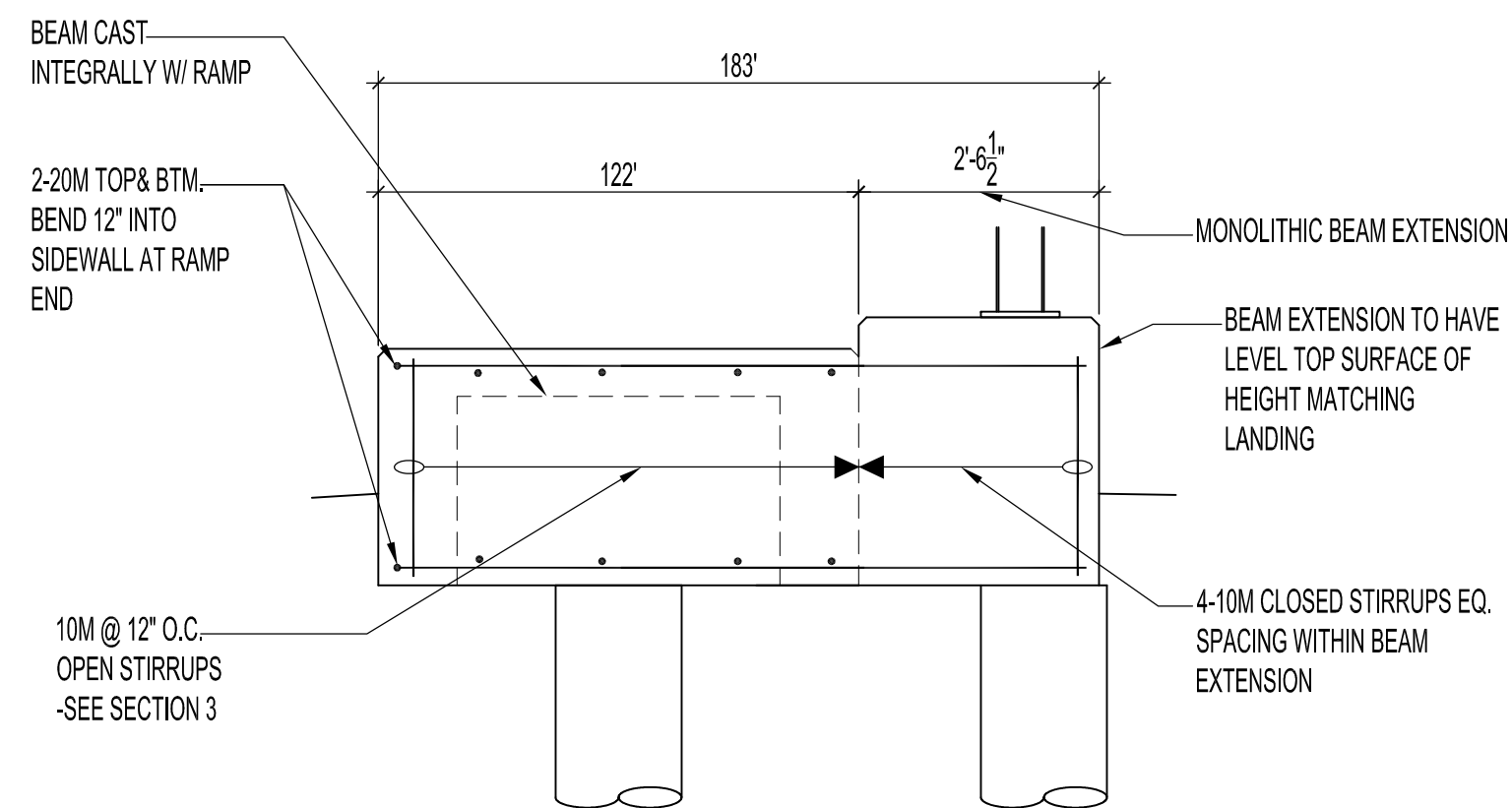
2 SECTION - LOWER END RAMP
S2 S3 / SCALE: 1/2" = 1'-0"



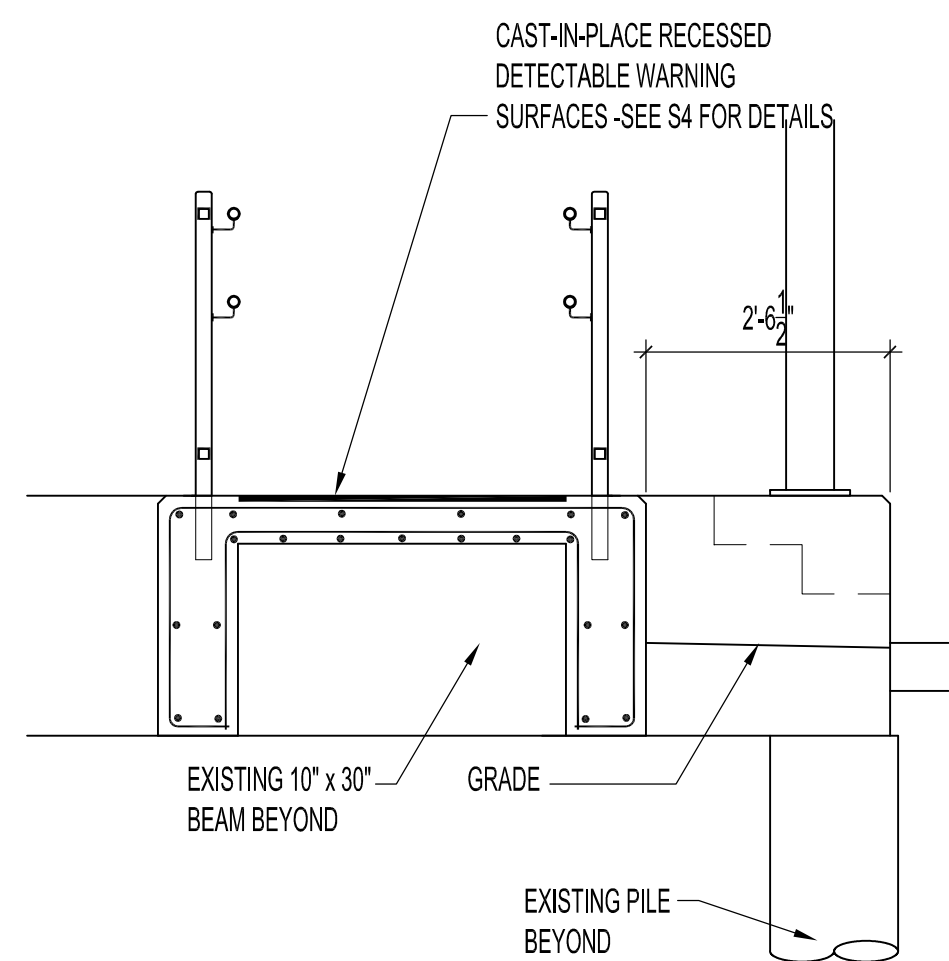
3 SECTION - MONOLITHIC INTERMEDIATE BEAM, TYP. 2 LOCATIONS
S2 S3 / SCALE: 1/2" = 1'-0" LOCATION AT SECTION 5 SIMILAR



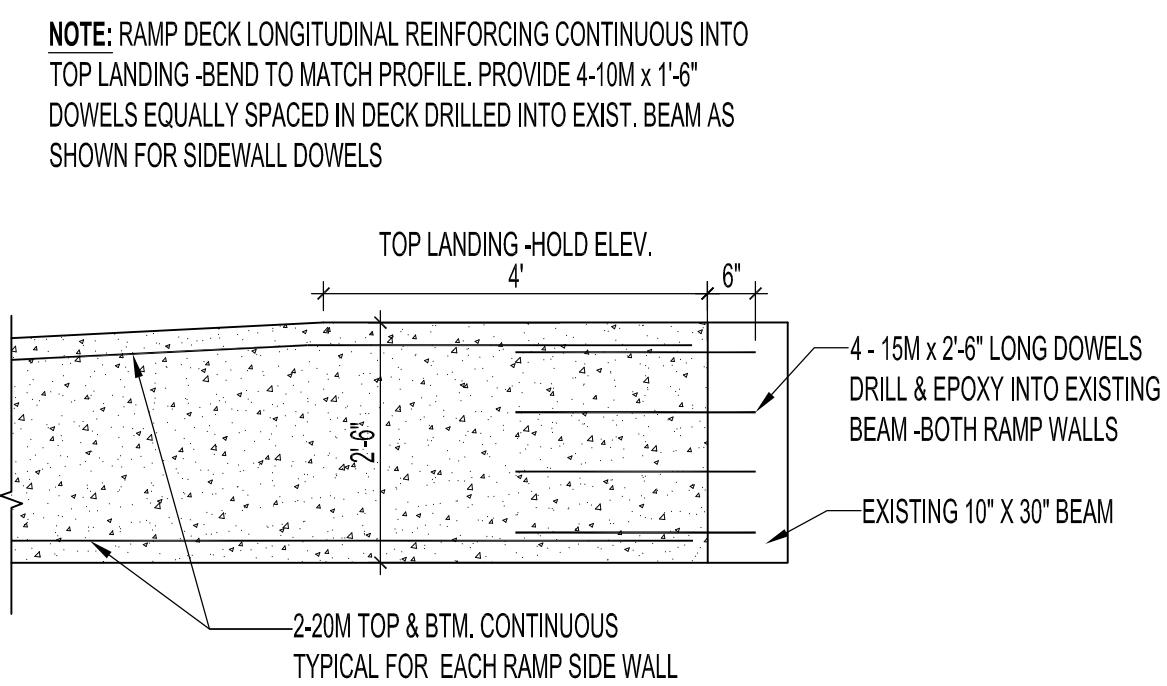
4 SECTION - RAMP STRUCTURE
S2 S3 / SCALE: 1/2" = 1'-0"



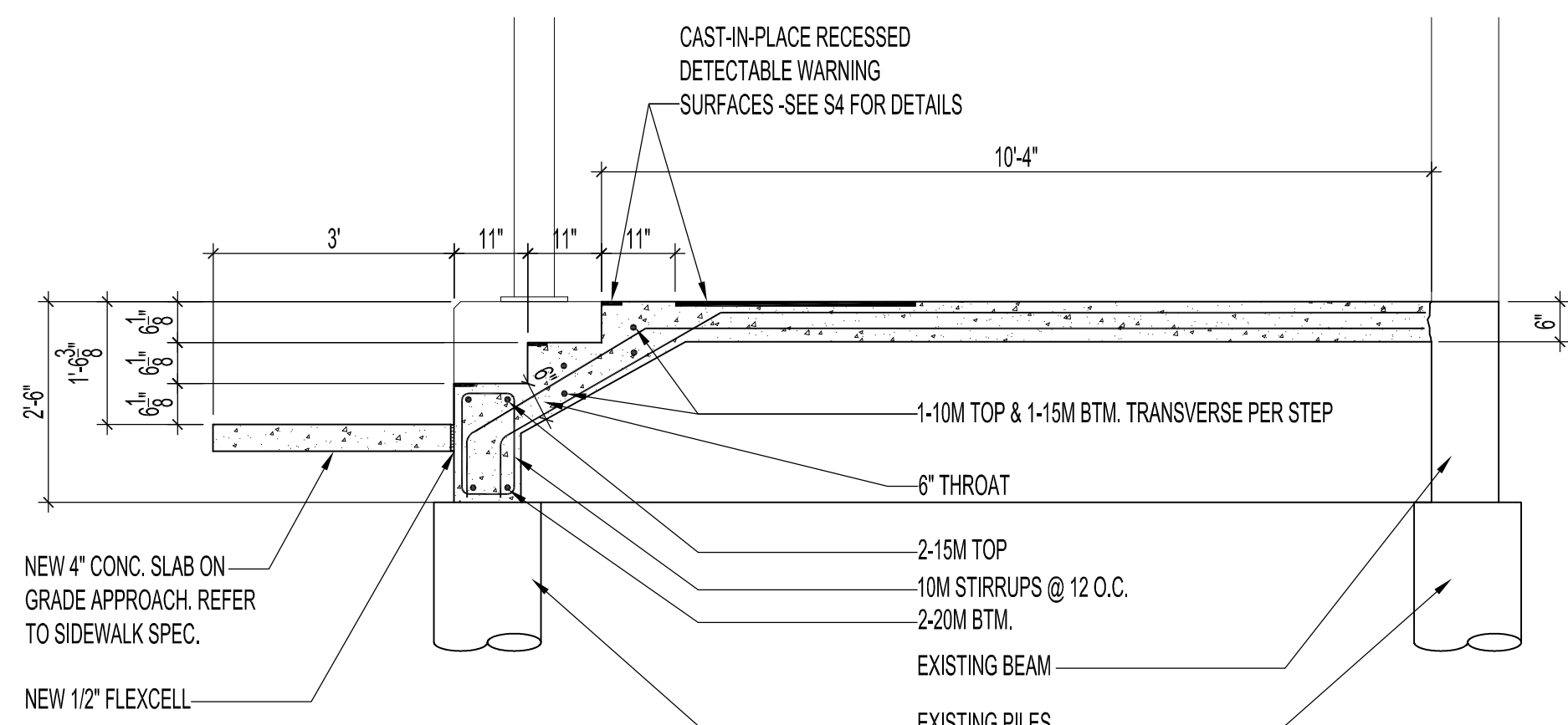
5 SECTION - MONOLITHIC INTERMEDIATE BEAM
S2 S3 / SCALE: 1/2" = 1'-0"



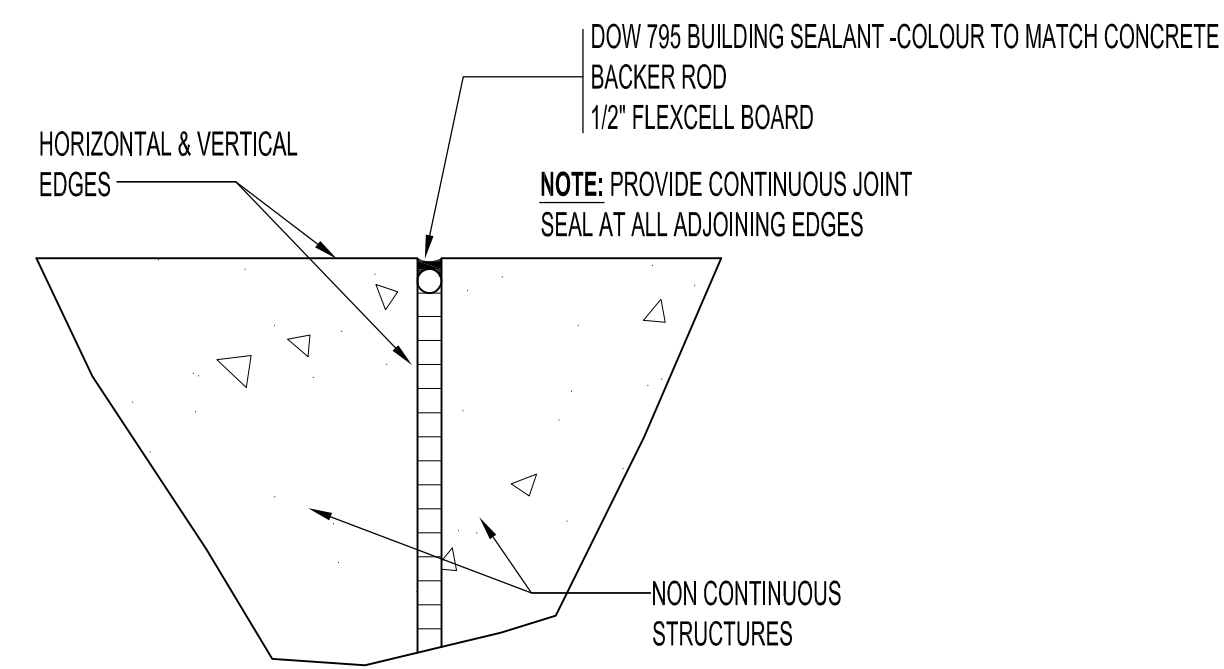
6 SECTION - RAMP STRUCTURE @ LANDING
S2 S3 / SCALE: 1/2" = 1'-0"



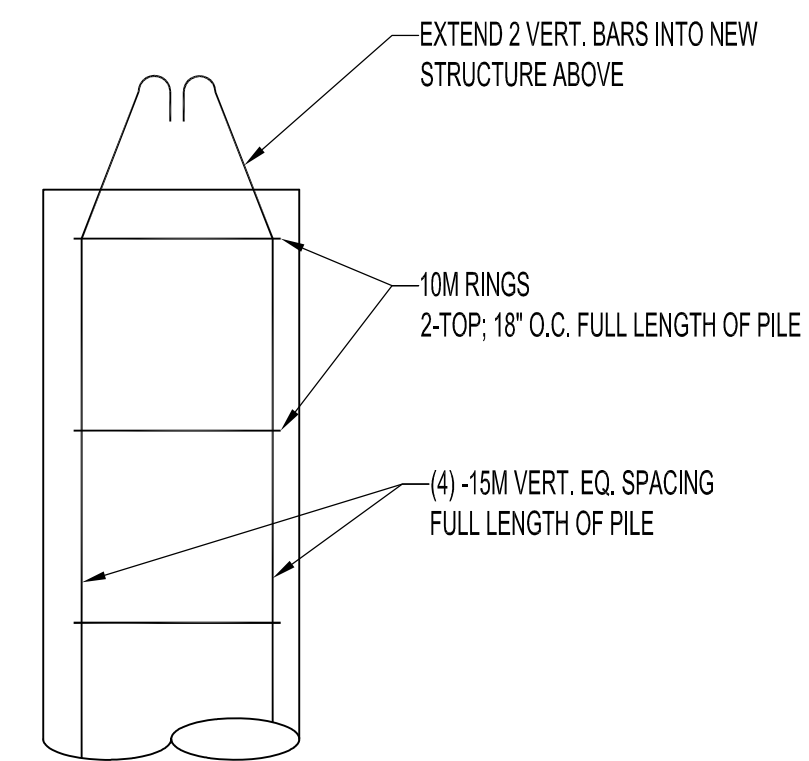
7 SECTION - UPPER RAMP ATTACHMENT TO MAIN LANDING
S2 S3 / SCALE: 1/2" = 1'-0"



8 SECTION - NEW CONCRETE LANDING & STEPS
S2 S3 / SCALE: 1/2" = 1'-0"

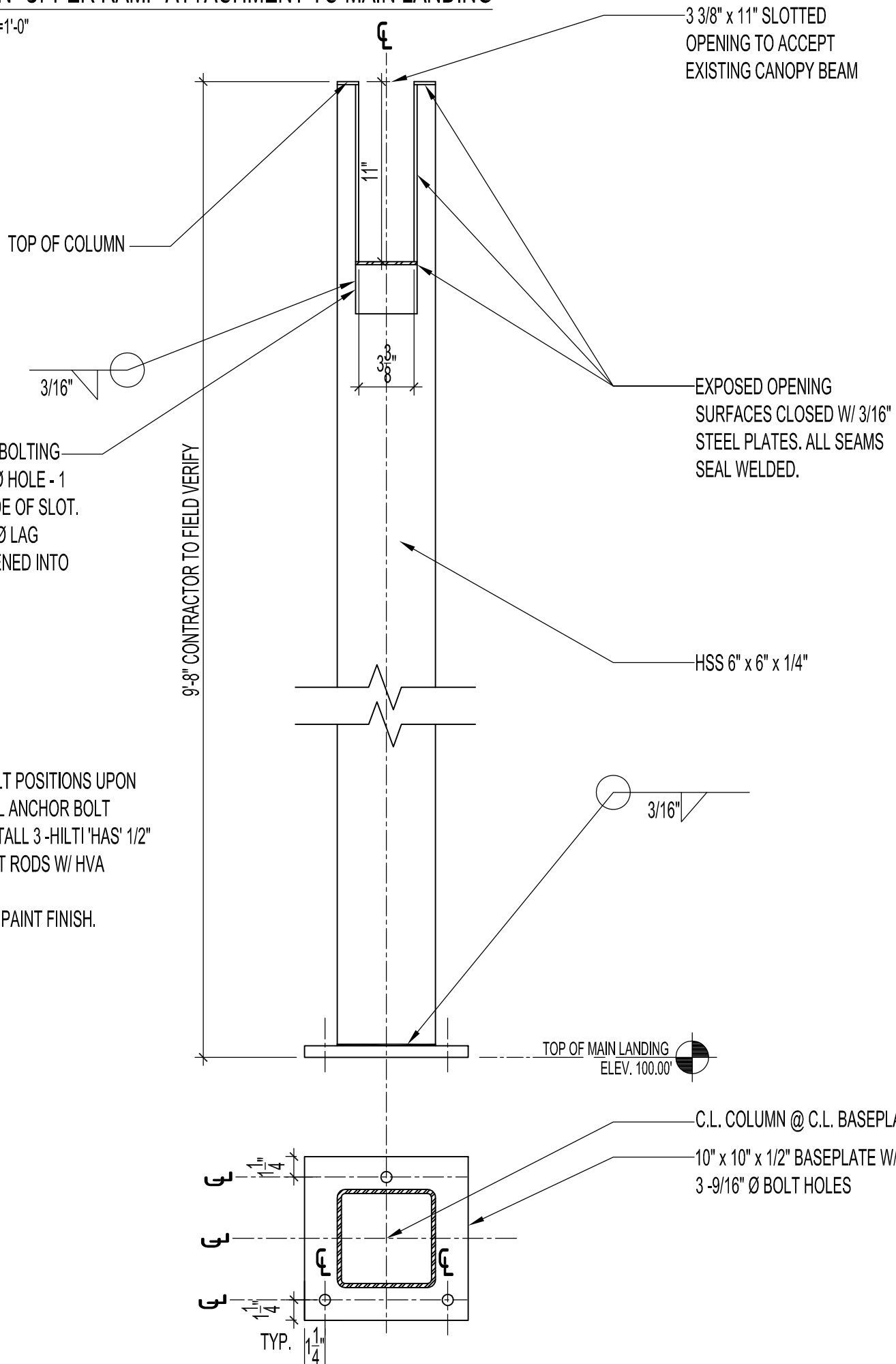


GENERAL DETAIL - CONSTRUCTION JOINT
SCALE: 3" = 1'-0"



CAST-IN-PLACE PILE REINFORCING (TYPICAL)

COLUMN INSTALLATION:
FIELD LOCATE ANCHOR BOLT POSITIONS UPON COLUMN PLACEMENT. DRILL ANCHOR BOLT HOLES IN CONC. BEAM. INSTALL 3-HILTI HAS' 1/2" Ø x 4 1/2" LONG EMBEDMENT RODS W/ HVA ADHESIVE CAPSULE.
-SEE DWG A5 FOR COLUMN PAINT FINISH.



ELEVATION - CANOPY SUPPORT COLUMN & BASEPLATE PLAN (TYPICAL)
SCALE: 1 1/2" = 1'-0"

ORIGINAL STAMPED BY: B.C.PINIUTA, P. ENG.
DATE: 2012.08.24

No.	REVISION/DESCRIPTION	BY	DATE
SEAL			

DRAWN	CHKD	DESIGNED	APPROVED
DATE: 2012.07.24	USER APPROVAL		

THE CITY OF WINNIPEG
PLANNING, PROPERTY AND
DEVELOPMENT DEPARTMENT
MUNICIPAL ACCOMMODATIONS DIVISION
3-65 GARRY STREET, R3C 4K4

PROJECT
FORT GARRY LIBRARY
INTERIOR & EXTERIOR REFURBISHING
DESIGN
1360 PEMBINA HIGHWAY

SHEET TITLE
STRUCTURAL SECTIONS
& DETAILS

SCALE	PROJECT No:	SHEET No:
AS SHOWN	2011-096	S3

DRAWING SHEET SIZE: A1 (841mm x 594mm) PLOT 1:1