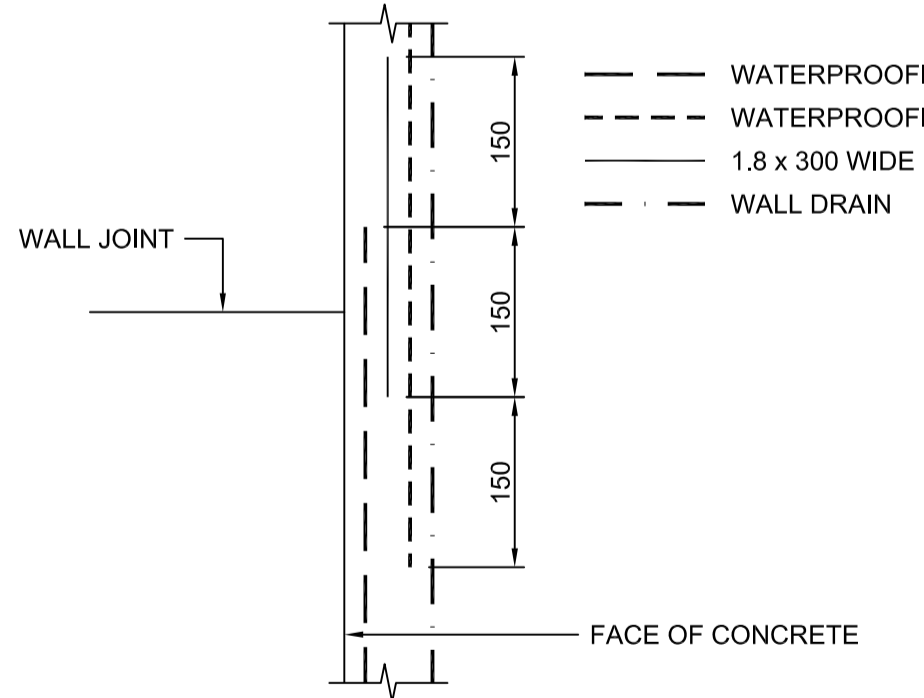
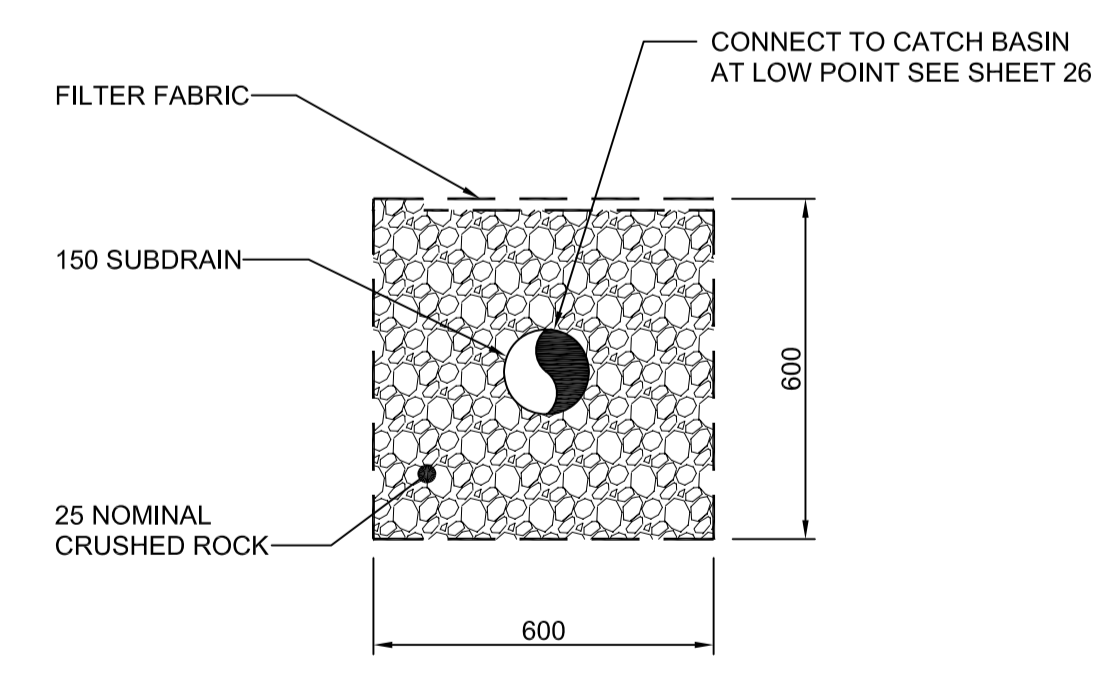


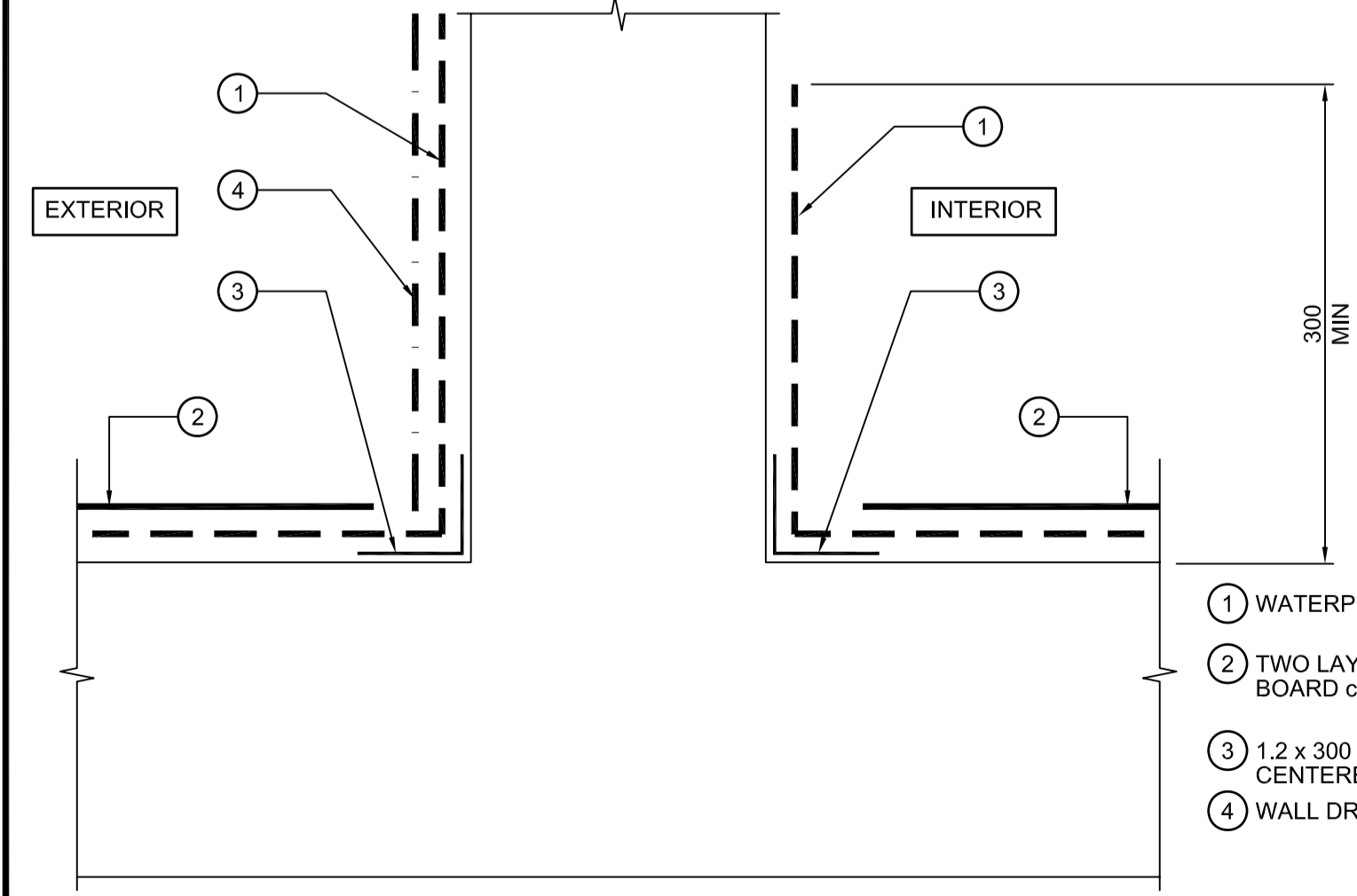
**TYPICAL INTERIOR TUNNEL SECTION**  
SCALE 1:40



**MEMBRANE SPLICE DETAIL**  
SCALE 1:20



**TYPICAL SUBDRAIN DETAIL**  
SCALE N.T.S.



**TYPICAL WATERPROOFING MEMBRANE DETAILS**  
SCALE N.T.S.

- ① WATERPROOFING MEMBRANE
- ② TWO LAYERS PROTECTION BOARD c/w STAGGERED JOINTS
- ③ 1.2 x 300 RUBBER MEMBRANE CENTERED ON JOINT
- ④ WALL DRAIN

**APEGM**  
Certificate of Authorization  
**Dillon Consulting Limited (MB)**  
No. 1789 Date: OCTOBER 13, 2009

LOCATION UNDERGROUND STRUCTURES	APPROVED DERRICK SAEDAL	B.M. ELEV.	DESIGNED BY KGW
SUPV. U/G STRUCTURES COMMITTEE	DATE NOV. 4, 2009		DRAWN BY RCB
NOTE: LOCATION OF UNDERGROUND STRUCTURES AS SHOWN ARE BASED ON THE BEST INFORMATION AVAILABLE. BUT NO GUARANTEE IS GIVEN THAT ALL EXISTING UTILITIES ARE SHOWN OR THAT THE GIVEN LOCATIONS ARE EXACT. CONFIRMATION OF EXISTENCE AND EXACT LOCATION OF ALL SERVICES MUST BE OBTAINED FROM THE INDIVIDUAL UTILITIES BEFORE PROCEEDING WITH CONSTRUCTION.			CHECKED BY KGW
			APPROVED BY DPK
			HOR. SCALE AS SHOWN
			VERTICAL AS SHOWN
			RELEASED FOR CONSTRUCTION
			DATE
			DATE 2009/06/24
			DATE

NO.	REVISIONS	DATE	BY	DATE
0	ISSUED FOR CONSTRUCTION	11/30/2009	RCB	

DESIGNED BY	KGW
DRAWN BY	RCB
CHECKED BY	KGW
APPROVED BY	DPK
HOR. SCALE	AS SHOWN
VERTICAL	AS SHOWN
RELEASED FOR CONSTRUCTION	
DATE	

**DILLON CONSULTING**

ENGINEER'S SEAL  
PROVINCE OF MANITOBA  
K.G. WILKS  
Member 33036  
2009-11-30  
CONSULTANT PROJECT NO. 088813

**THE CITY OF WINNIPEG TRANSIT DEPARTMENT**

SOUTHWEST RAPID TRANSIT CORRIDOR - STAGE 1  
TRANSITWAY TUNNEL AT CN RIVERS SUBDIVISION  
MILEAGE 1.38 & ASSOCIATED WORKS

CITY DRAWING NUMBER U237-09-07  
SHEET 07 OF 73  
CONSULTANT DRAWING NUMBER C4-G106-C

TYPICAL TUNNEL SECTION

G:\cadd\088813\Contract\Contract\_1\Current\C4-G106-P.dwg