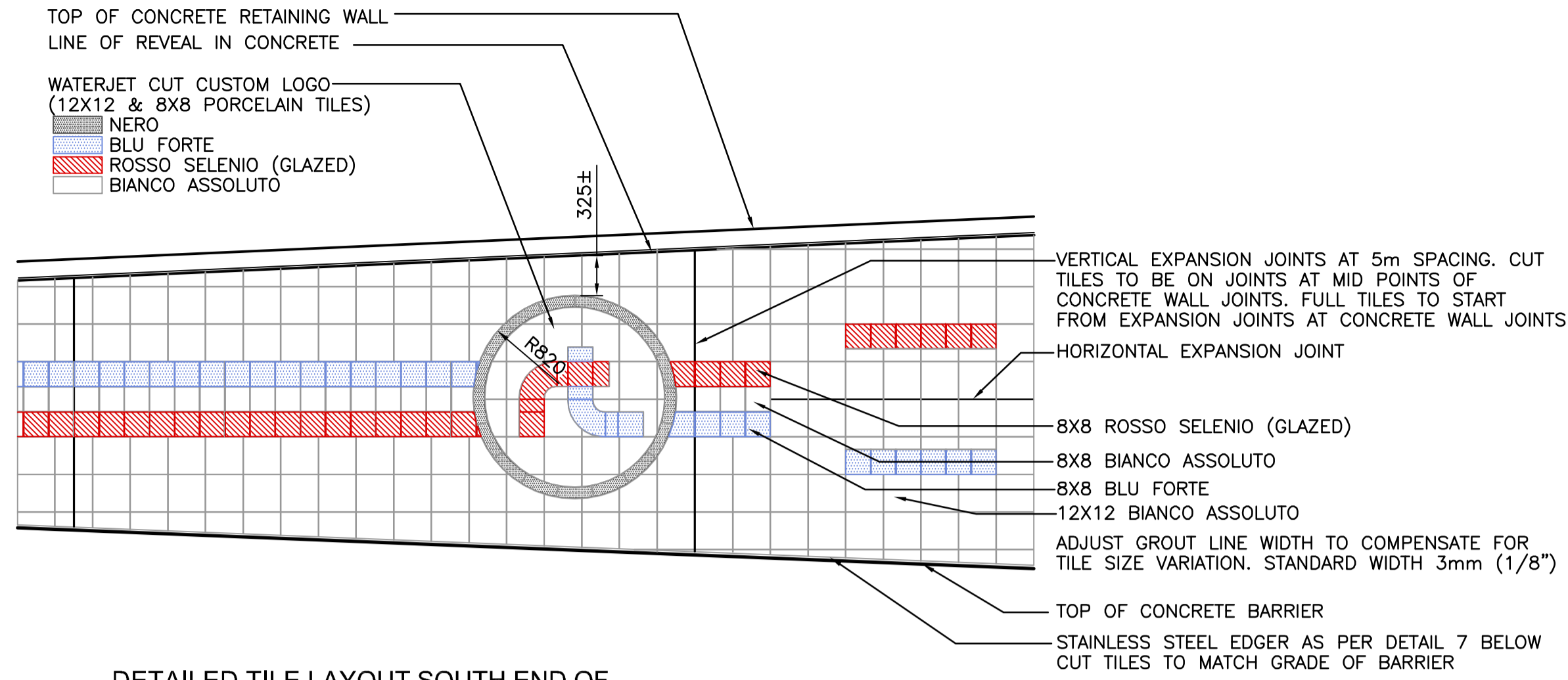
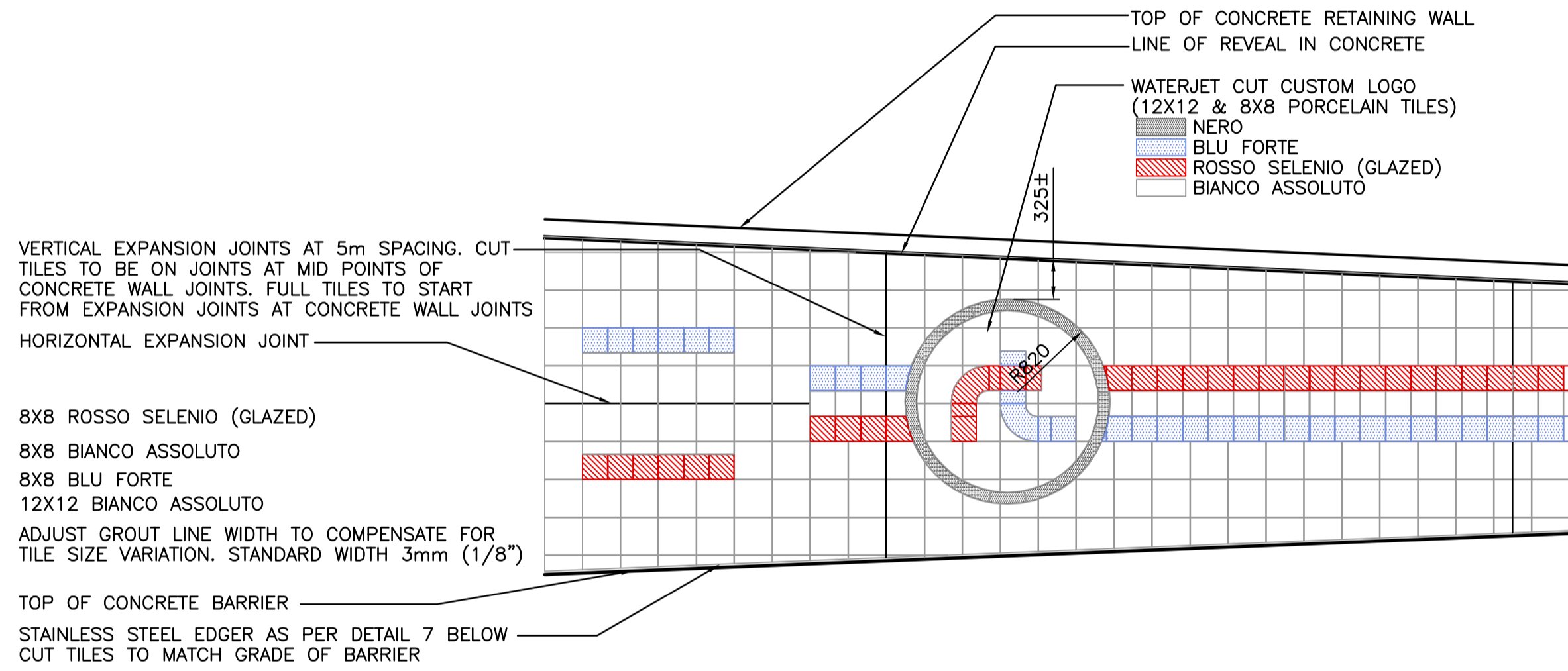


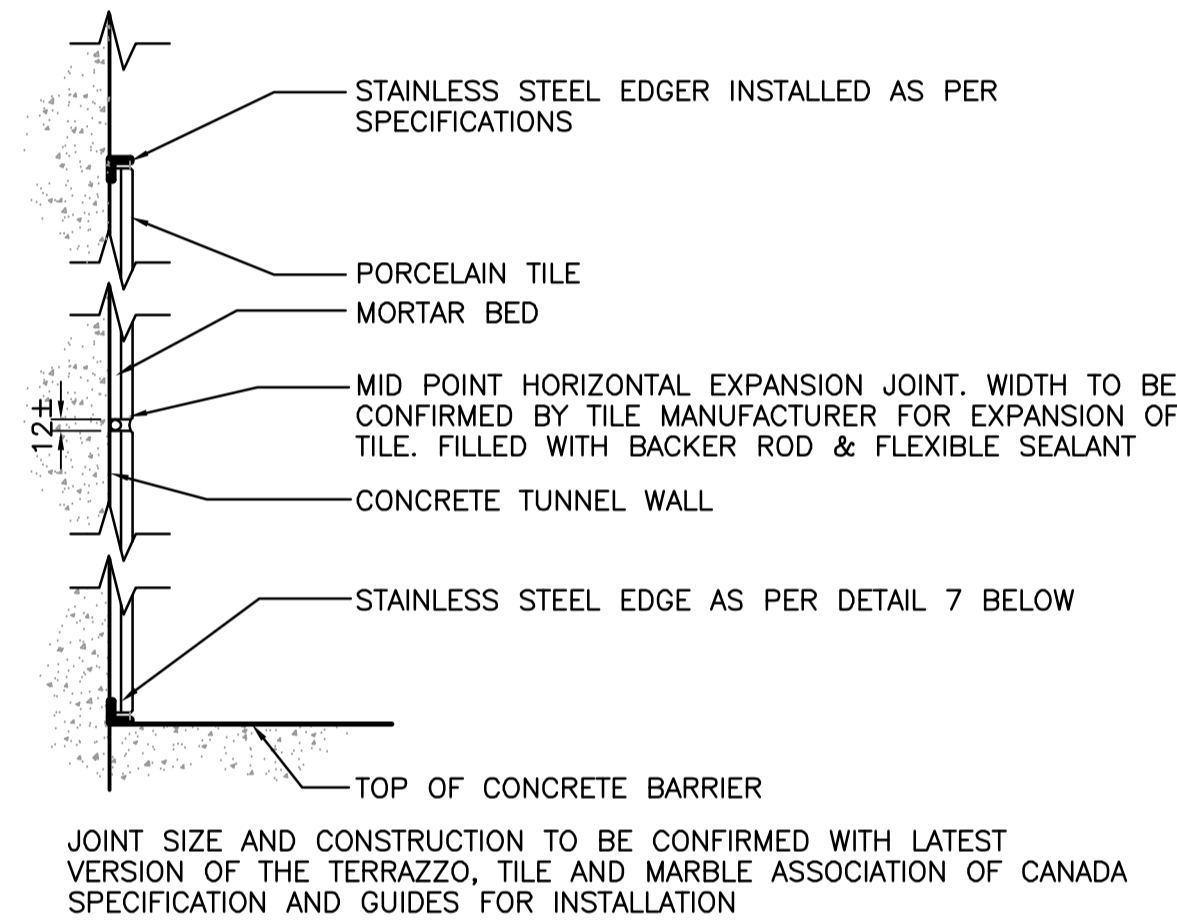
1  
59/61  
DETAILED TILE LAYOUT NORTH END OF WEST WALL



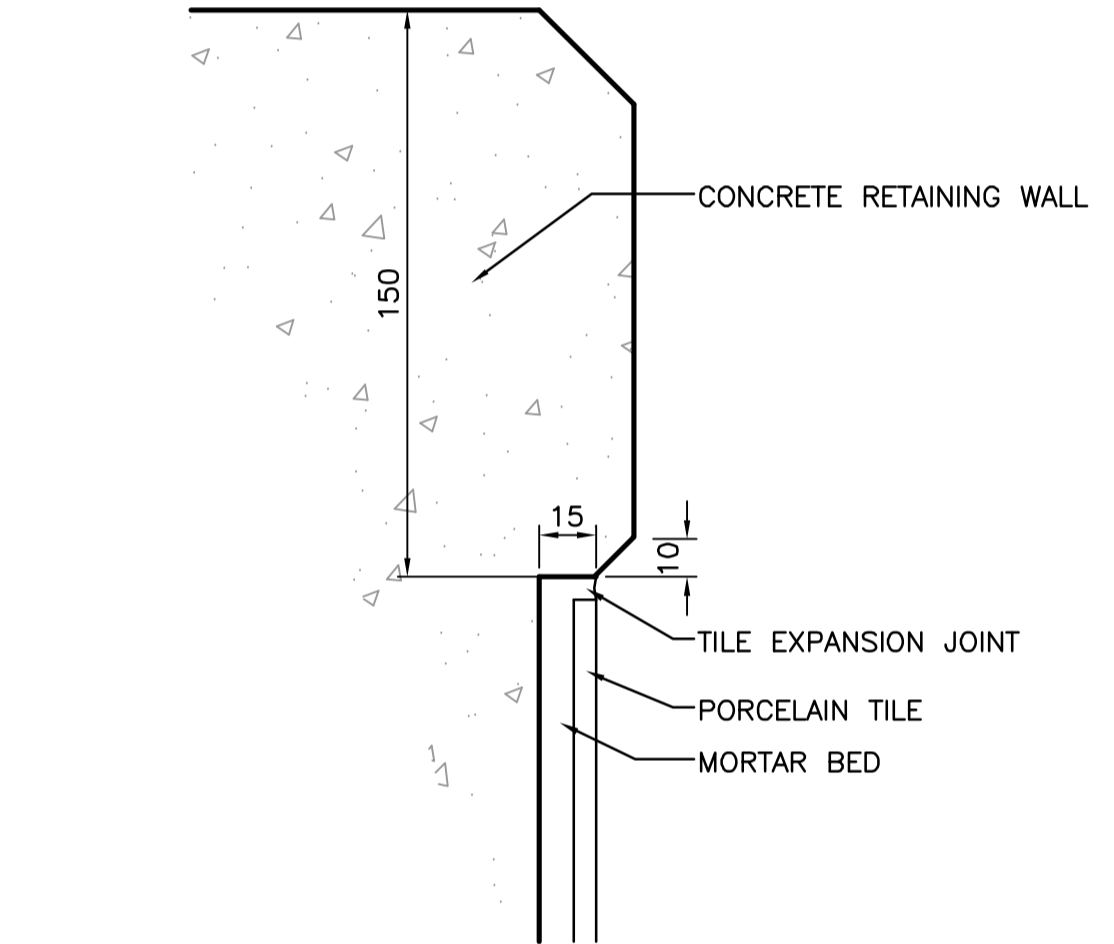
2  
59/61  
DETAILED TILE LAYOUT SOUTH END OF WEST WALL



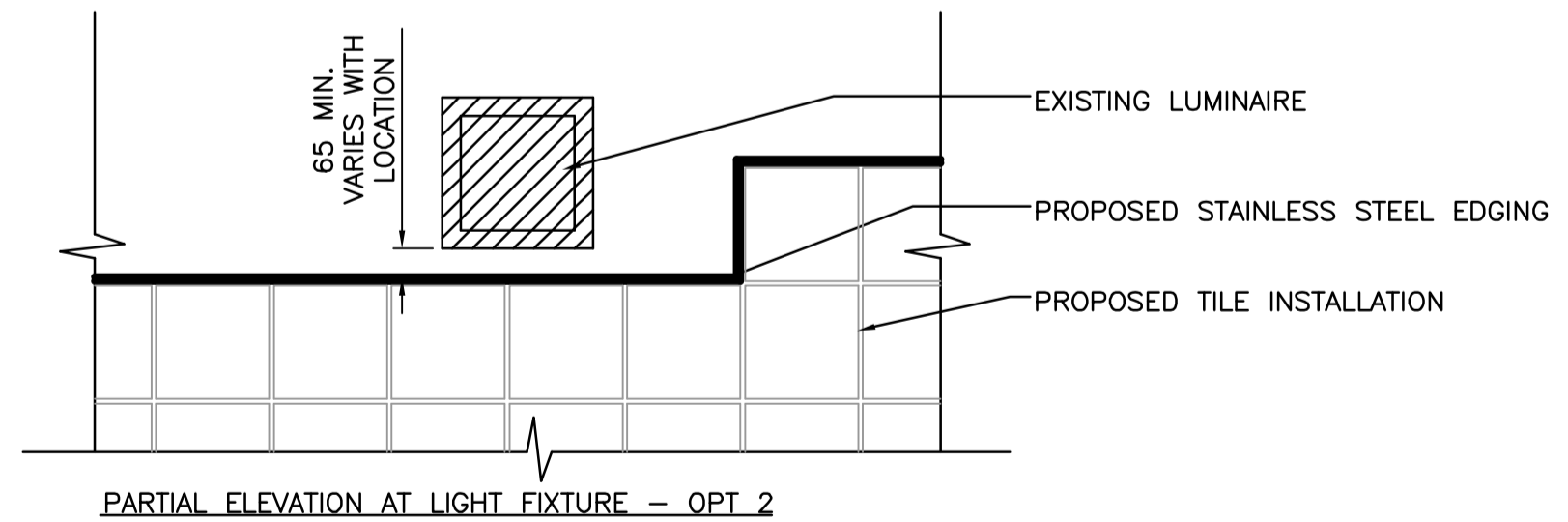
3  
60/61  
DETAILED TILE LAYOUT SOUTH END OF EAST WALL



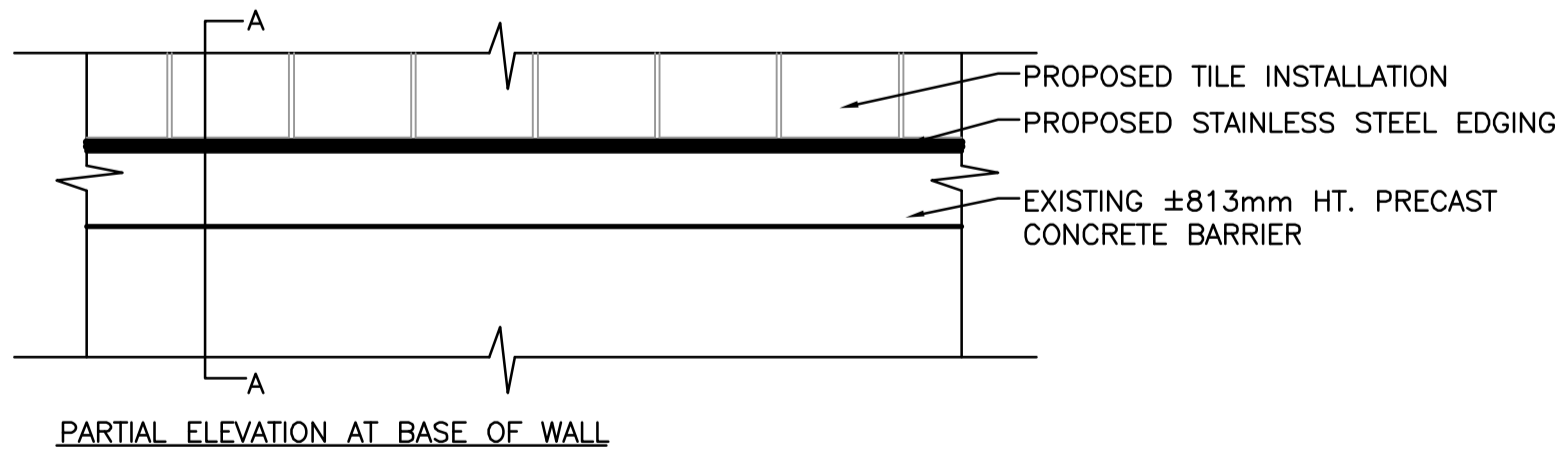
4  
59/61  
HORIZONTAL EXPANSION JOINTS (TYP)



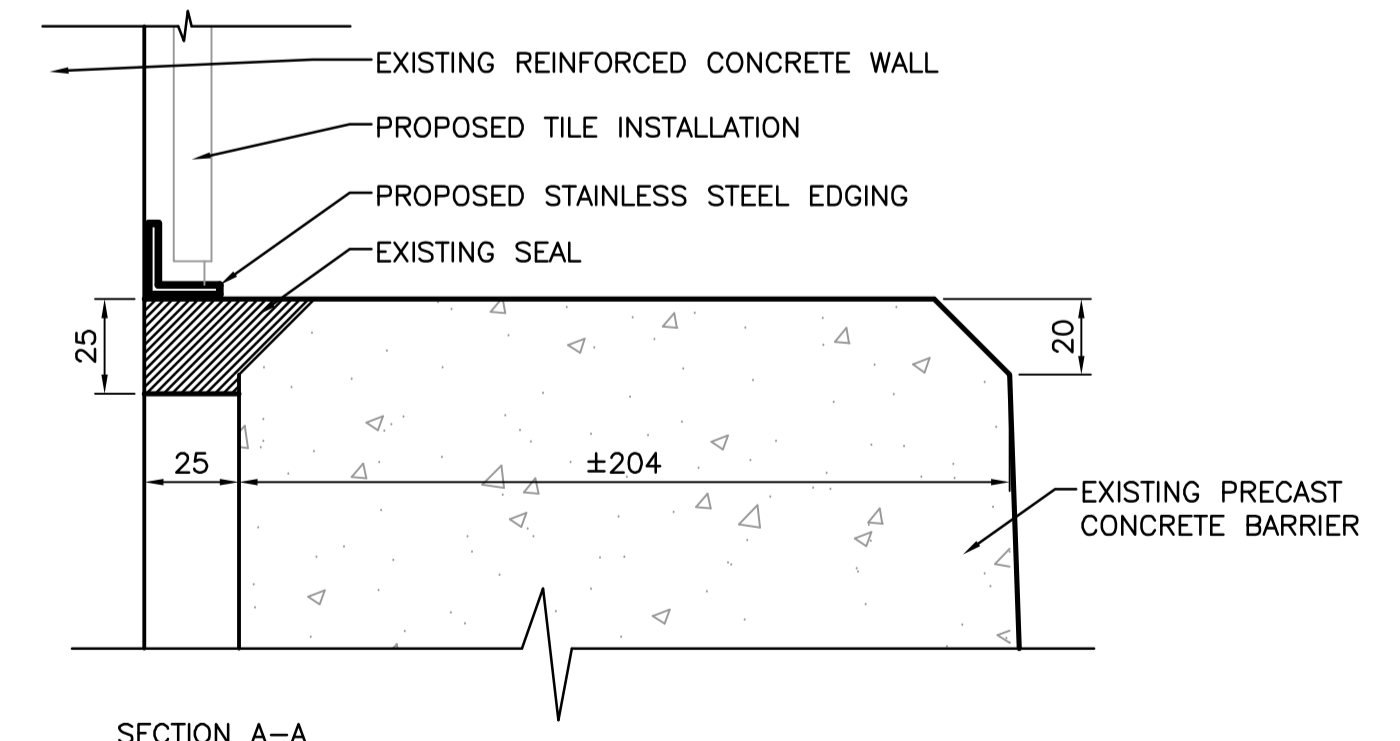
5  
59/61  
TILE ON RETAINING WALL AT REVEAL



6  
61  
DETAILED TILE LAYOUT AT LIGHTS



7  
61  
BASE OF WALL EDGER



FOR REFERENCE ONLY

X:\08-028\_Southwestern\_BRT\_Corridor\dwg\C4 - Tunnel\Tunnel\Construction set\2012\C4 - WALL TILE DETAILS (1).dwg

LOCATION UNDERGROUND APPROVED STRUCTURES DERRICK SAEDAL NOV. 4, 2009 SUPV. U/G STRUCTURES COMMITTEE DATE	B.M. ELEV. BM ELEV. 1 REVISED TILE LAYOUT 05/09/12 JW 0 ISSUED FOR CONSTRUCTION 30/11/09 JW NO. REVISIONS DATE BY	DESIGNED BY SR/JW DRAWN BY JW CHECKED BY SR APPROVED BY BM HOR. SCALE AS NOTED VERTICAL DATE 2009/10/05	  RELEASED FOR CONSTRUCTION DATE	 <b>THE CITY OF WINNIPEG</b> <b>TRANSIT DEPARTMENT</b> SOUTHWEST RAPID TRANSIT CORRIDOR - STAGE 1 TRANSITWAY TUNNEL AT CN RIVERS SUBDIVISION MILEAGE 1.38 & ASSOCIATED WORKS ORIGINALLY STAMPED BY JACKIE WILKIE 30/11/09 CONSULTANT PROJECT NO. 08-028C	CITY DRAWING NUMBER U237-09-61 SHEET 61 OF 73 CONSULTANT DRAWING NUMBER C4-S1303-C-R1
---	--	---	---	---	---