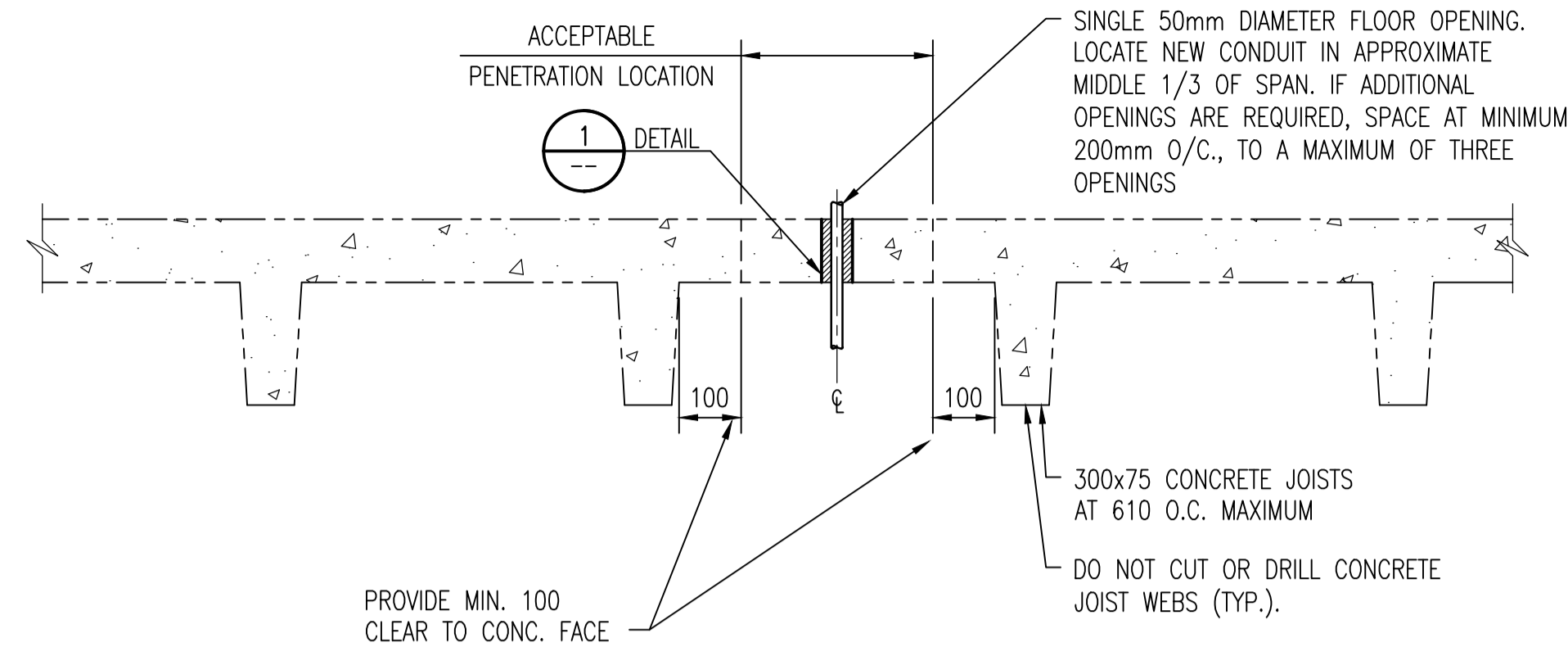
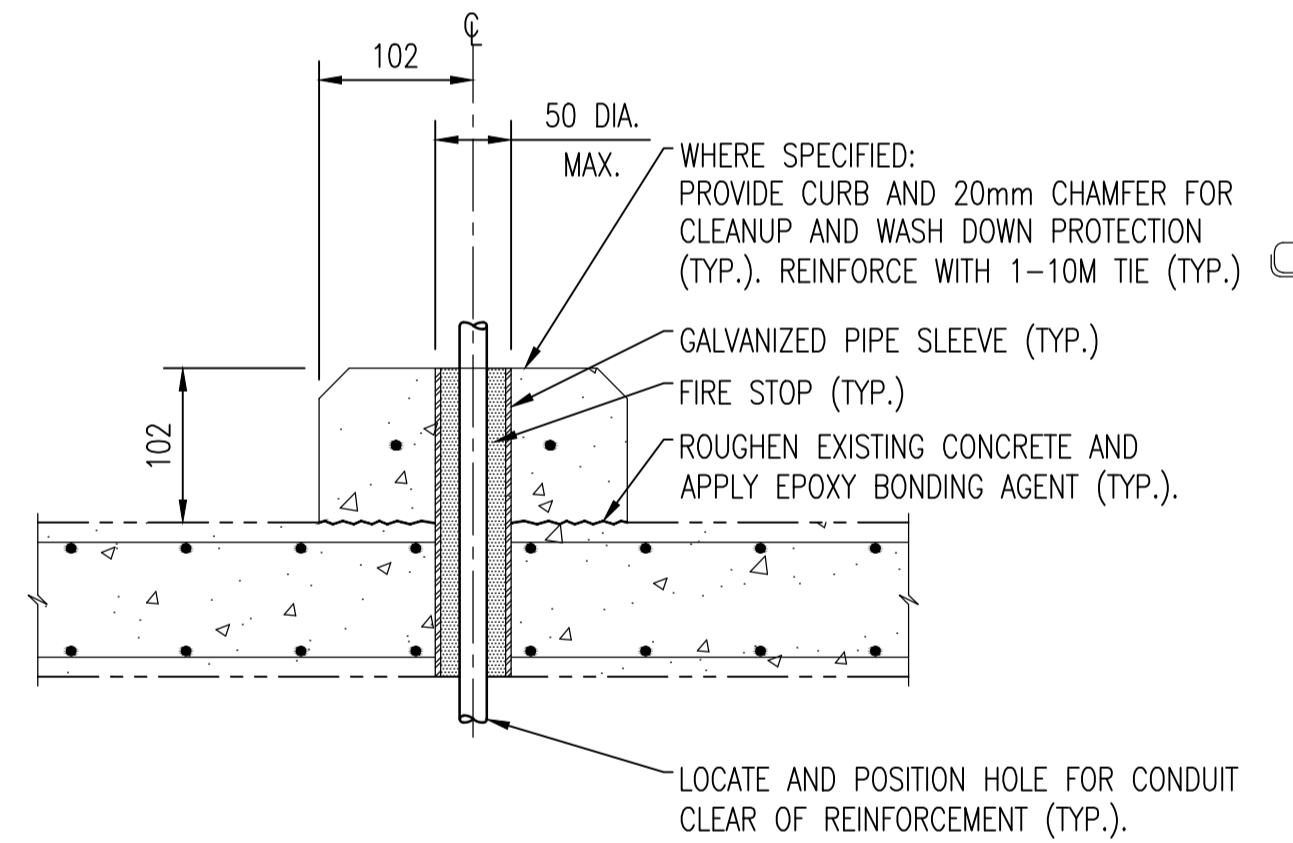


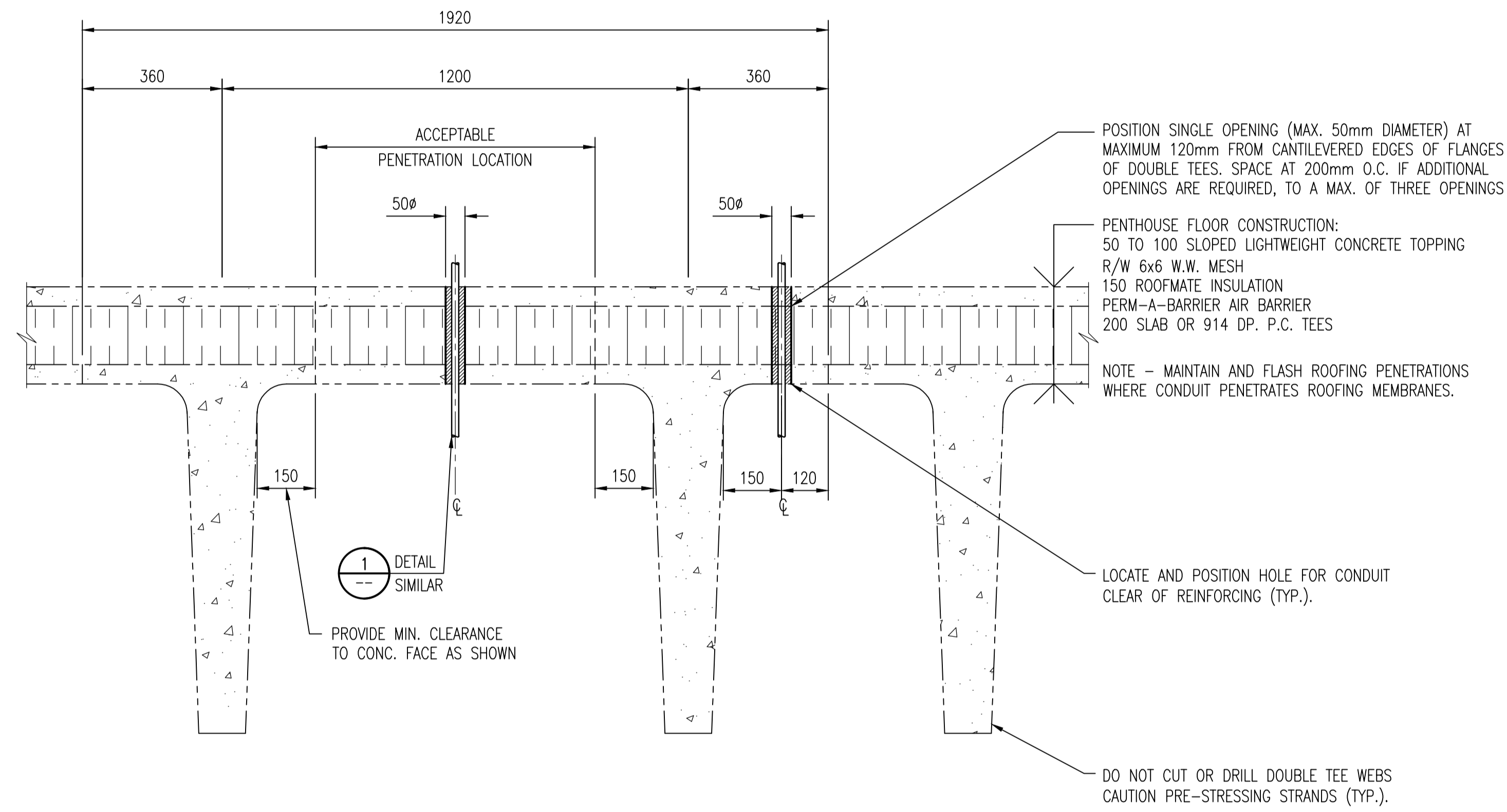
1 DETAIL-REINFORCED CONCRETE FLOOR-WITHOUT CURB
SCALE: 1:5



2 DETAIL - CONCRETE JOIST FLOORS
SCALE: 1:10



3 DETAIL-REINFORCED CONCRETE FLOOR-WITH CURB
SCALE: 1:5



4 DETAIL - PRECAST DOUBLE TEE CONCRETE FLOOR
SCALE: 1:10

NOTES:

1. LOCATE REINFORCING IN THE EXISTING FLOOR AND ROOF SLABS WITH A CONCRETE REINFORCING BAR LOCATOR PRIOR TO DRILLING.
2. MARK OUT LOCATIONS INTENDED FOR OPENINGS AND CONFIRM ACCEPTABILITY WITH CONTRACT ADMINISTRATOR PRIOR TO DRILLING.
2. DRILL A PILOT HOLE INTO THE EXISTING CONCRETE ADVANCING THE DRILL BIT TO FULL DEPTH OF THE REQUIRED OPENING. IF REINFORCING IS ENCOUNTERED, TERMINATE DRILLING OF THE PILOT HOLE AND RELOCATE THE OPENING CLEAR OF THE REINFORCING. USE A STANDARD HARDENED CARBIDE TIPPED CONCRETE BIT, DO NOT USE A CORE DRILL THAT CAN INTERCEPT AND CUT THE REINFORCING WHILE INSTALLING THE PILOT HOLE. PILOT HOLES FOR OPENINGS SHOULD BE POSSIBLE UP TO 38mm IN DIAMETER. LARGER HOLES UP TO 50mm IN DIAMETER MAY BE CORED FOLLOWING COMPLETION OF A SMALLER PILOT HOLE.
3. ADVISE THE CONTRACT ADMINISTRATOR IMMEDIATELY IF THE REQUIRED OPENINGS CANNOT BE FIELD ADJUSTED TO CLEAR THE EXISTING REINFORCEMENT AND AWAIT FURTHER INSTRUCTIONS. THE CONTRACT ADMINISTRATOR WILL REVIEW THE SITUATION AND MAKE A DETERMINATION REGARDING PLACEMENT OF THE OPENINGS.

FOR REFERENCE



| NO. | REVISIONS | DATE | DESIGN | CHECK |
|-----|--------------------------------------|------------|--------|-------|
| 00 | ISSUED FOR TENDER, BID OPP. 209-2011 | 2011/04/01 | NK | RB |

| | |
|--|--|
| <p>SNC-LAVALIN INC. 148 Nature Park Way Winnipeg, MB, Canada R3P 0X7 204-786-8080</p> | |
| DESIGNED BY: N. KEHLER | CHECKED BY: R. BEAN |
| DRAWN BY: S. FUNK | APPROVED BY: C. REIMER |
| SCALE: AS SHOWN | RELEASED FOR CONSTRUCTION BY: N. HARRINGTON |
| DATE: 2011/02/22 | DATE: 2011/04/01 |
| CONSULTANT NO.: 112577-0106-47DD-0108 | |

ENGINEER'S SEAL
ORIGINAL DRAWING
SEALED BY:
R. C. BEAN
SNC-LAVALIN
2011/03/23
REV. 00

| | | | |
|--|-------|------|------|
| <p>THE CITY OF WINNIPEG WATER AND WASTE DEPARTMENT</p> | | | |
| SOUTH END WATER POLLUTION CONTROL CENTRE ESSENTIAL SYSTEM UPGRADES INSTALLATION DETAIL TYPICAL FLOOR PENETRATION REQUIREMENTS | | | |
| CITY DRAWING NUMBER | SHEET | REV. | SIZE |
| 1-0102A-E0008 | 001 | 00 | A1 |