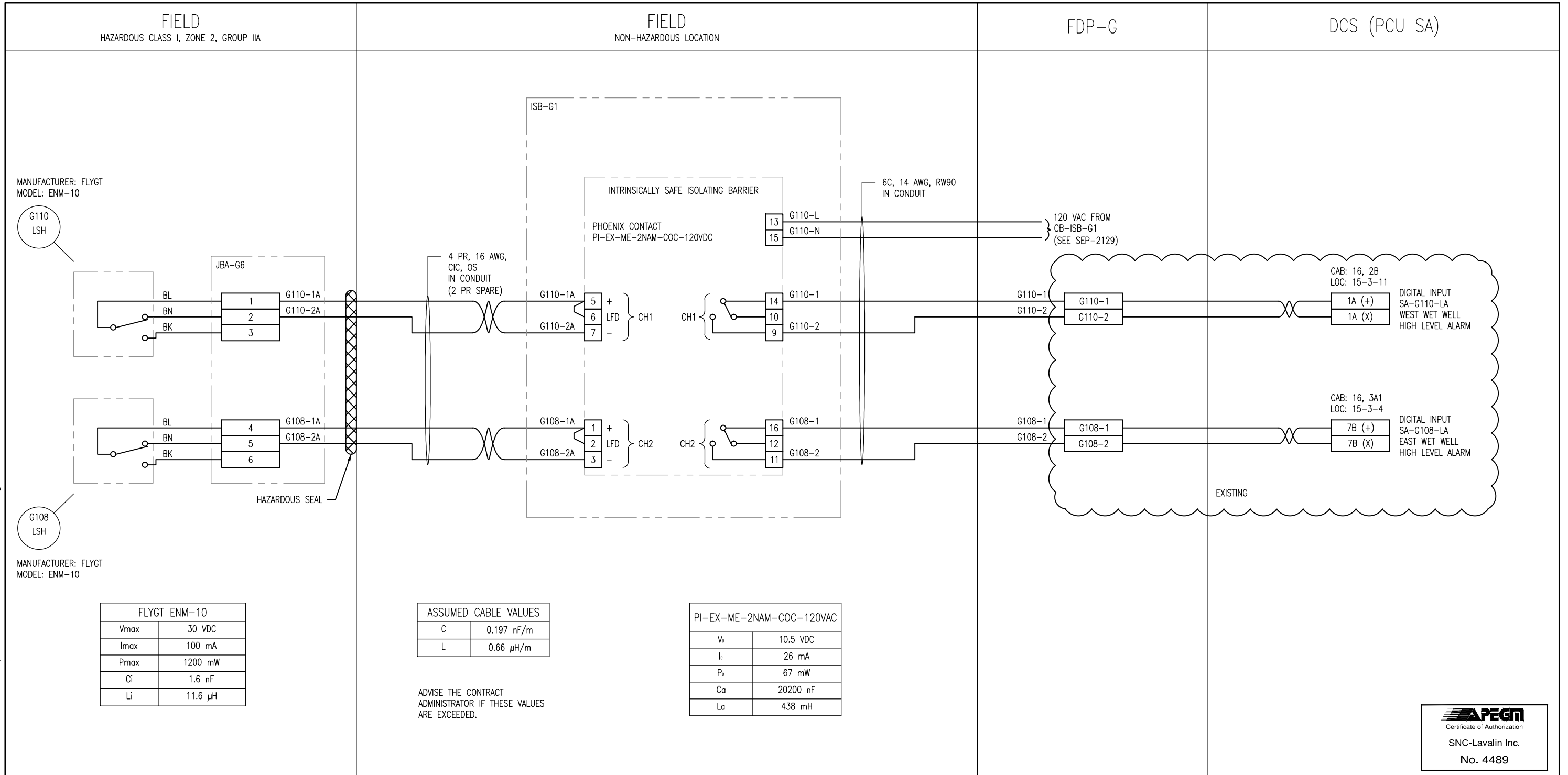


B SIZE - 279mm x 432mm

LAST SAVE: 2012/02/17 - 11:10am
 PATH: M:\112577\0113\4ENG\4TELE\DD - General DWG\1-0102G-A0042-001-00.dwg



- NOTES**
- THIS DRAWING SUPERSEDES SEP-2027.
 - THE MAXIMUM CABLE VALUES BETWEEN THE LEVEL SWITCH AND BARRIER ARE:
 C: 20,198 nF
 L: 438 mH
 - AC CURRENT CONSUMPTION: <50 mA.
 - PROVIDE LABELING TO IDENTIFY INTRINSICALLY SAFE WIRING.
 - THE INSTALLATION IS TO BE IN ACCORDANCE WITH CSA 22.1-2009 SECTION 18 AND ISA RP12.06.01-2003.
 - SWITCH AND ISOLATING BARRIER SHOWN IN UNPOWERED, NON-ALARM STATE.
 - THE ENM-10 ENTITY PARAMETERS ARE ASSUMED TO INCLUDE AN INTEGRAL CABLE ASSEMBLY UP TO 6m LONG.

NO.	REVISIONS	DATE	DESIGN	CHECK
00	ISSUED FOR TENDER, BID OPP. 7-2012	2012/02/08	TMC	CJR

SNC-LAVALIN INC.
 148 Nature Park Way
 Winnipeg, MB, Canada R3P 0X7
 204-786-8080

DESIGNED BY: T. CHURCH
 CHECKED BY: C. REIMER

DRAWN BY: S. FUNK
 APPROVED BY: C. REIMER

SCALE: NTS
 DATE: 2011/07/27

RELEASED FOR CONSTRUCTION
 BY: N. HARRINGTON
 DATE: 2012/02/15

CONSULTANT NO.: 112577-0113-47DD-2203

ENGINEER'S SEAL

ORIGINAL DRAWING SEALED BY:
 T. M. CHURCH
 SNC-LAVALIN
 MEMBER #32682
 2012/02/15
 REV. 00

THE CITY OF WINNIPEG
 WATER AND WASTE DEPARTMENT

SOUTH END WATER POLLUTION CONTROL CENTRE
 ELECTRICAL CLASSIFICATION UPGRADES
 INSTRUMENT LOOP DIAGRAM
 G108-LSH AND G110-LSH

CITY DRAWING NUMBER	SHEET	REV.	SIZE
1-0102G-A0042	001	00	B