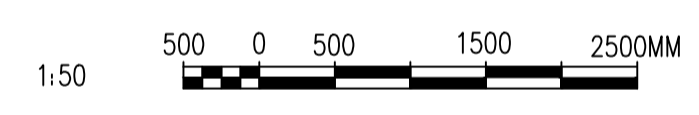


PLAN OF PUMP & SCREEN BUILDING SCREEN ROOM G127 - EL. 238.3



11 DETAIL
SCALE NTS

11 REPLACE EXISTING LUMINAIRE WITH TYPE AS INDICATED. TYPICAL FOR 21 EXISTING LUMINAIRES. SEE INSTALLATION DETAIL ON 1-0102A-E0011.



21 DETAIL
SCALE NTS

21 REPLACE EXISTING CIRCUIT BREAKER AND ENCLOSURE FOR OVERHEAD CRANE WITH COMBINATION CONTACTOR. REFER TO DRAWING 1-0102G-E0032.

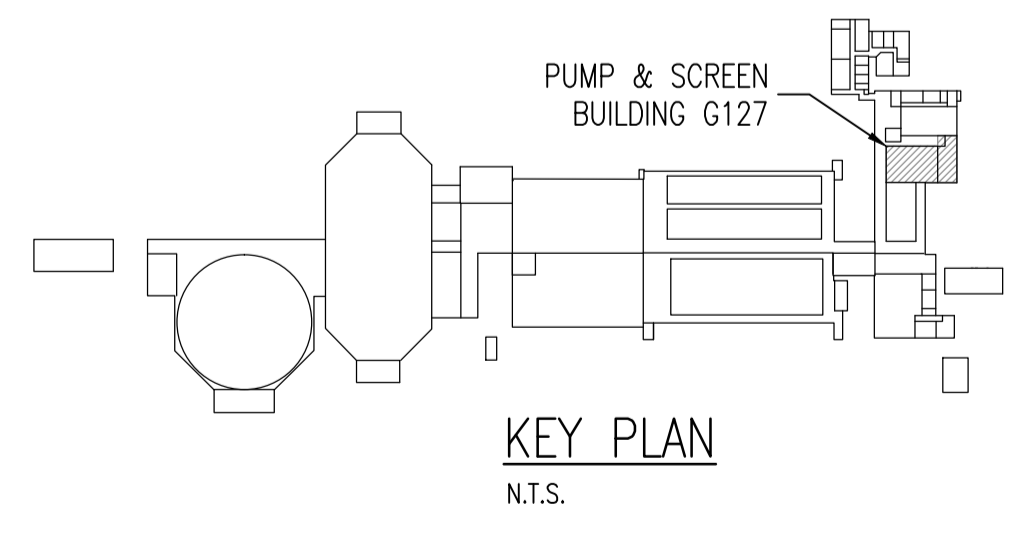
SPECIFIC NOTES	
1	INSTALL DUCT SEAL IN EXISTING CONDUIT AT THE FIRST CONDUIT BODY OR JUNCTION BOX WITHIN THE HAZARDOUS AREA (ESTIMATED NUMBER OF LOCATIONS: 4).
2	REWIRE FIXTURE TO BE POWERED FROM ESSENTIAL CIRCUIT.

GENERAL NOTES:

- DRAWING AND PHOTOGRAPHS SHOW EXISTING MECHANICAL AND ELECTRICAL EQUIPMENT AND DEVICES. LOCATIONS INDICATED ARE APPROXIMATE.
- REUSE OF EXISTING CONDUIT AND WIRING FOR NEW DEVICES IS ACCEPTABLE UNLESS OTHERWISE NOTED.
- PLAN AND SCHEDULE WORK TO MINIMIZE OUTAGES. SCHEDULE ALL SHUTDOWNS WITH PLANT OPERATIONS. REFER TO SPECIFICATIONS FOR DETAILS.

CANADIAN ELECTRICAL CODE NOTES:

- AREA CLASSIFIED AS HAZARDOUS CLASS I, ZONE 2, GROUP IIA. REFER TO DRAWING 1-0102G-E0014.
- SUPPLY AND INSTALL NEW DEVICES AND CONDUIT TO MEET REQUIREMENTS FOR THE AREA CLASSIFICATION.
- INSTALLATION TO BE COMPLIANT WITH CEC REQUIREMENTS FOR THE AREA CLASSIFICATION, EXCEPT:
(a) CONDUIT SEALS ARE NOT REQUIRED ON EXISTING CONDUITS PASSING FROM CLASS I ZONE 2 AREAS TO UNCLASSIFIED AREAS, REF CEC 18-158(a).
- DO NOT INSTALL ANY NEW WIRING IN EXISTING CONDUITS. ALL NEW WIRING TO BE INSTALLED IN NEW CONDUITS TO MEET CEC REQUIREMENTS, INCLUDING SEALS WHEN PASSING FROM CLASSIFIED AREAS.



NOTES:

- THIS DRAWING SUPERCEDES PART OF SEP-826 AND SEP-837.

1-0102A-E0010	TYPICAL INSTALLATION DETAILS
1-0102A-E0009	DEVICE AND LUMINAIRE SCHEDULE
1-0102G-E0014	ELECTRICAL CLASSIFICATION PLAN
DRAWING NUMBER	REFERENCE DRAWINGS

APECM
Certificate of Authorization
SNC-Lavalin Inc.
No. 4489

NO.	REVISIONS	DATE	DESIGN	CHECK
00	ISSUED FOR TENDER, BID OPP. 7-2012	2012/02/08	TMC	CJR

SNC-LAVALIN INC.
148 Nature Park Way
Winnipeg, MB, Canada R3P 0X7
204-786-8080

DESIGNED BY: T. CHURCH
CHECKED BY: C. REIMER
DRAWN BY: S. FUNK
APPROVED BY: C. REIMER
SCALE: 1:50
RELEASED FOR CONSTRUCTION BY: N. HARRINGTON
DATE: 2011/07/06
DATE: 2012/02/15
CONSULTANT NO.: 112577-0113-47DD-0206

ENGINEER'S SEAL

ORIGINAL DRAWING SEALED BY:
T. M. CHURCH
SNC-LAVALIN
MEMBER #32682
2012/02/15
REV. 00

THE CITY OF WINNIPEG
WATER AND WASTE DEPARTMENT

SOUTH END WATER POLLUTION CONTROL CENTRE
ELECTRICAL CLASSIFICATION UPGRADE
PLAN LAYOUT
PUMP & SCREEN BUILDING - SCREEN ROOM G127
UPPER AREA

CITY DRAWING NUMBER	SHEET	REV.	SIZE
1-0102G-E0023	001	00	A1