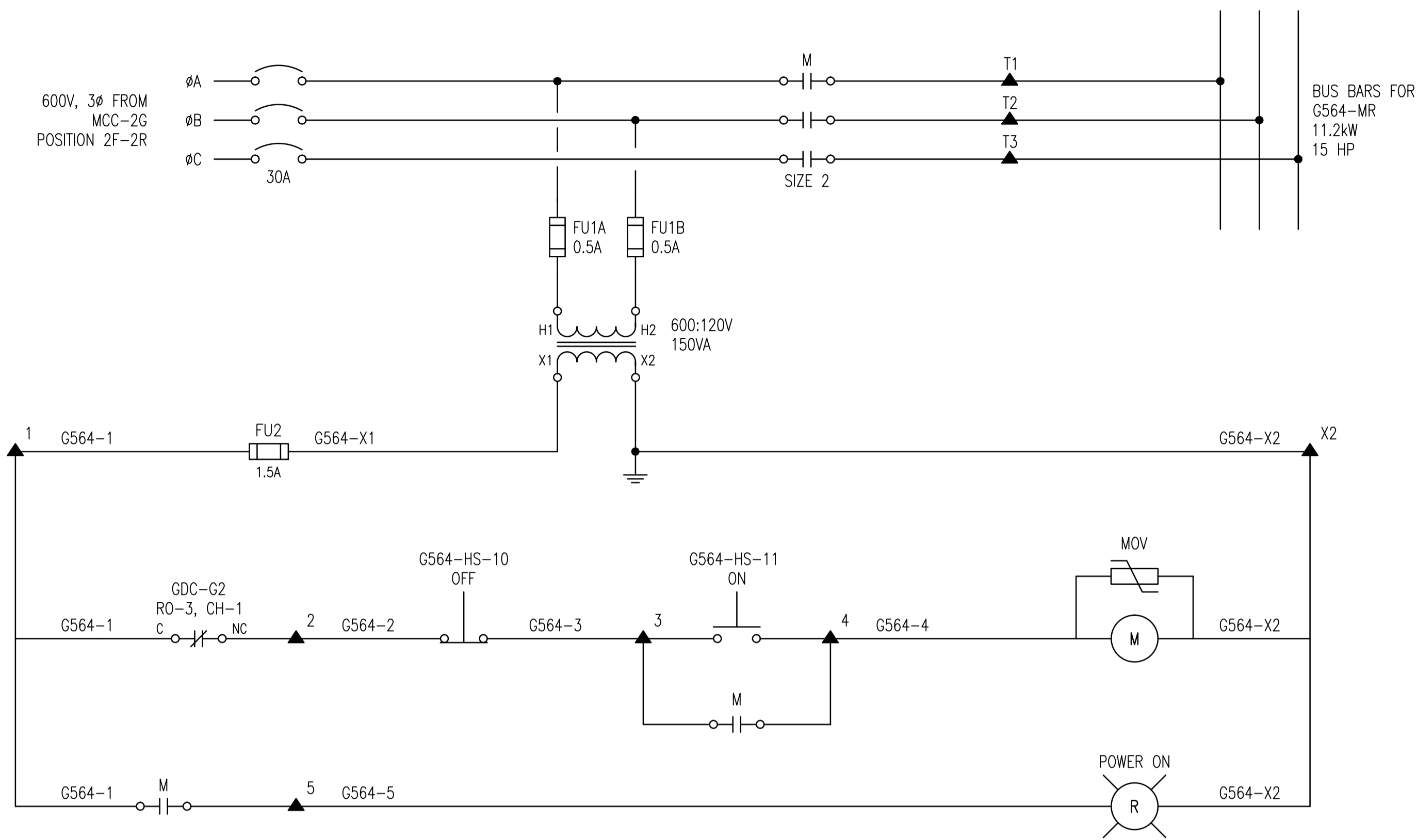
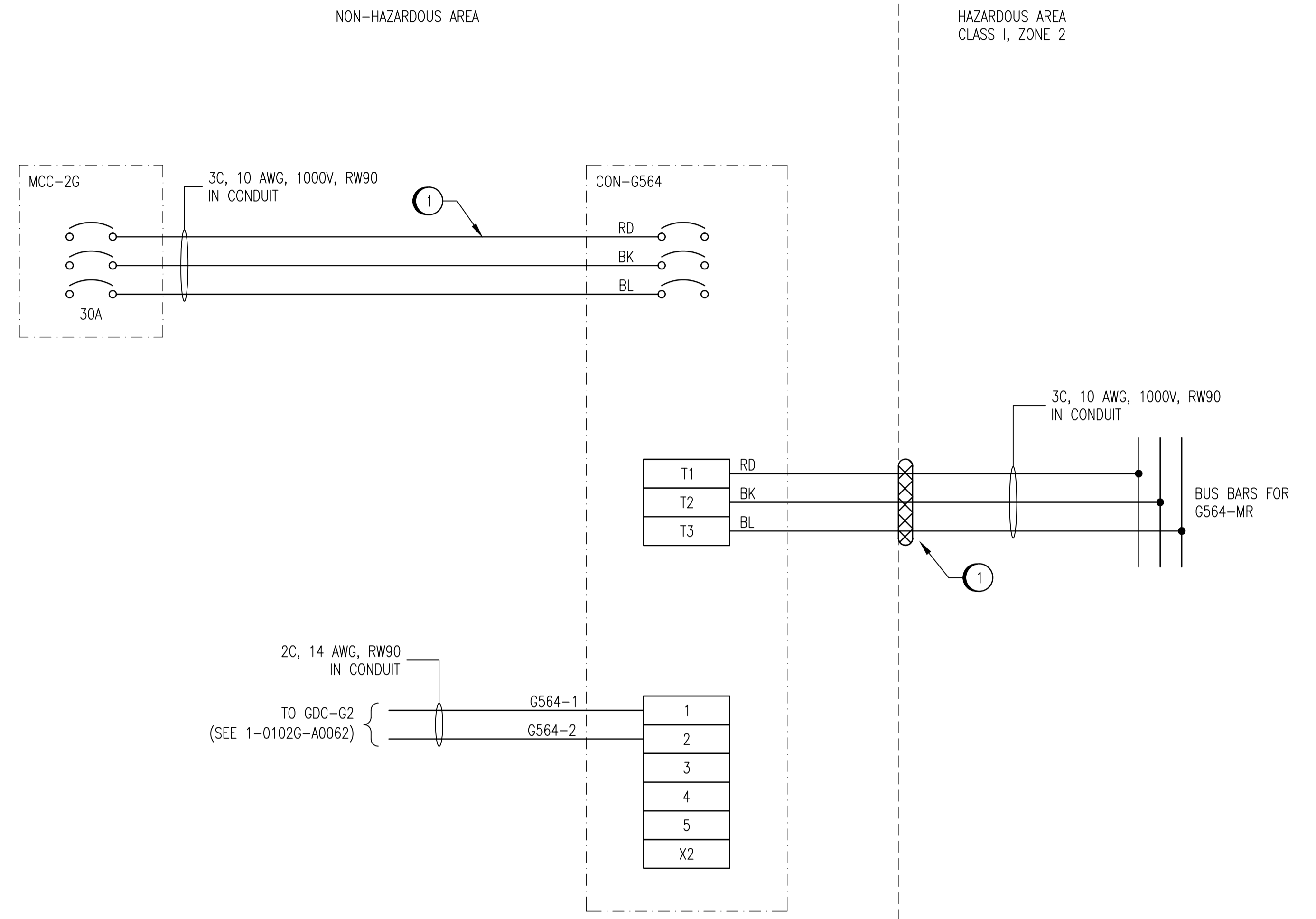


ELEMENTARY DIAGRAM:



FIELD CONNECTION DIAGRAM:



CONSTRUCTION NOTES

- 1. REPLACE EXISTING CONDUIT AND WIRE. REMOVE ALL UNUSED CONDUIT.

LEGEND:
▲ STARTER TERMINAL

NOTES:

- 1. CONTACTOR ASSEMBLY REQUIREMENTS:
1. SCCR: 25KA



NO.	REVISIONS	DATE	DESIGN	CHECK
00	ISSUED FOR TENDER, BID OPP. 7-2012	2012/02/08	TMC	CJR

 SNC-LAVALIN INC. 148 Nature Park Way Winnipeg, MB, Canada R3P 0X7 204-786-8080	
DESIGNED BY: T. CHURCH	CHECKED BY: C. REIMER
DRAWN BY: S. FUNK	APPROVED BY: C. REIMER
SCALE: NTS	RELEASED FOR CONSTRUCTION BY: N. HARRINGTON
DATE: 2011/07/26	DATE: 2012/02/15
CONSULTANT NO.: 112577-0113-47DD-2200	

ENGINEER'S SEAL
ORIGINAL DRAWING
SEALED BY:
T. M. CHURCH
SNC-LAVALIN
MEMBER #32682
2012/02/15
REV. 00

THE CITY OF WINNIPEG
WATER AND WASTE DEPARTMENT

SOUTH END WATER POLLUTION CONTROL CENTER
ELECTRICAL CLASSIFICATION UPGRADES
CONTACTOR SCHEMATIC
MONORAIL G564-MR
CDN-G564

CITY DRAWING NUMBER	SHEET	REV.	SIZE
1-0102G-E0031	001	00	A1