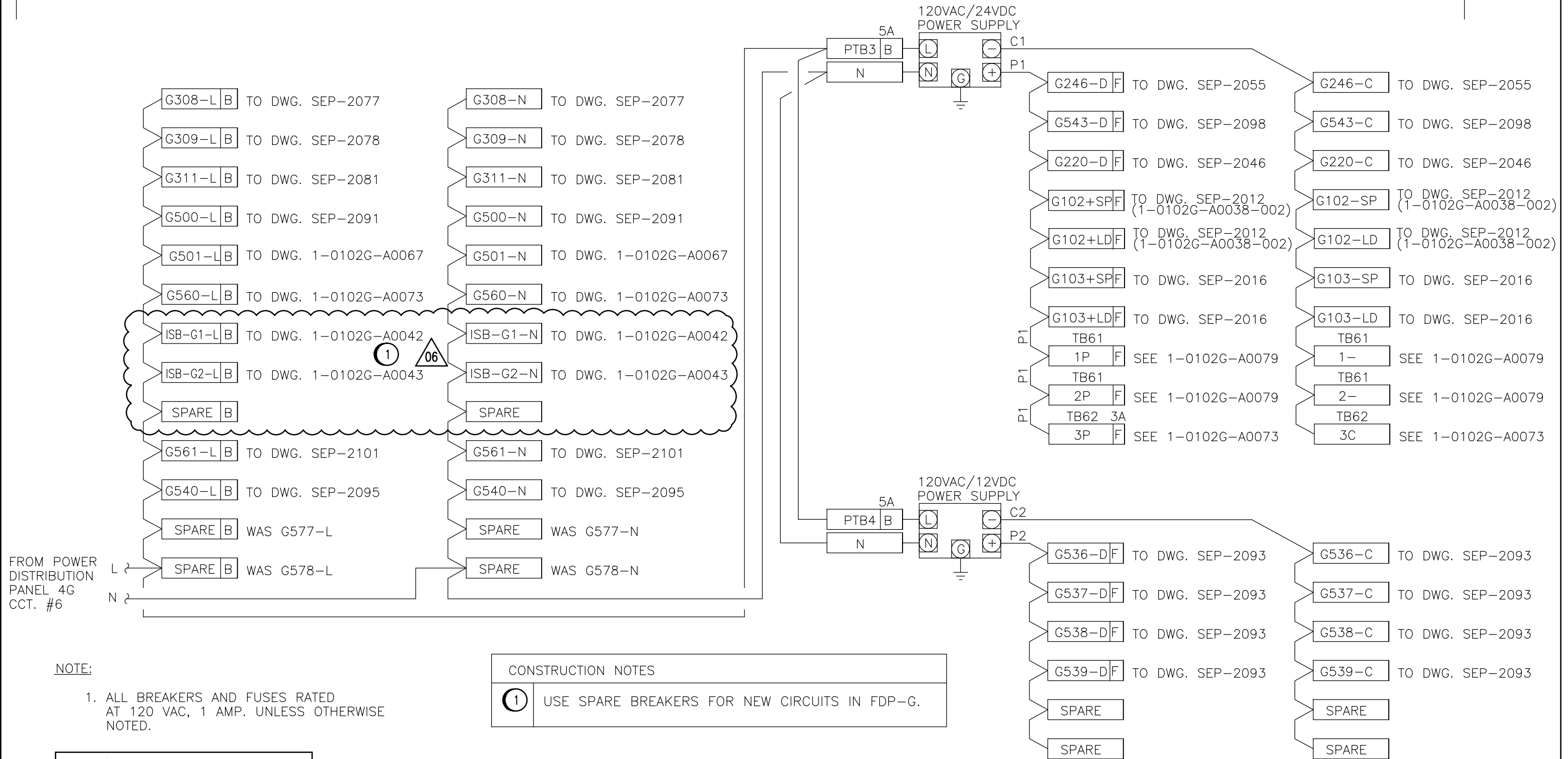


FDP-G (FIELD DEVICE PANEL -G) (120VAC,24VDC AND 12VDC DISTRIBUTION)



SNC-LAVALIN INC. 148 Nature Park Way Winnipeg, Manitoba Canada R3P 0X7				
DESIGNED:		APPROVED:		
T. CHURCH		C. REIMER		
CHECKED:		DATE:		
C. REIMER		2012/02/16		
PROJECT No.	SUBDIV.	SUBJECT	SERIAL	REV.
112577	0112	48 DD	0151	6



MacLAREN ENGINEERS INC. WARDROP ENGINEERING INC. ENGINEERING CONSULTANTS				
6	USED SPARE BREAKERS	2012/02/09	TMC	DESIGNED BY: RH DRAWN BY: RH SCALE: N.T.S. DATE: 08/92
5	ADDED DISCRETE OUTPUT CCT	2011/09/19	TMC	
4	UPS AND GAS DETECTION MODIFICATIONS	2011/03/11	TMC	
3	HEADWORKS UPGRADES MODIFICATIONS	2010/10/01	TMC	
NO.	REVISIONS	DATE	BY	

ORIGINAL DRAWING SEALED BY:
 T. M. CHURCH
 SNC-LAVALIN
 MEMBER # 32682
 2012/02/15
 REV. 06
 CHANGES ONLY

CONSULTANT DWG. NO.
 870012-01-20

THE CITY OF WINNIPEG WORKS AND OPERATIONS DIVISION WATERWORKS, WASTE & DISPOSAL DEPARTMENT	
SOUTH END WATER POLLUTION CONTROL CENTER PUMP & SCREEN BUILDING - I & C FIELD DEVICE PANEL FDP-G 120 VAC, 24VDC & 12 VDC POWER DISTRIBUTION WIRING DIAGRAM	
CITY DWG. NO.	
SHEET 1 OF 1	
SEP-2129	