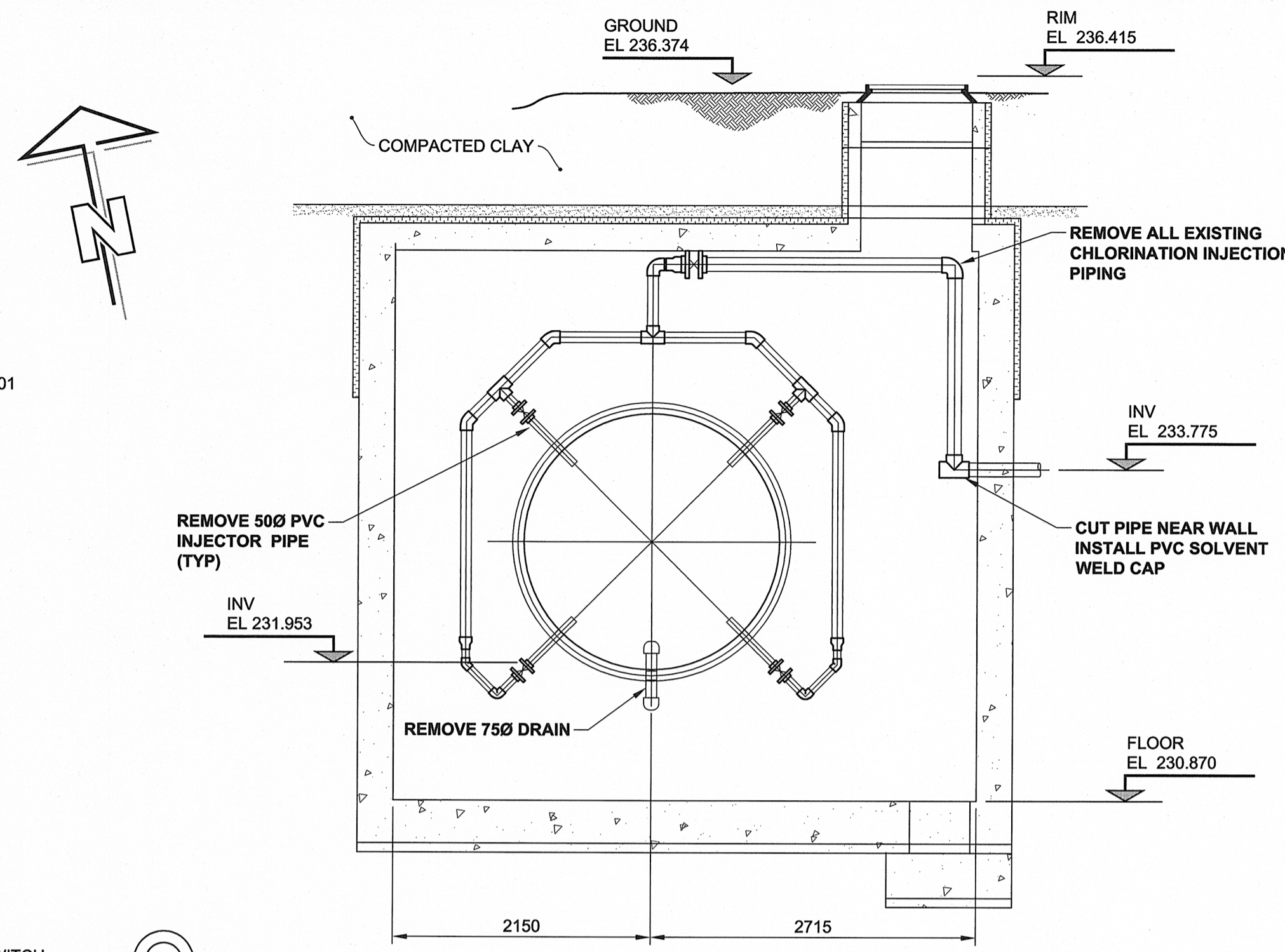


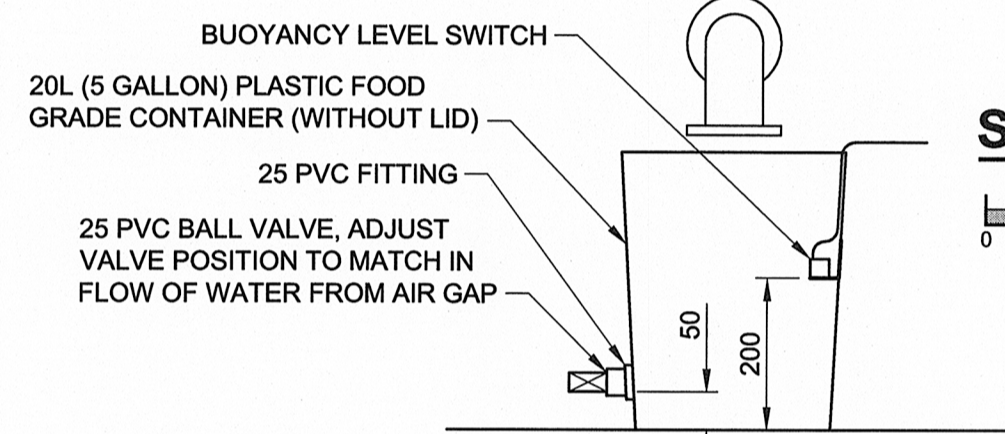
PLAN - EXISTING

SCALE 1:40
CHLORINE CONTACT CHAMBER



SECTION - EXISTING

SCALE 1:40

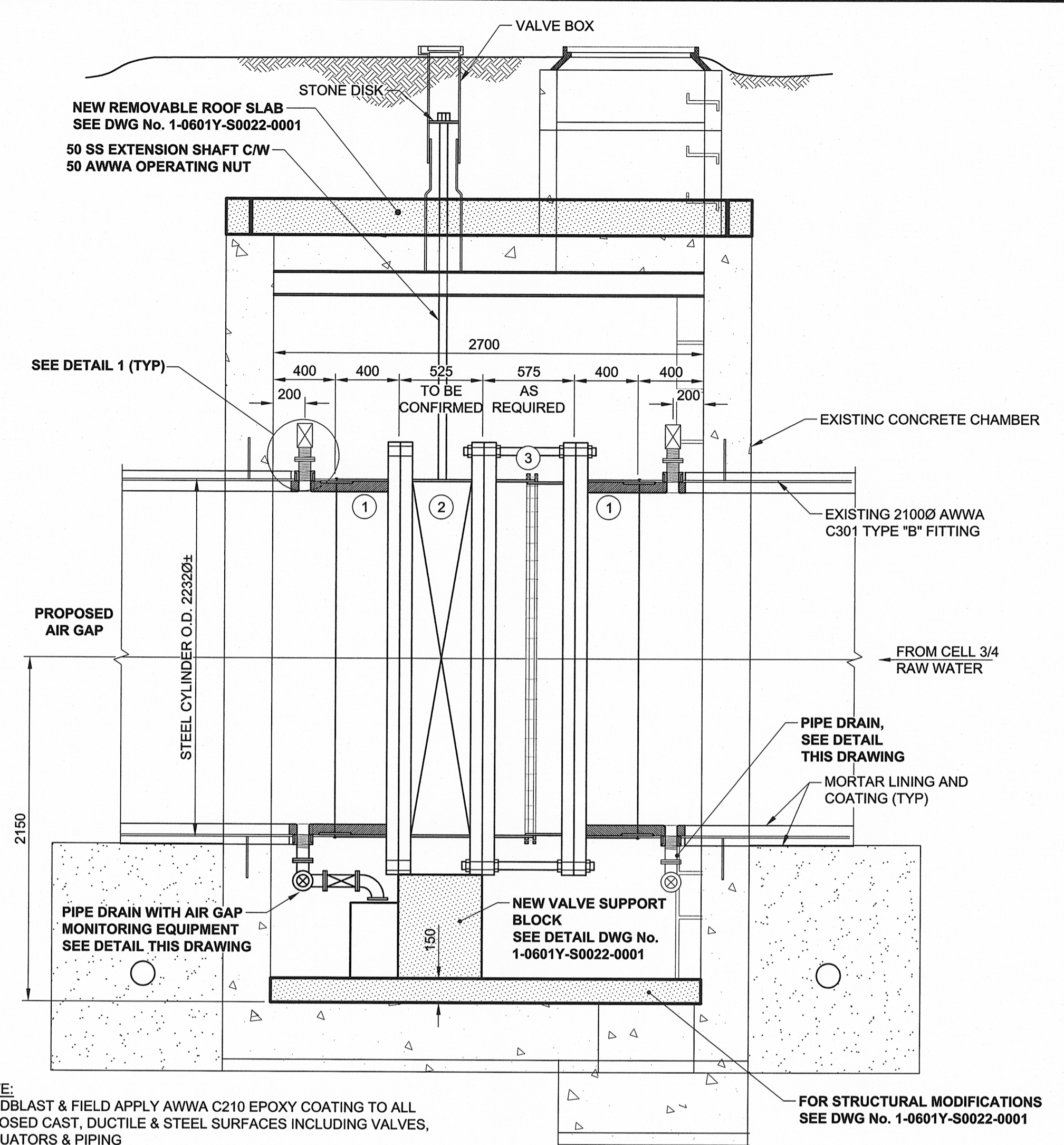


AIR GAP MONITORING EQUIPMENT

SCALE 1:10

- NOTE:**
1. CONTAINER TO SIT ON FLOOR OF CHAMBER
 2. FACE CONTAINER DRAIN TOWARDS CHAMBER FLOOR DRAIN

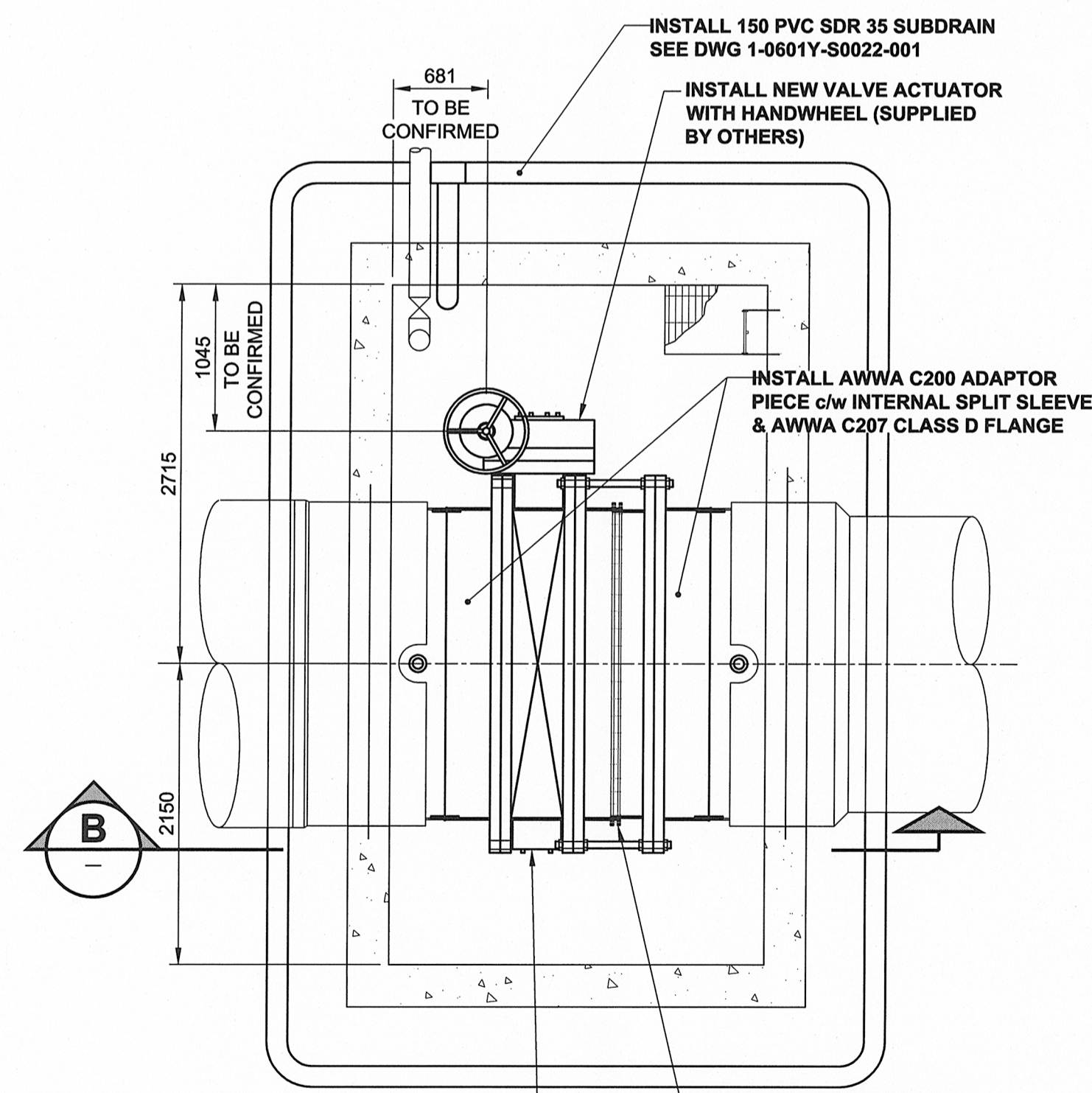
- MATERIAL LIST:**
- 1 2100 AWWA C200 FxPE ADAPTOR PIECE C/W INTERNAL SPLIT SLEEVE, AWWA C207 CLASS D FLANGE
 - 2 2100 Fx F AWWA C504 BUTTERFLY VALVE HV-Y307A (SUPPLIED BY OTHERS)
 - 3 2100 Fx F RESTRAINED DISMANTLING JOINT
 - 4 75 HALF NIPPLE (THREADED)
 - 5 75x125 SCHEDULE 80 STEEL NIPPLE (THREADED)
 - 6 75 BRONZE BALL VALVE (THREADED)
 - 7 75 STEEL FLANGE CL 125 C/W ISOLATION KIT (THREADED)
 - 8 75 CAST BRONZE OR BRASS FLANGE (THREADED)
 - 9 75 CAST BRONZE OR BRASS NIPPLE (THREADED)
 - 10 75 AWWA C110 DUCTILE IRON 90° BEND
 - 11 75x75x75 AWWA C110 DUCTILE IRON TEE
 - 12 75 AWWA C115 DUCTILE IRON THREADED FLANGE
 - 13 75 AWWA C115 DUCTILE IRON PIPING
 - 14 75 DUCTILE IRON BALL VALVE
 - 15 75 AWWA C508 DUCTILE IRON CHECK VALVE



SECTION - PROPOSED

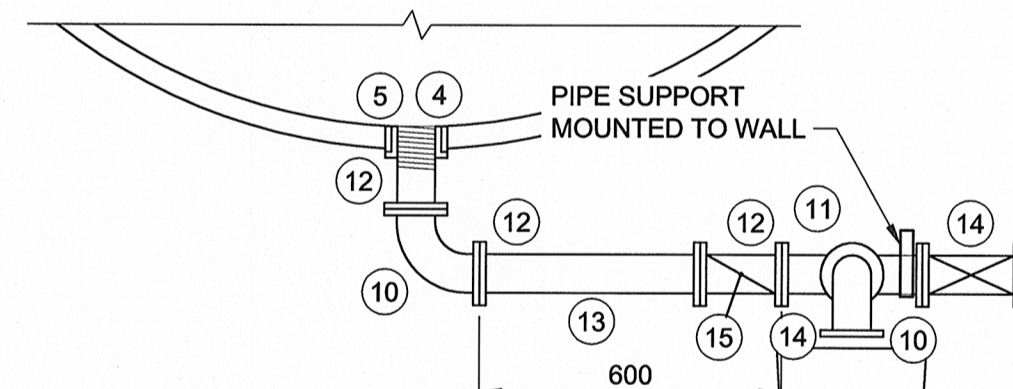
SCALE 1:25

NOTE: SANDBLAST & FIELD APPLY AWWA C210 EPOXY COATING TO ALL EXPOSED CAST, DUCTILE & STEEL SURFACES INCLUDING VALVES, ACTUATORS & PIPING



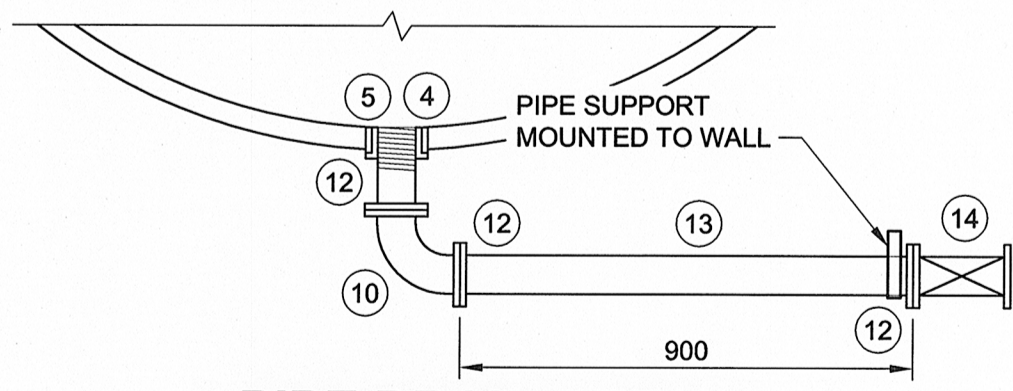
PLAN - PROPOSED

SCALE 1:40
CHLORINE CONTACT CHAMBER



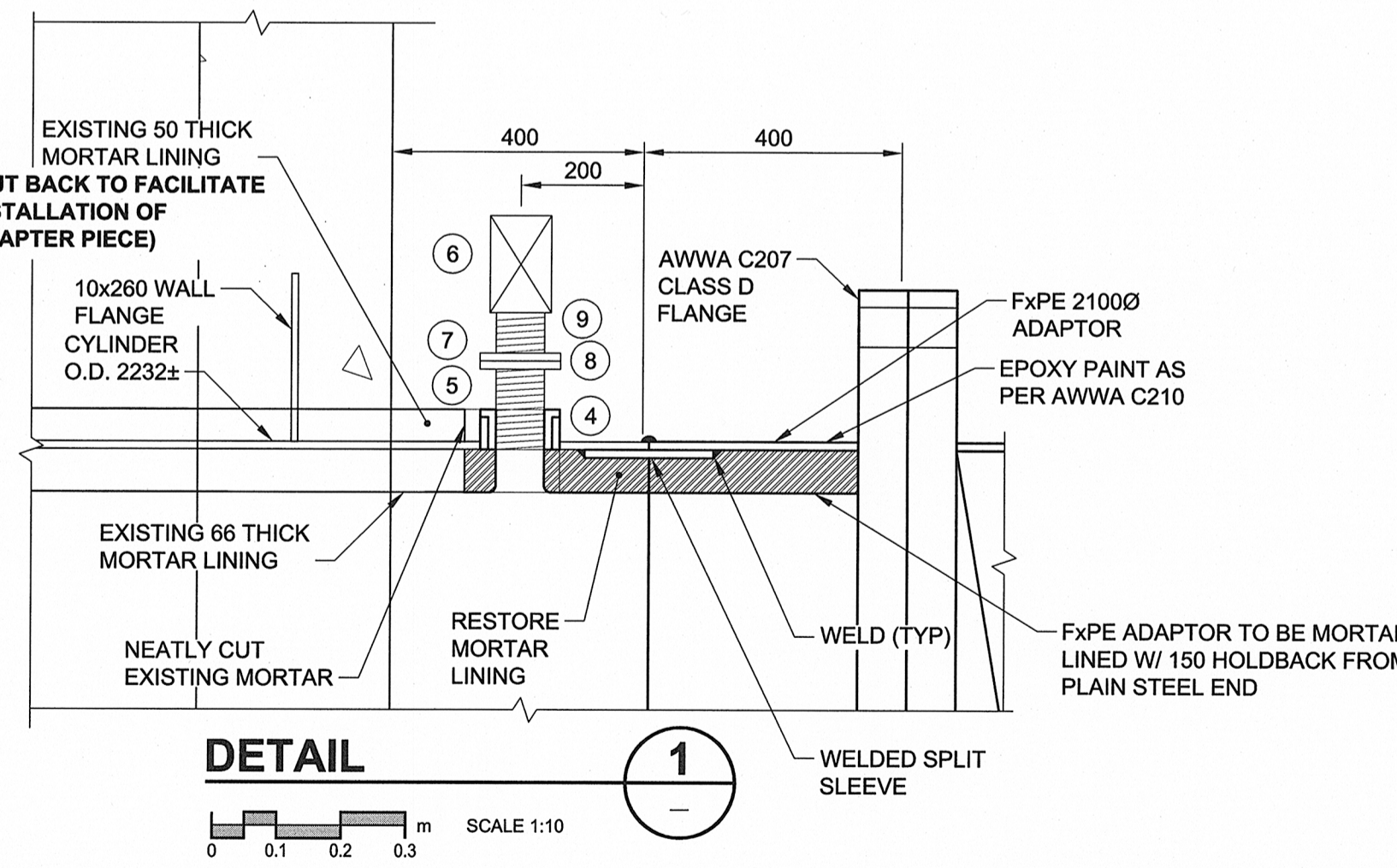
PIPE DRAIN DETAIL

SCALE 1:15
WITH AIR GAP MONITORING EQUIPMENT



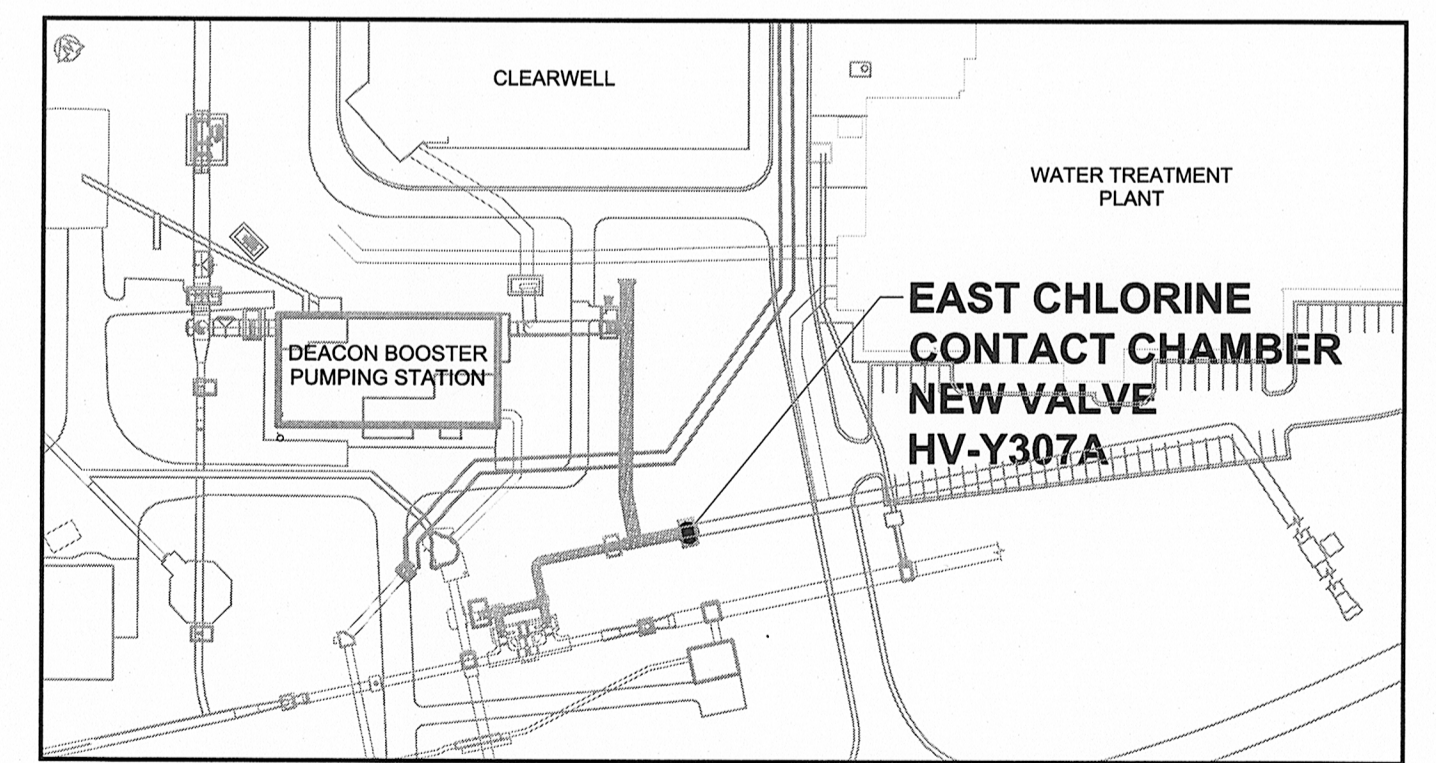
PIPE DRAIN DETAIL

SCALE 1:15



DETAIL

SCALE 1:10



METRIC
WHOLE NUMBERS INDICATE MILLIMETRES
DECIMALIZED NUMBERS INDICATE METRES

KEY PLAN

SCALE: NTS

BID OPPORTUNITY NO. 708-2012

LOCATION APPROVED
UNDERGROUND STRUCTURES

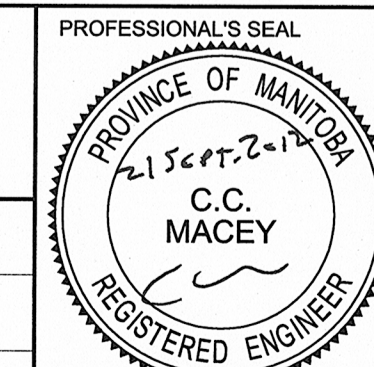
SUPR. U/G STRUCTURES COMMITTEE DATE

NOTE: LOCATION OF UNDERGROUND STRUCTURES AS SHOWN ARE BASED ON THE BEST INFORMATION AVAILABLE. BUT NO GUARANTEE IS GIVEN THAT ALL EXISTING UTILITIES ARE SHOWN OR THAT THE GIVEN LOCATIONS ARE EXACT. CONFIRMATION OF EXISTENCE AND EXACT LOCATION OF ALL SERVICES MUST BE OBTAINED FROM THE INDIVIDUAL UTILITIES BEFORE PROCEEDING WITH CONSTRUCTION.

AECOM
Certificate of Authorization
AECOM Canada Ltd.
No. 4671 Date: 21 Sept. 2012

AECOM

DESIGNED BY	ADB	CHECKED BY	[Signature]
DRAWN BY	KMB	APPROVED BY	[Signature]
HOR. SCALE	AS NOTED	RELEASED FOR CONSTRUCTION	[Signature]
VERT. SCALE	N/A	DATE	12/09/21



CONSULTANT DRAWING NO. 60163046-01-C-105-R0X.dwg

THE CITY OF WINNIPEG
WATER AND WASTE DEPARTMENT

WATER TREATMENT PLANT PROTECTED CONNECTIONS

CIVIL
CHLORINE CONTACT CHAMBER
PLAN, ELEVATIONS & SECTIONS

SHEET 6 OF 10

CITY DRAWING NUMBER

1-0601Y-C0058-001

REV 0