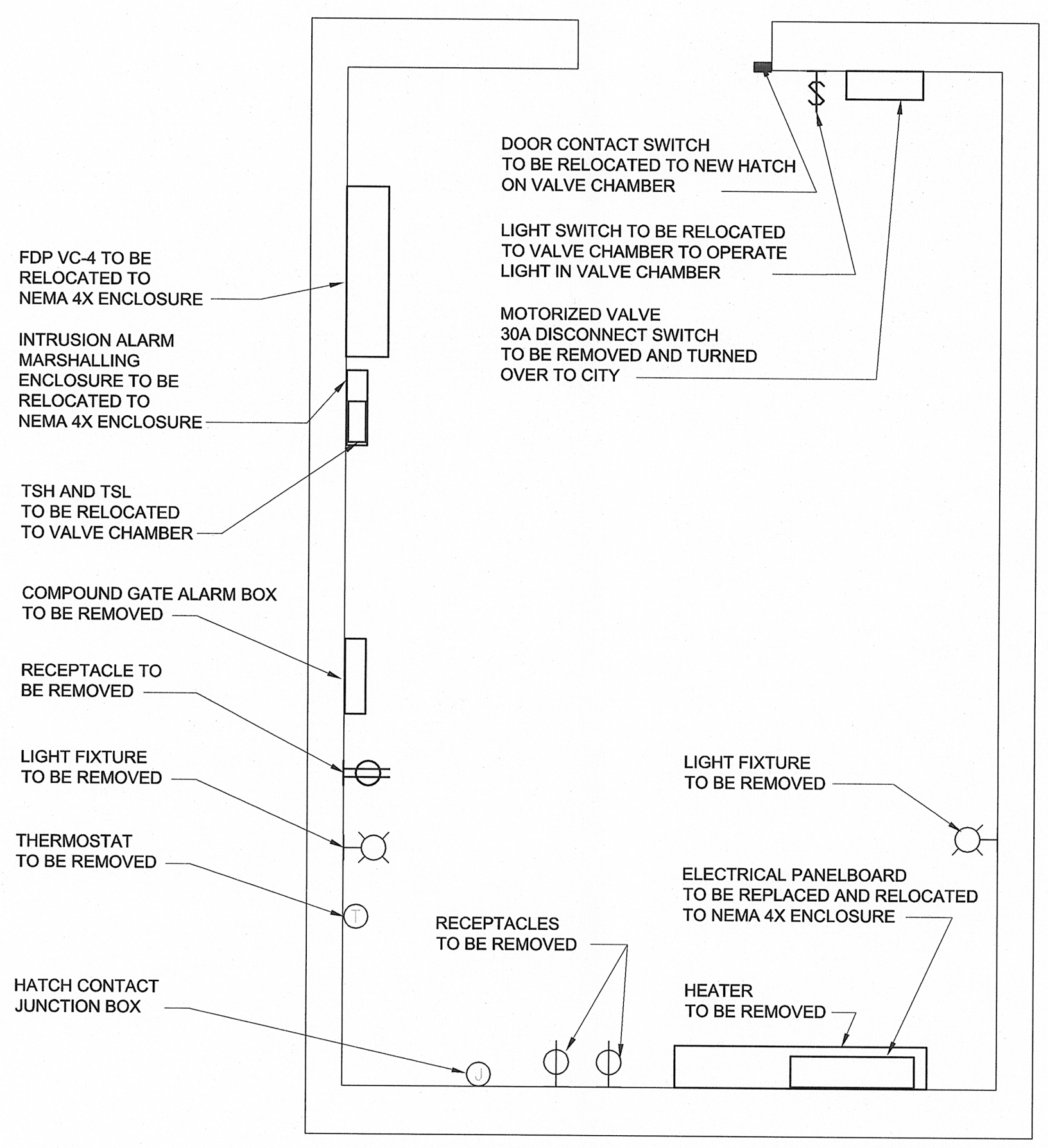


D SIZE 22" x 34" (559mm x 864mm)

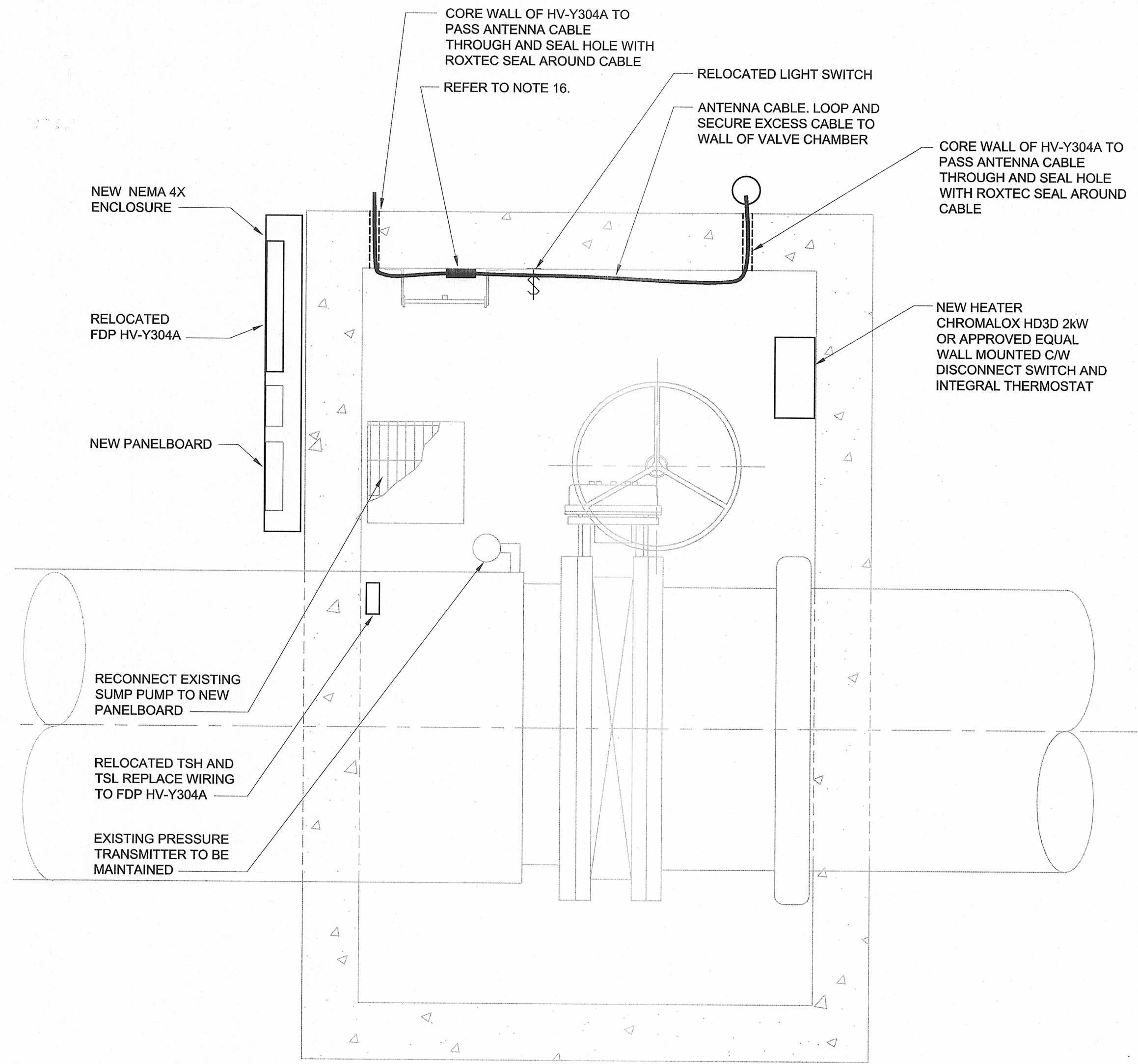
PLOT: 9/20/2012 4:49:56 PM

AECOM REVIEW DRFT CHK
AECOM FILE NAME: 60163046-01-E-102-R0X.dwg Saved By: cvelern



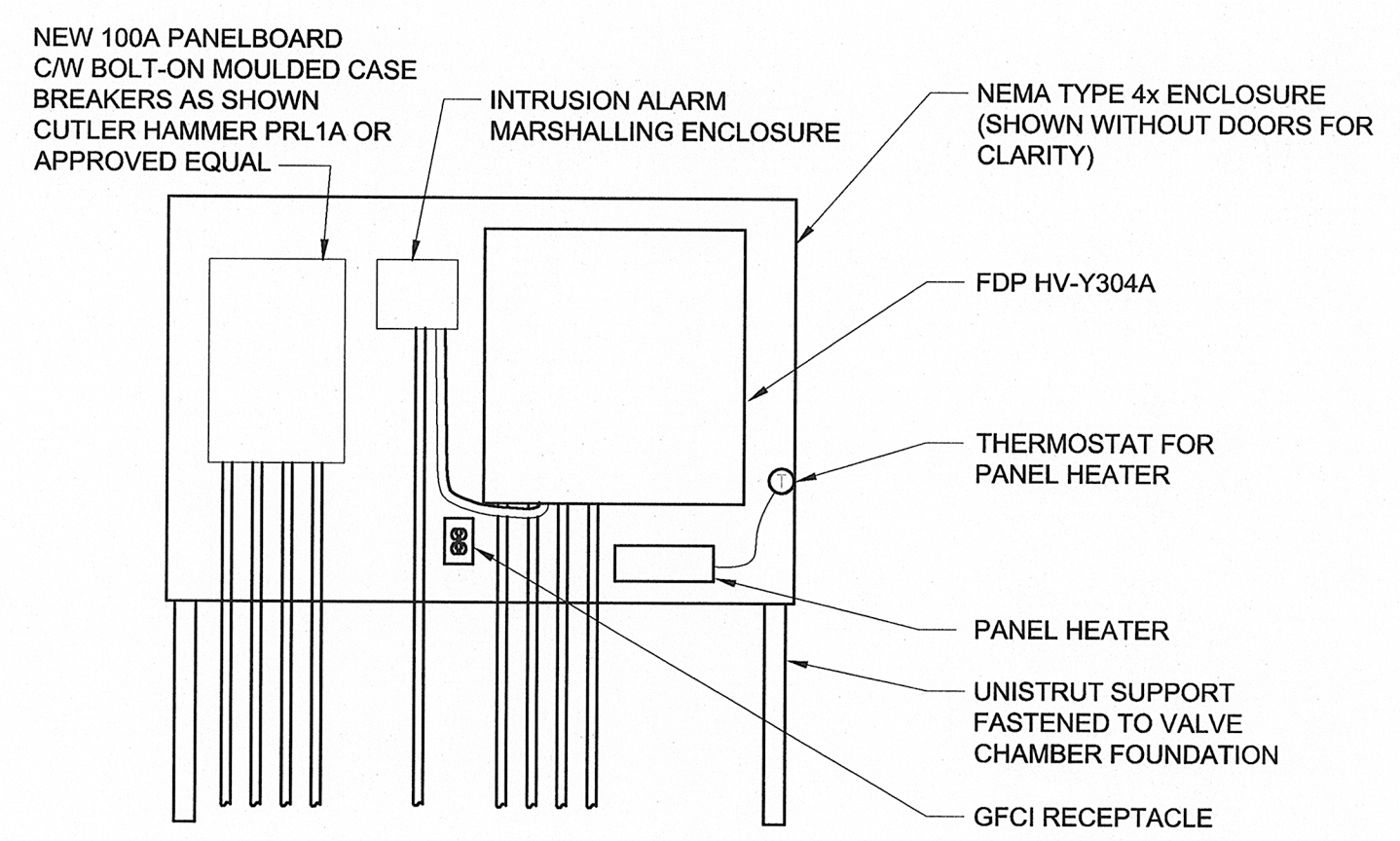
EXISTING HV-Y304A ABOVE GRADE FLOOR PLAN

SCALE 1:20



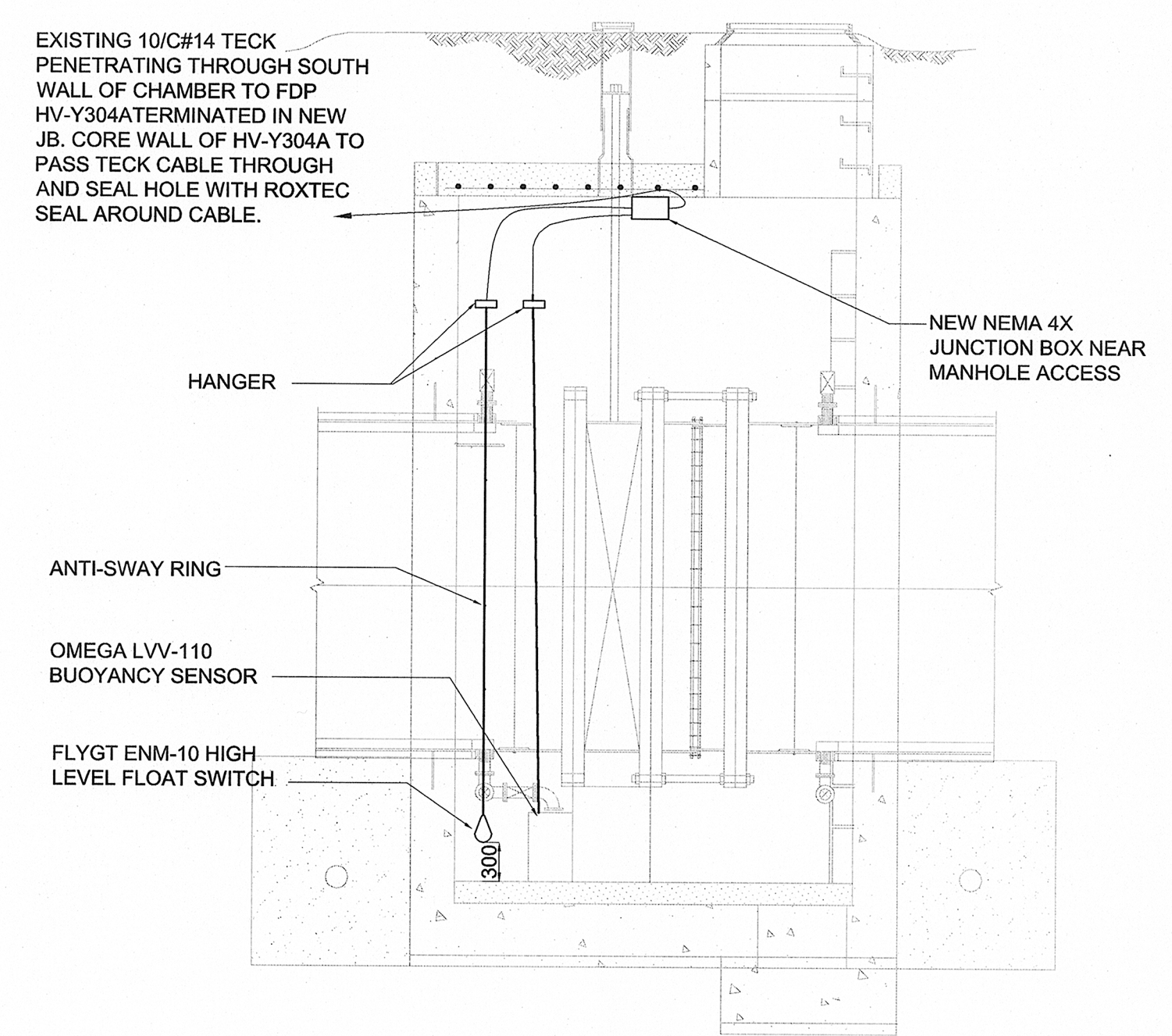
PROPOSED CHANGES TO VALVE CHAMBER

SCALE 1:20



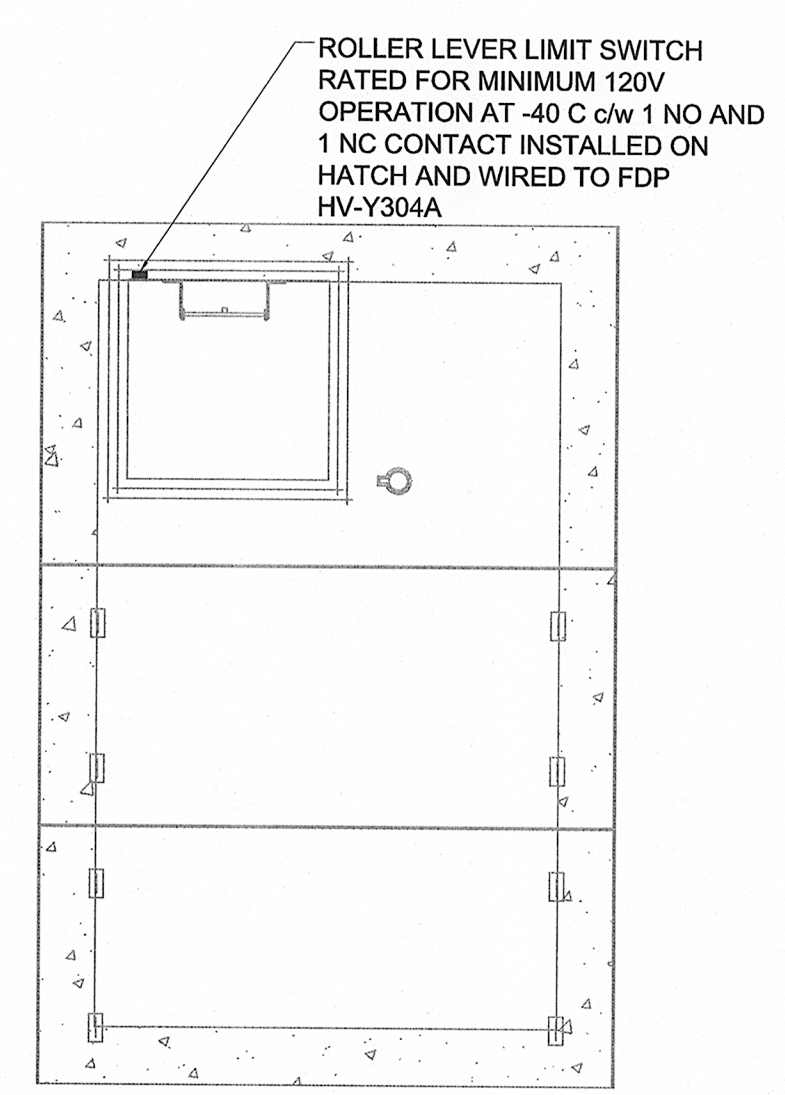
DETAIL - NEMA 4X ENCLOSURE

SCALE: NTS



SECTION-CHLORINE CONTACT CHAMBER

SCALE 1:40



REMOVABLE SLAB PLAN

SCALE 1:40

SCOPE OF WORK

- COORDINATE ALL WORK WITH OTHER DISCIPLINES AND WITH CITY.
- PROTECT ANTENNA CABLE FROM DAMAGE AT ALL TIMES. DO NOT DISCONNECT CABLE WITHOUT PRIOR APPROVAL FROM CITY.
- REMOVE COMPOUND GATE ALARM ENCLOSURE, MOTORIZED VALVE DISCONNECT SWITCH, HEATER, THERMOSTAT, INTRUSION ALARM ENCLOSURE, DOOR CONTACT, BUILDING LIGHTS AND RECEPTACLES AND TURN OVER TO CITY.
- REMOVE TSL AND TSH AND RETAIN FOR INSTALLATION IN VALVE CHAMBER.
- REMOVE LIGHT SWITCH AND RETAIN FOR INSTALLATION IN VALVE CHAMBER TO CONTROL LIGHT.
- INSTALL NEMA 4X ENCLOSURE C/W NEW PANELBOARD.
- DISCONNECT POWER FEED CABLE TO EXISTING PANELBOARD AND CONNECT TO NEW PANELBOARD.
- REMOVE ALL POWER TO EXISTING DEVICES FROM EXISTING PANELBOARD AND CONNECT TO NEW PANELBOARD. IN CASES WHERE THE EXISTING CABLE IS TOO SHORT TO REACH THE NEW LOCATION USE AN APPROVED UNDERGROUND CABLE SPLICE KIT TO EXTEND THE CABLE TO THE NEW PANELBOARD.
- INSTALL NEW HEATER IN VALVE CHAMBER AND WIRE TO PANELBOARD.
- DISCONNECT FDP HV-Y304A AND RE-INSTALL IN WEATHERPROOF ENCLOSURE. COORDINATE WITH CITY.
- RE-INSTALL TSL AND TSH IN VALVE CHAMBER AND REWIRE TO FDP HV-Y304A. RECONNECT WIRING FROM DAV-3 HATCH CONTACT TO FDP HV-Y304A.
- WHEN HATCH TO VALVE CHAMBER HAS BEEN INSTALLED, INSTALL NEW LIMIT SWITCH ON HATCH AND WIRE TO FDP HV-Y304A ON TERMINAL BLOCKS WHERE INTRUSION ALARM HAD BEEN TERMINATED.
- INSTALL NEW 250mmx250mmx150mm NEMA 4X FIBREGLASS JUNCTION BOX C/W TERMINAL BLOCK STRIP MOUNTED ON DIN RAIL IN CHLORINE CONTACT CHAMBER AS SHOWN ON SECTION.
- INSTALL NEW LEVEL SWITCH IN CHLORINE CONTACT CHAMBER (AS SHOWN ON DRAWING 1-0601Y-C0058-001 AIR GAP MONITORING EQUIPMENT DETAIL) AND TERMINATE CABLE IN NEW JUNCTION BOX.
- INSTALL NEW HIGH LEVEL ALARM FLOAT SWITCH IN CHLORINE CONTACT CHAMBER (AS SHOWN ON SECTION AND TERMINATE CABLE IN NEW JUNCTION BOX).
- TERMINATE SPARE CONTROL CABLE FROM CHLORINE CONTACT CHAMBER ON SPARE TERMINALS IN FDP HV-Y304A. COMPLETE COMMUNICATIONS CIRCUIT TO DEACON BOOSTER PUMP STATION WITH EXISTING SPARE CONDUCTORS IN THE CABLE TO DBPS.
- CORE 2-2" HOLES IN WALL AT EACH END OF VALVE CHAMBER AS SHOWN FOR ANTENNA CABLE INSTALLATION.
- DISCONNECT AND PASS ANTENNA CABLE THROUGH HOLES IN WALL OF VALVE CHAMBER. RUN CABLE THROUGH VALVE CHAMBER.
- RECONNECT CABLE. USE ANDREW 3M COLD SHRINK KIT TO SEAL CONNECTORS. SEAL HOLES IN WALL WITH ROXTEC SEAL.

LOCATION APPROVED
UNDERGROUND STRUCTURES

SUPR. U/G STRUCTURES COMMITTEE DATE _____
NOTE:
LOCATION OF UNDERGROUND STRUCTURES AS SHOWN ARE BASED ON THE BEST INFORMATION AVAILABLE. BUT NO GUARANTEE IS GIVEN THAT ALL EXISTING UTILITIES ARE SHOWN OR THAT THE GIVEN LOCATIONS ARE EXACT. CONFIRMATION OF EXISTENCE AND EXACT LOCATION OF ALL SERVICES MUST BE OBTAINED FROM THE INDIVIDUAL UTILITIES BEFORE PROCEEDING WITH CONSTRUCTION.

AECOM
Certificate of Authorization
AECOM Canada Ltd.
No. 4671 Date: Sep 21, 2012

NO.	ISSUED FOR CONSTRUCTION	12/09/21	SS
NO.	REVISIONS	YY/MM/DD	BY

AECOM

DESIGNED BY: EC
DRAWN BY: EC
HOR. SCALE: AS NOTED
VERT. SCALE: N/A

CHECKED BY: [Signature]
APPROVED BY: [Signature]
RELEASED FOR CONSTRUCTION: [Signature]
DATE: 8/27/2012

PROFESSIONAL'S SEAL
SAJ
Member
30812
CONSULTANT DRAWING NO.
60163046-01-E-102-R0X.dwg

THE CITY OF WINNIPEG
WATER AND WASTE DEPARTMENT

WATER TREATMENT PLANT
PROTECTED CONNECTIONS

ELECTRICAL
VALVE CHAMBER HV-Y304A

BID OPPORTUNITY NO. 708-2012

SHEET 10 OF 10
CITY DRAWING NUMBER
1-0601Y-E0011-001
REV 0

Power Source: A-2		PANEL				Location: NEAR HV-Y304A			
Feeder: EXISTING		Main Breaker: NA				Voltage: 120/208V			
		Mains: 100A				Mounting: SURFACE IN NEMA 4X ENCLOSURE			
DESCRIPTION	LOAD	BKR	CCT A	B	C	CCT	BKR	LOAD	DESCRIPTION
HV-Y304A PIT PLUG AND SUMP PUMP	20A	1	*			2	15A		PLUG HV-Y304A
CENTRE PIT PLUG AND PUMP	15A	3	*			4	15A		HV-Y304A SUMP PLUG
EAST PIT PLUG	20A	5	*			6	15A		ALARM PANEL
EAST PIT LIGHT	15A	7	*			8	15A		PANEL HEATER
SPARE	15A	9	*			10	15A		SPARE
SPACE						11			SPACE
VALVE CHAMBER HEATER	2kW	15A-2P	*			14	40A-2P		TRAILER
SPACE						15			SPACE
						17			SPACE