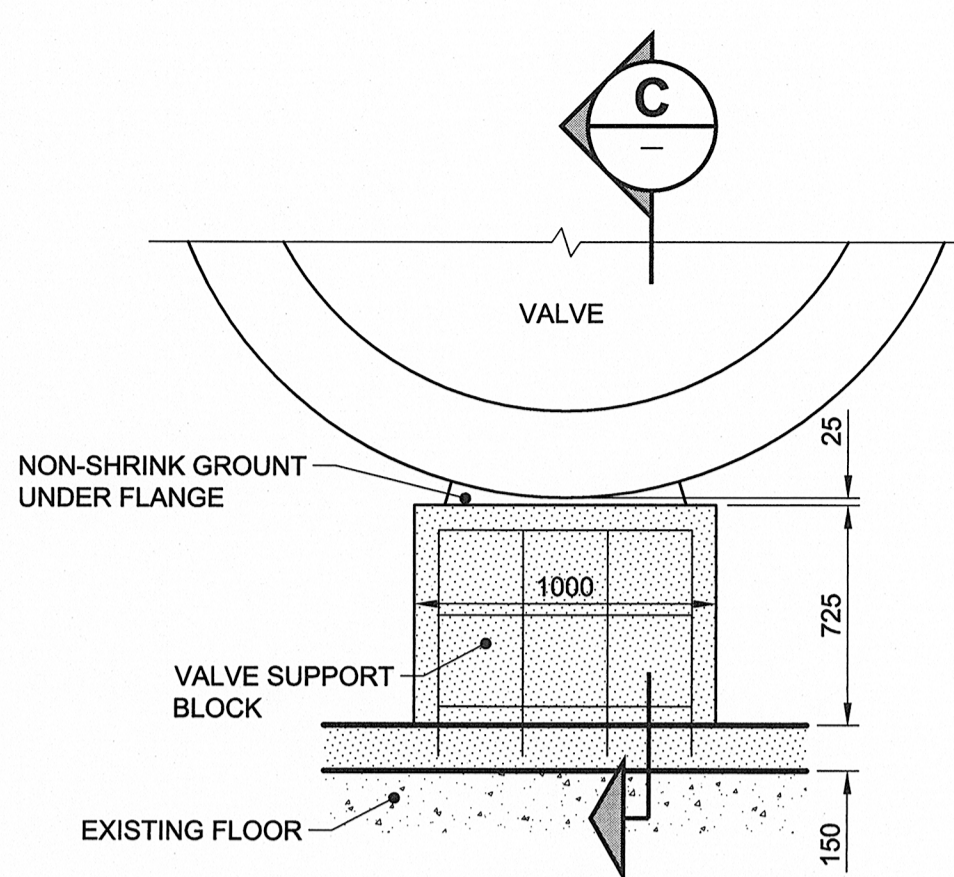


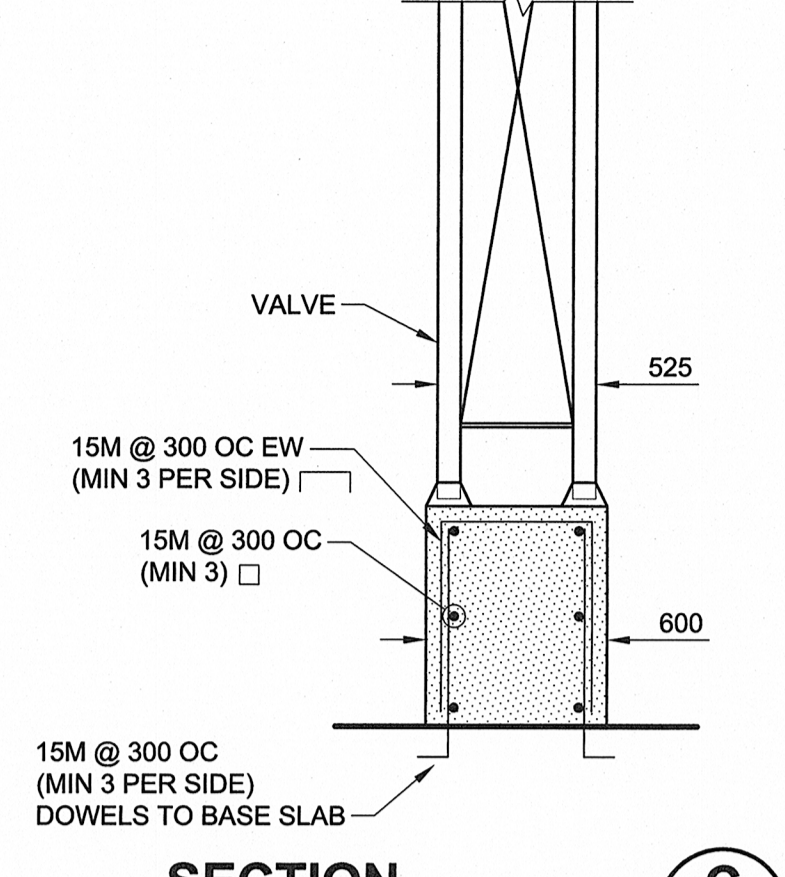
PLAN - PROPOSED

SCALE 1:40



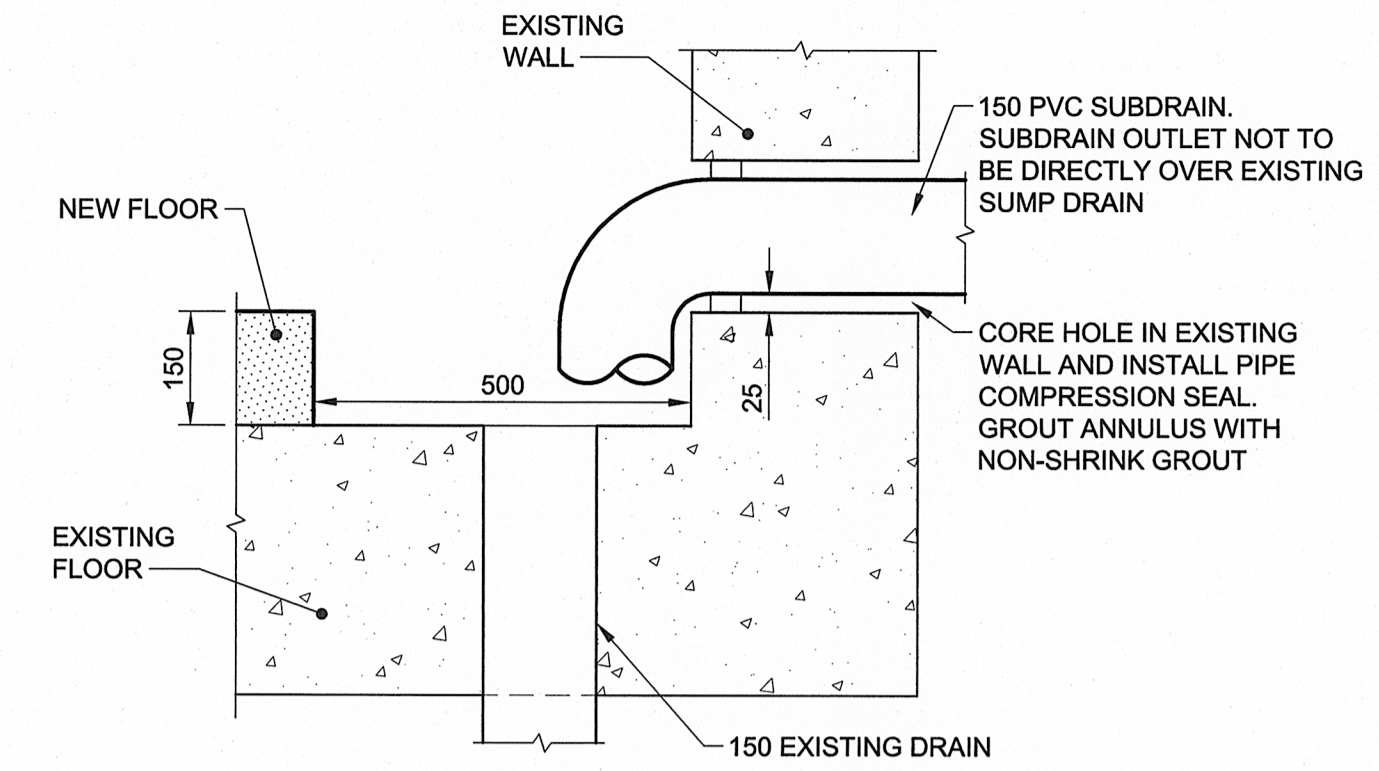
VALVE SUPPORT DETAIL

SCALE 1:25



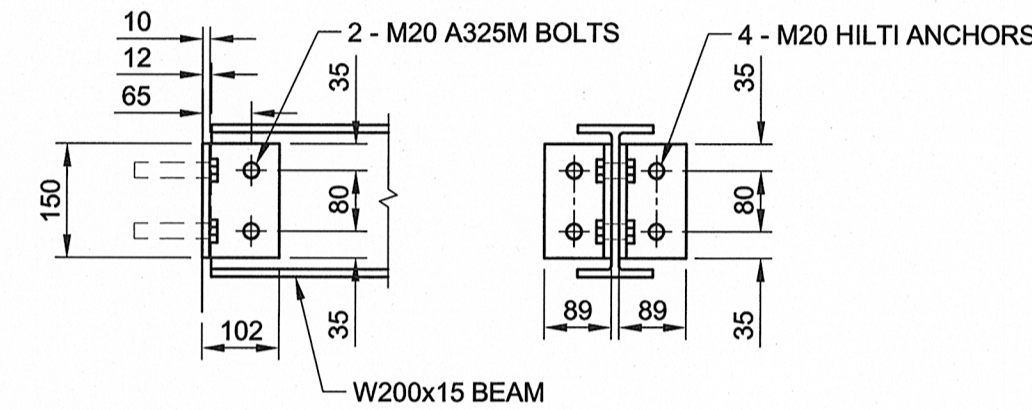
SECTION

SCALE 1:25



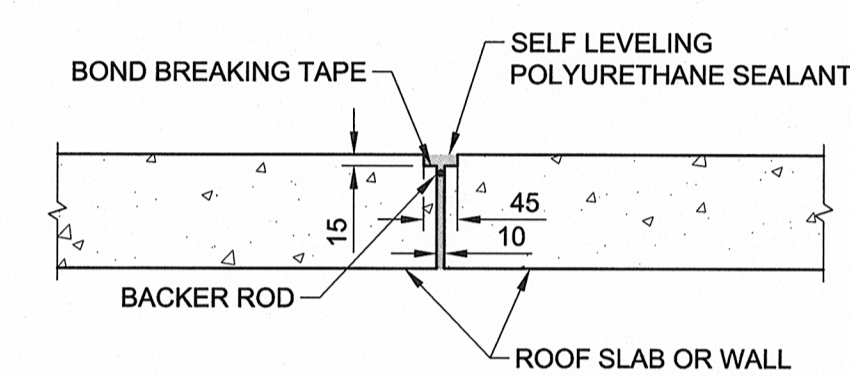
SUMP DETAIL

SCALE 1:10



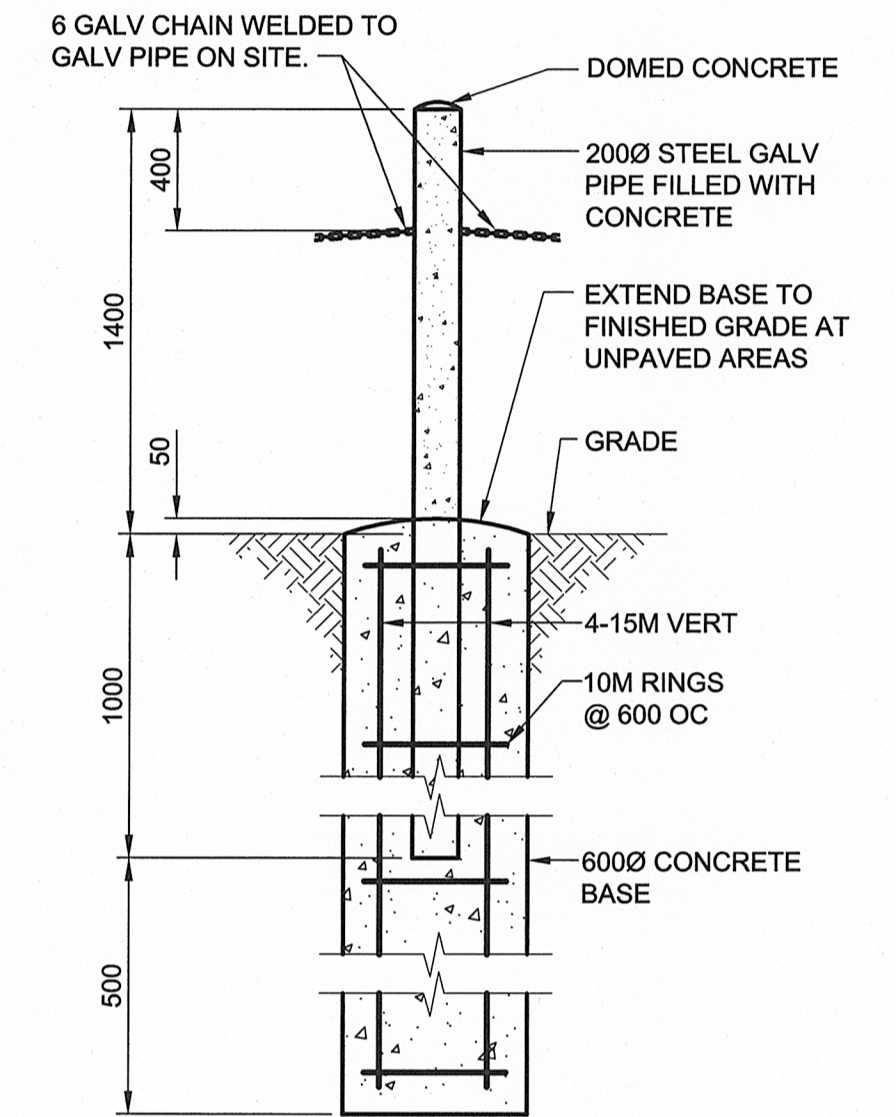
BOLTED CONNECTION DETAIL

SCALE 1:10



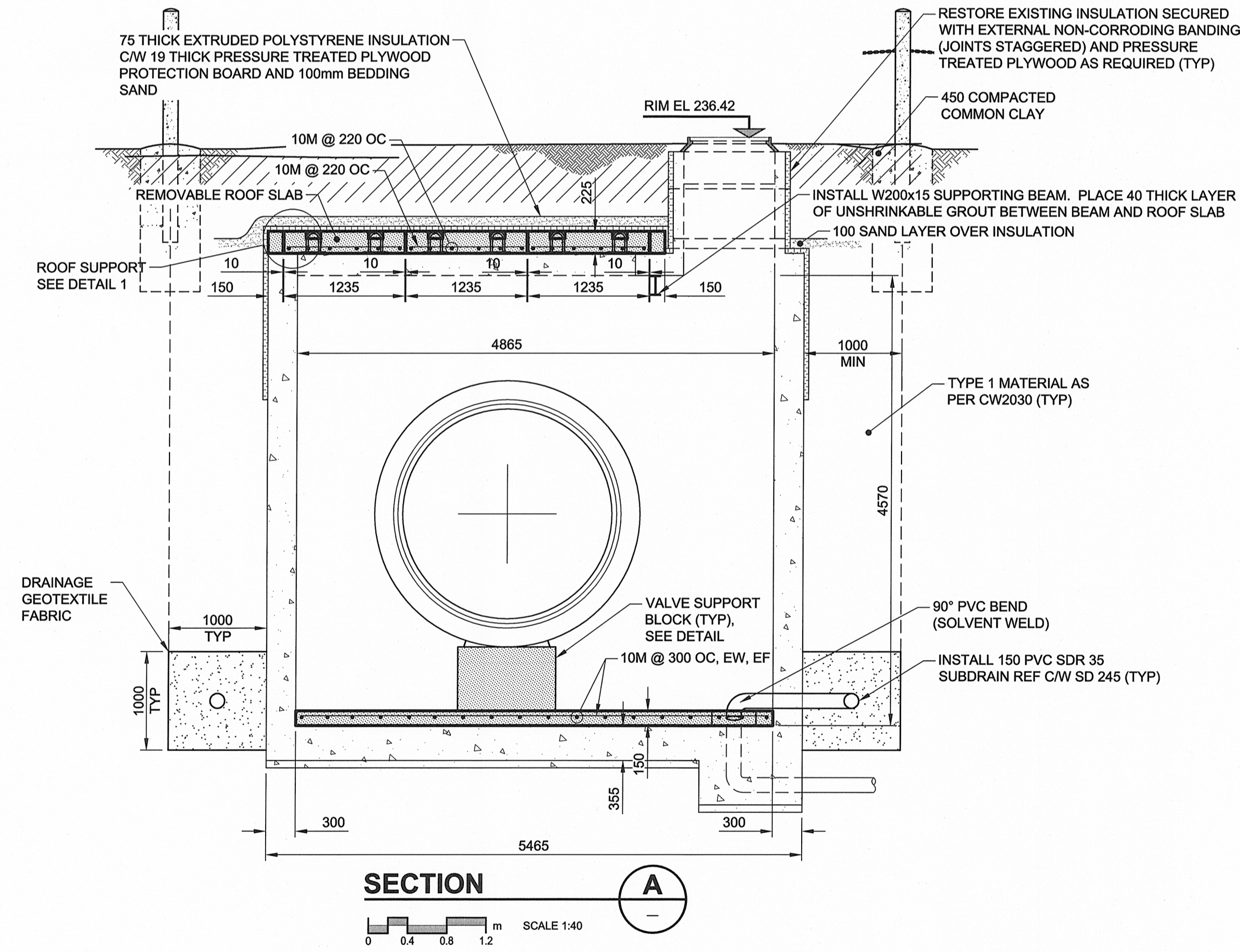
REMOVABLE SLAB CAULKING DETAIL

SCALE 1:10



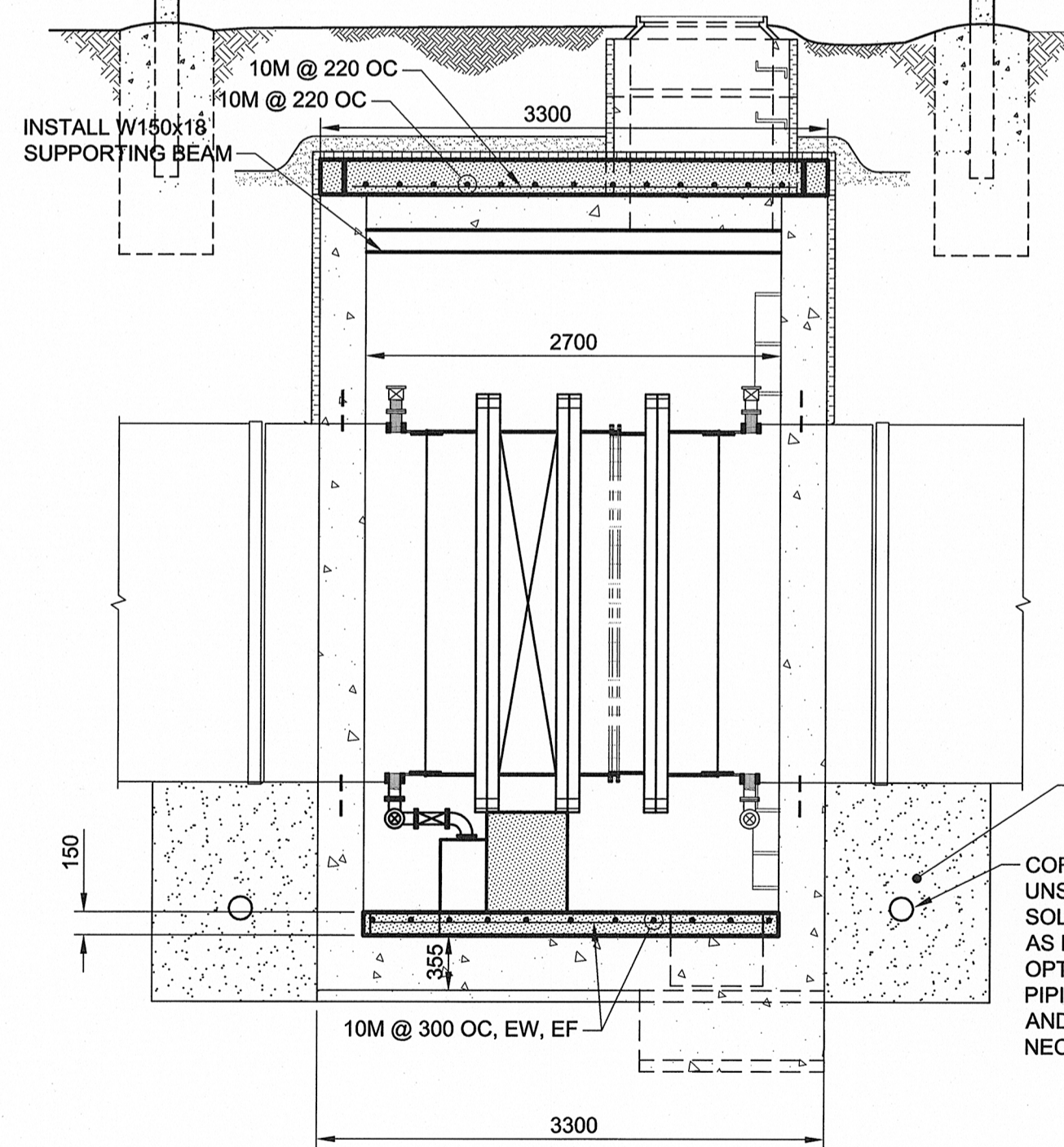
TYPICAL BOLLARD DETAIL

SCALE 1:25



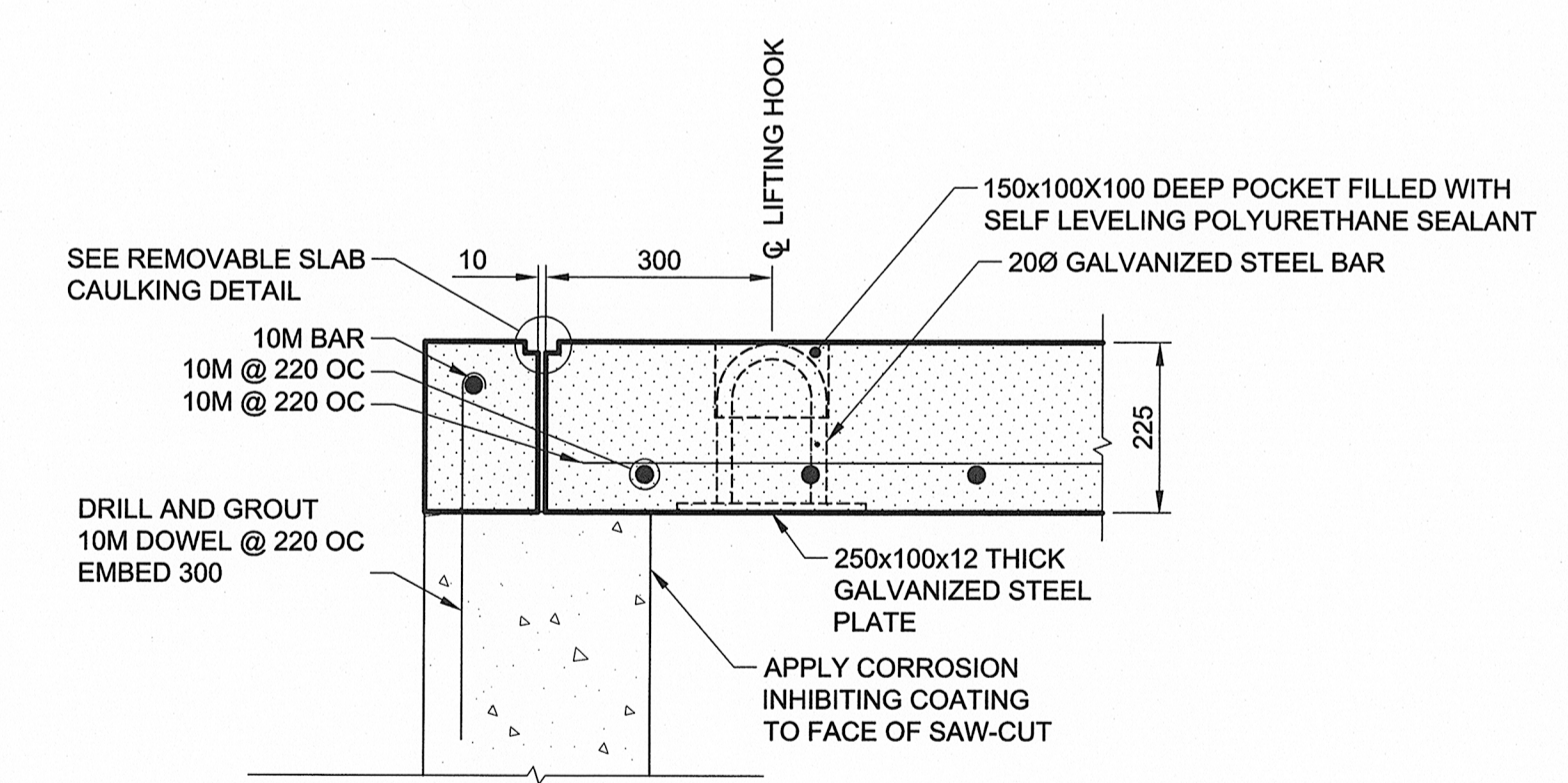
SECTION

SCALE 1:40



SECTION

SCALE 1:40



DETAIL 1

SCALE 1:10

- GENERAL CONSTRUCTION SEQUENCING
THE FOLLOWING GENERAL CONSTRUCTION SEQUENCE SHALL BE FOLLOWED, UNLESS OTHERWISE APPROVED BY THE CONTRACT ADMINISTRATOR:
1. CONSTRUCT AND INSTALL SUB-DRAIN
 2. INSTALL INTERIOR SUPPORT BEAM
 3. SAW-CUT EXISTING ROOF
 4. INSTALL CHAMBER PIPING
 5. CONSTRUCT CONCRETE CURB AND INSTALL REMOVABLE ROOF SLABS



LOCATION APPROVED UNDERGROUND STRUCTURES

SUPR. U/G STRUCTURES	DATE	COMMITTEE

NOTE:
LOCATION OF UNDERGROUND STRUCTURES AS SHOWN ARE BASED ON THE BEST INFORMATION AVAILABLE. BUT NO GUARANTEE IS GIVEN THAT ALL EXISTING UTILITIES ARE SHOWN OR THAT THE GIVEN LOCATIONS ARE EXACT. CONFIRMATION OF EXISTENCE AND EXACT LOCATION OF ALL SERVICES MUST BE OBTAINED FROM THE INDIVIDUAL UTILITIES BEFORE PROCEEDING WITH CONSTRUCTION.



DESIGNED BY	JT	CHECKED BY	[Signature]
DRAWN BY	KMB	APPROVED BY	[Signature]
HOR. SCALE	AS NOTED	RELEASED FOR CONSTRUCTION	[Signature]
VERT. SCALE	N/A	DATE	12/09/21

PROFESSIONAL'S SEAL
PROVINCE OF MANITOBA
REGISTERED PROFESSIONAL ENGINEER
S.B. BISWANGER
CONSULTANT DRAWING NO.
60163046-01-S-101-R0X.dwg

BID OPPORTUNITY NO. 708-2012

THE CITY OF WINNIPEG
WATER AND WASTE DEPARTMENT

WATER TREATMENT PLANT
PROTECTED CONNECTIONS

STRUCTURAL
CHLORINE CONTACT CHAMBER
PLAN, ELEVATIONS, SECTIONS & DETAILS

SHEET 7 OF 10
CITY DRAWING NUMBER
1-0601Y-S0022-001
REV 0