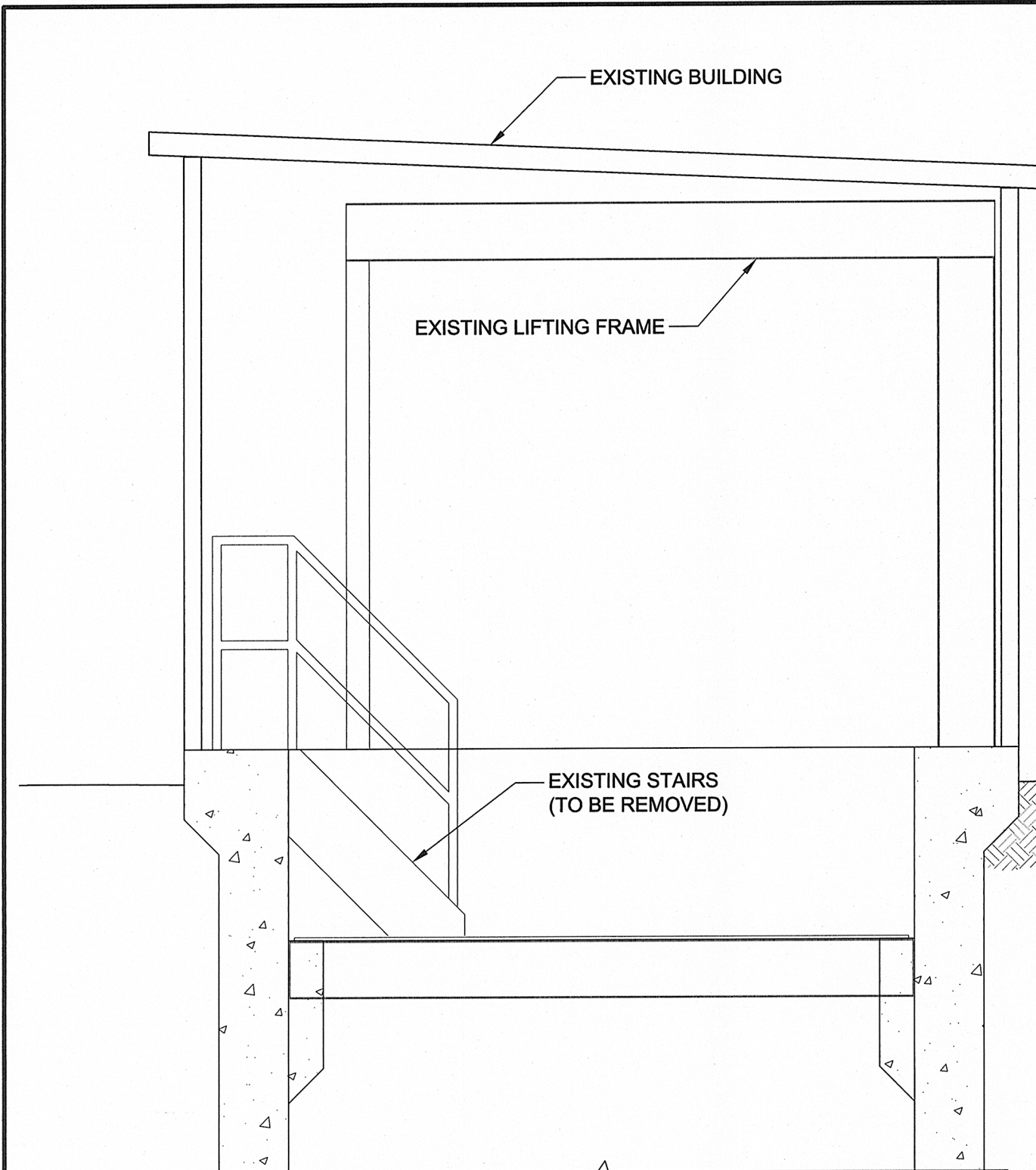


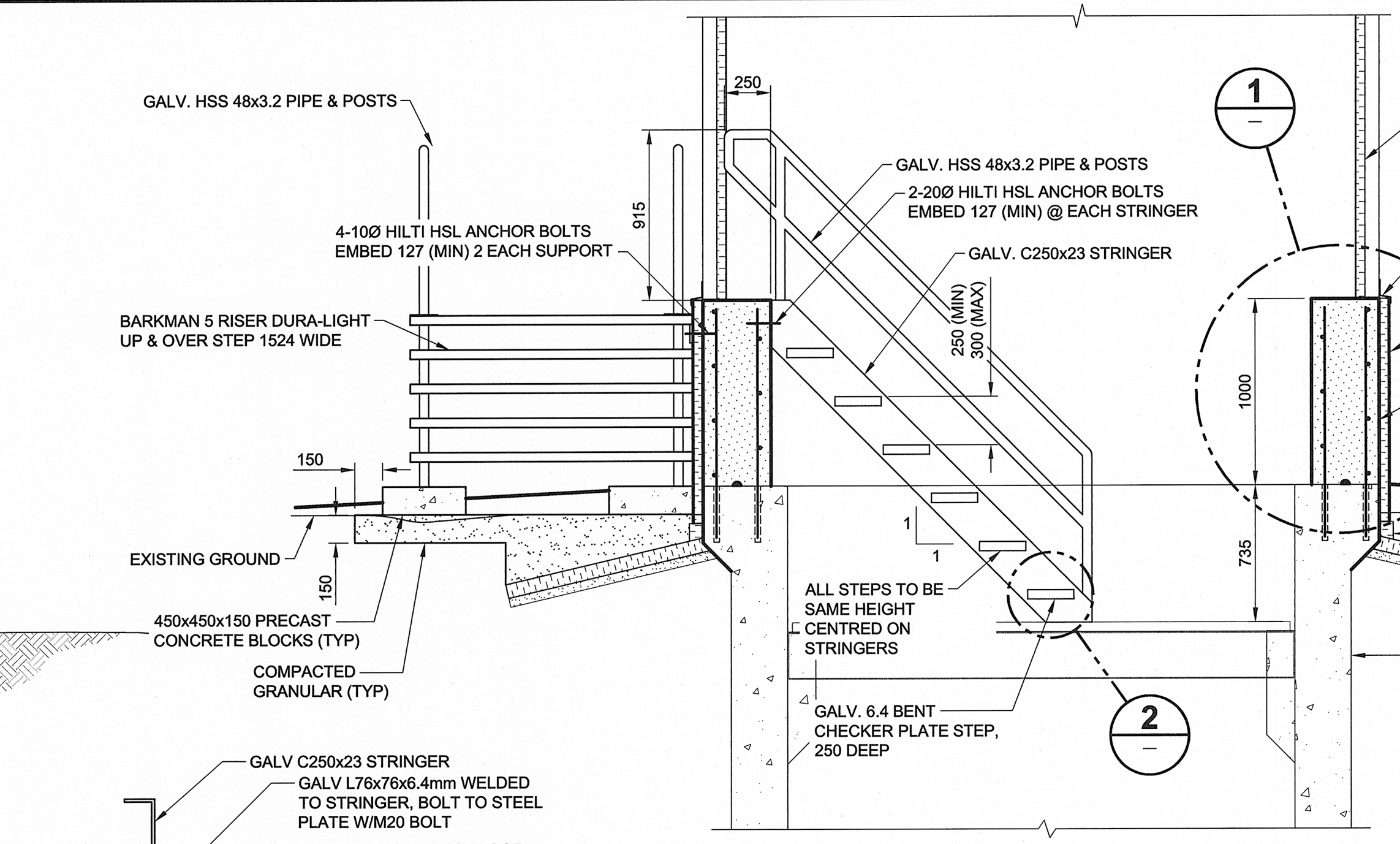
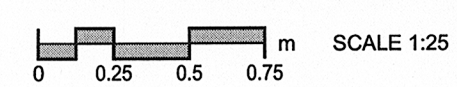
D SIZE 22" x 34" (559mm x 864mm)

PLOT: 12/09/21 10:23:19 AM

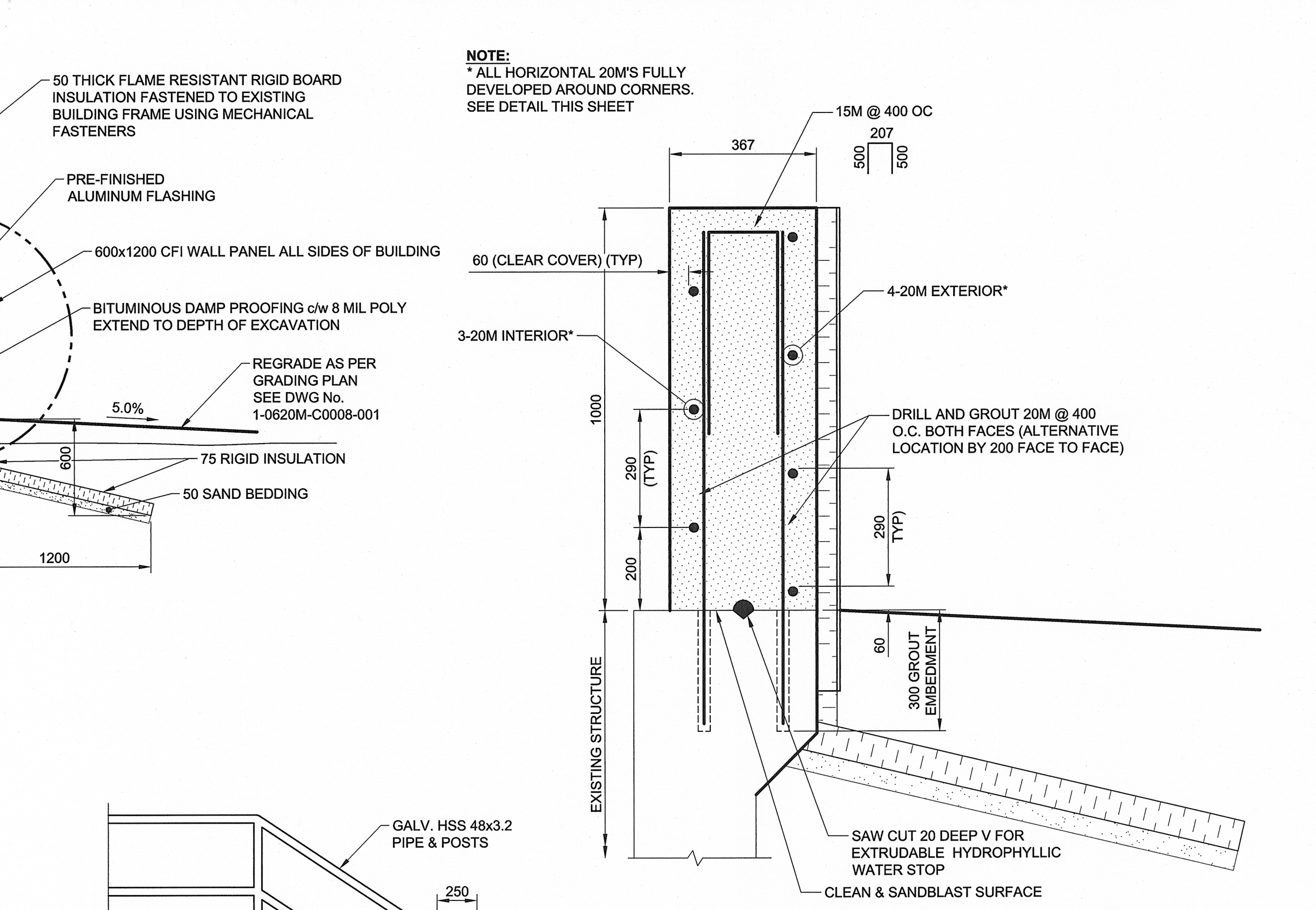
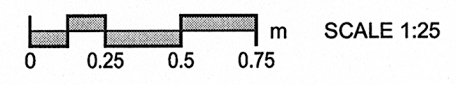
AECOM FILE NAME: 80163046-01-S-102-R0X.dwg Saved By: cooperk



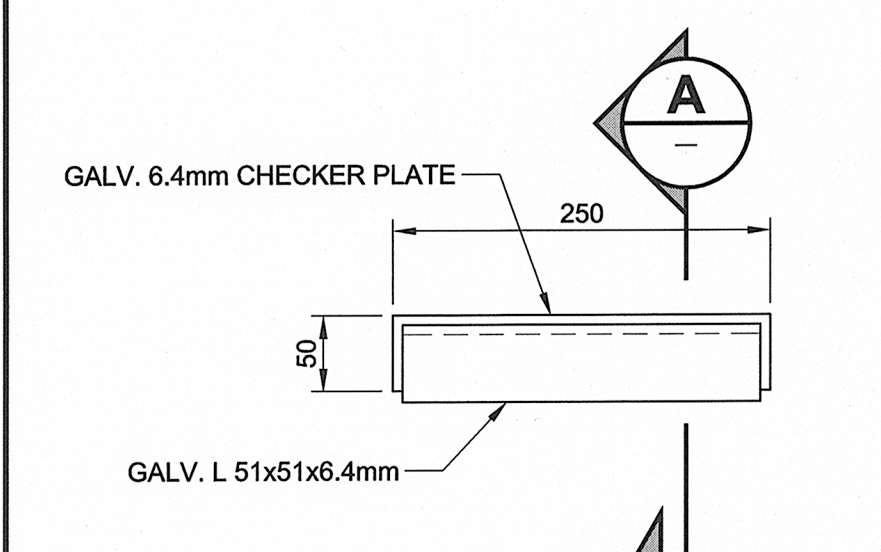
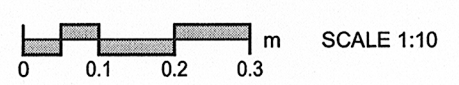
EXISTING - SECTION



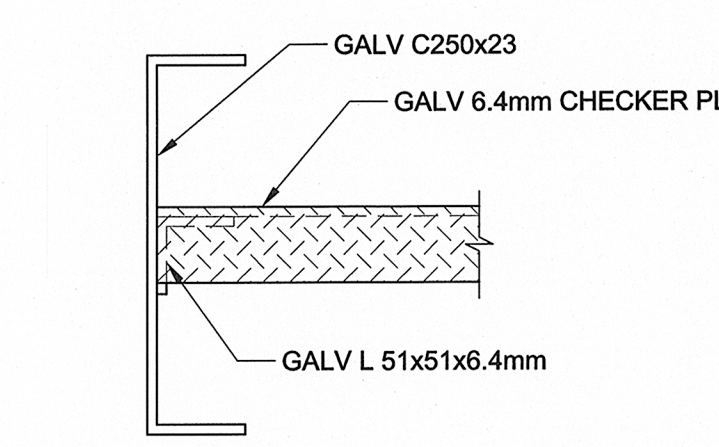
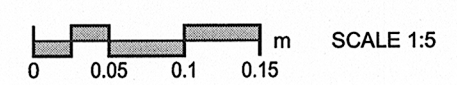
PROPOSED - SECTION



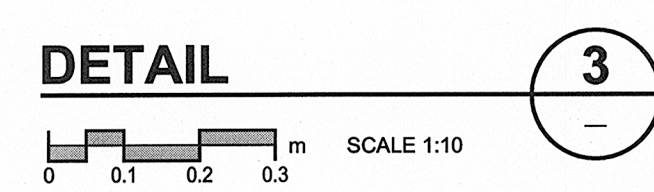
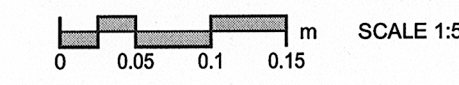
DETAIL 1



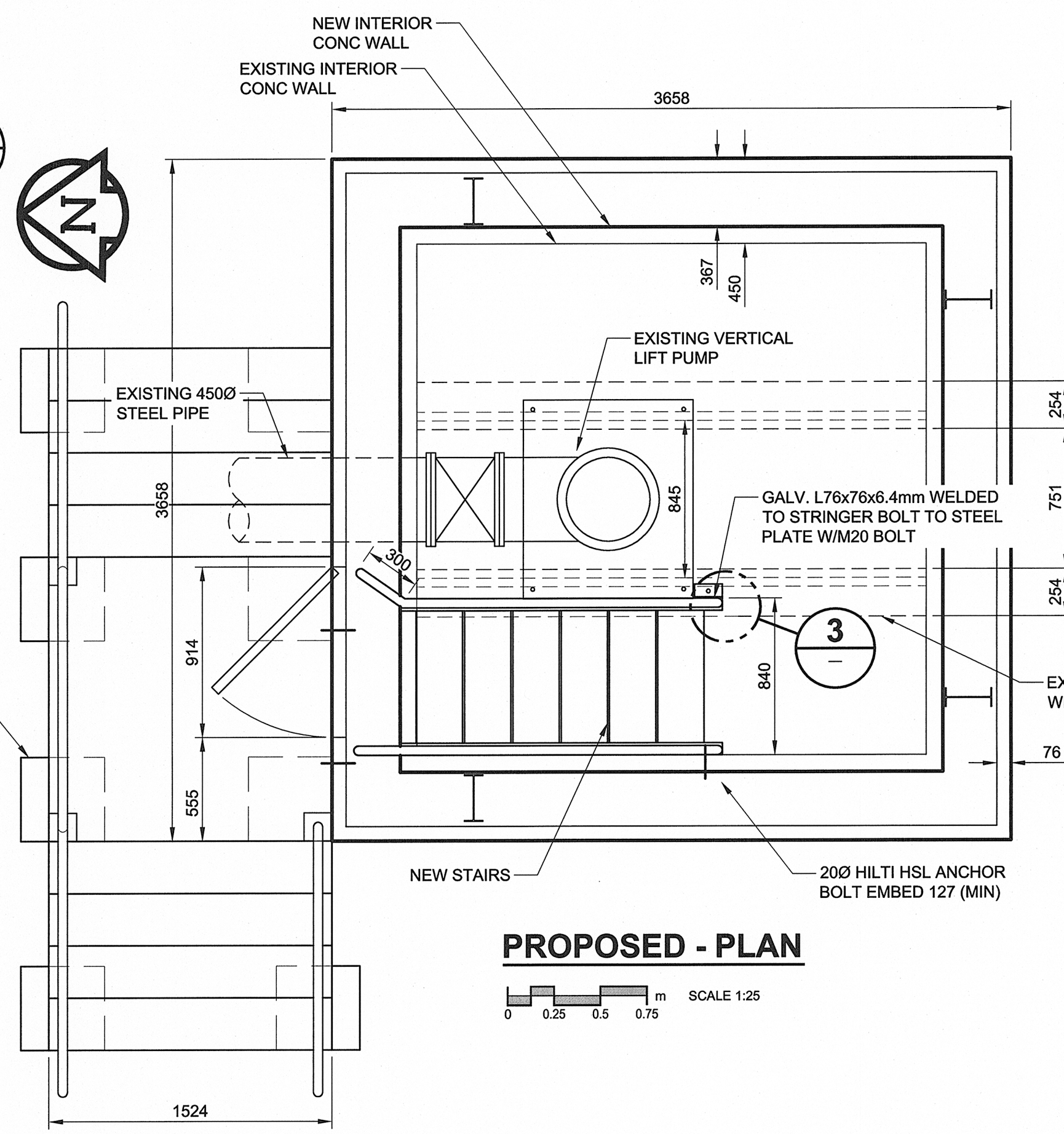
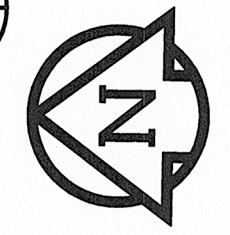
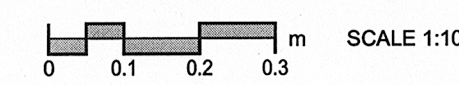
DETAIL 2



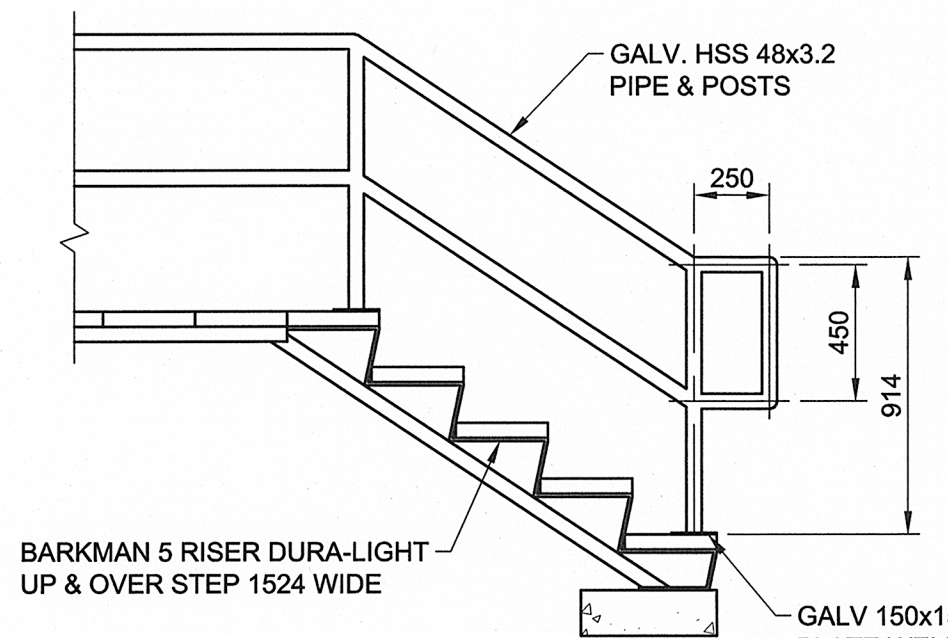
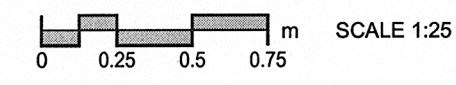
SECTION A



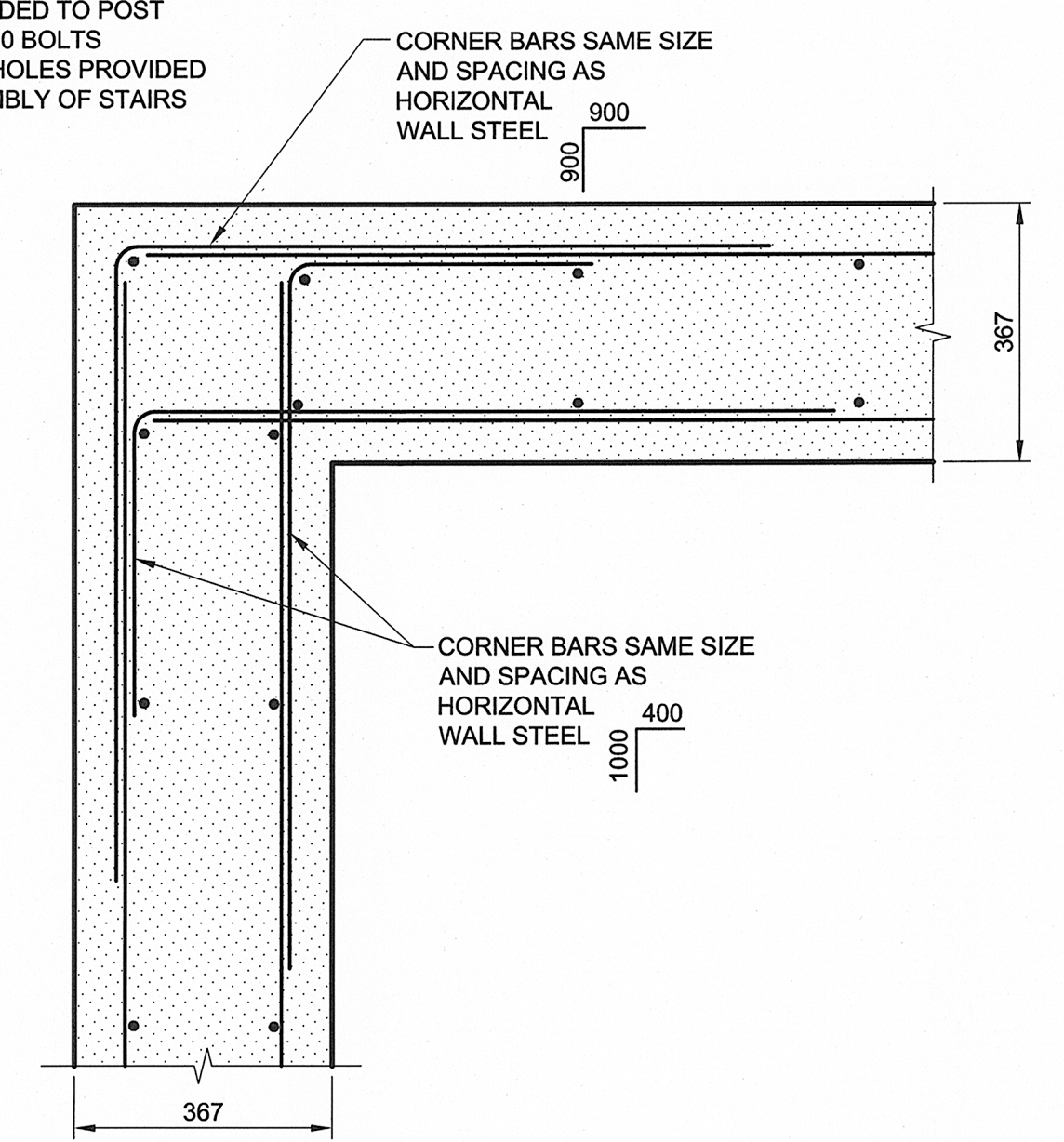
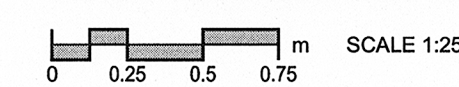
DETAIL 3



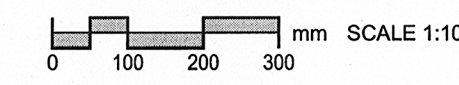
PROPOSED - PLAN



RAILING DETAIL



OUTSIDE CORNER REINFORCING



- GENERAL NOTES:**
- SUBMIT SHOP DRAWINGS FOR THE FOLLOWING IN ACCORDANCE WITH THE SPECIFICATIONS. ALL SHOP DRAWINGS TO BEAR THE SEAL OF A PROFESSIONAL ENGINEER REGISTERED IN THE PROVINCE OF MANITOBA:
    - REINFORCING STEEL
    - STEEL FABRICATIONS
    - CONCRETE MIX DESIGN STATEMENT
    - CONCRETE QUALITY CONTROL PLAN
 (DETAILED CONSTRUCTION PROCEDURE TO BE DETERMINED BY CONTRACTOR)
  - MATCH EXISTING BUILDING ANCHOR SYSTEM WITH ALL NEW HARDWARE.

- STEEL FABRICATION:**
- ALL FASTENERS AND FABRICATED STEEL TO BE GALVANIZED
  - ANCHOR BOLTS CONFORMING TO ASTM A307
  - CONNECTION BOLTS CONFORMING TO ASTM A325
  - GALVANIZING SHAPES TO ASTM A123 FASTENERS ASTM A153
  - STEEL PLATES, CHANNELS AND ANGLES CONFORMING TO CAN/CSA G 40.20, TYPE W WITH A MINIMUM YIELD STRENGTH OF 300 MPa
  - WELDING OF ALL LOAD CARRYING ASSEMBLIES IS TO BE PERFORMED BY A FIRM CERTIFIED BY THE CANADIAN WELDING BUREAU TO THE REQUIREMENTS OF CAN/CSA W47.1

- GENERAL CONSTRUCTION PROCEDURE:**
- DISCONNECT EXISTING ELECTRICAL.
  - REMOVE BUILDING FROM FOUNDATION INCLUDING EXISTING STAIRS.
  - REMOVE STEEL LIFTING FRAME FROM FOUNDATION
  - PREPARE AND CONSTRUCT CONCRETE WALLS
  - REINSTALL STEEL LIFTING FRAME ON NEW CONCRETE WALLS
  - INSTALL NEW INTERIOR STAIRS
  - REINSTALL BUILDING ON NEW CONCRETE WALLS
  - INSTALL NEW INTERIOR STAIRS
  - RECONNECT ELECTRICAL
  - REPLACE INSULATION WITHIN BUILDING
  - INSTALL EXTRUDED POLYSTYRENE INSULATION BELOW GRADE AND CEMENT PROTECTION BOARD.
  - INSTALL NEW EXTERIOR STAIRS
  - COMPLETE GRADING AND LANDSCAPING



LOCATION APPROVED		UNDERGROUND STRUCTURES	
SUPR. U/G STRUCTURES COMMITTEE	DATE		
NOTE: LOCATION OF UNDERGROUND STRUCTURES AS SHOWN ARE BASED ON THE BEST INFORMATION AVAILABLE. BUT NO GUARANTEE IS GIVEN THAT ALL EXISTING UTILITIES ARE SHOWN OR THAT THE GIVEN LOCATIONS ARE EXACT. CONFIRMATION OF EXISTENCE AND EXACT LOCATION OF ALL SERVICES MUST BE OBTAINED FROM THE INDIVIDUAL UTILITIES BEFORE PROCEEDING WITH CONSTRUCTION.			
0	ISSUED FOR CONSTRUCTION	12/09/21	KMB/KLC
NO.	REVISIONS	YYMMDD	BY

<b>AECOM</b>	
DESIGNED BY: ADB	CHECKED BY: [Signature]
DRAWN BY: KMB	APPROVED BY: [Signature]
HOR. SCALE: AS NOTED	RELEASED FOR CONSTRUCTION: [Signature]
VERT. SCALE: N/A	DATE: 12/09/21
DATE:	



**THE CITY OF WINNIPEG**  
**WATER AND WASTE DEPARTMENT**

**DEACON CULVERT REHABILITATION**

**STRUCTURAL**  
 CELL 1 DEWATERING PUMP STATION SECTIONS & DETAILS

SHEET 8 OF 10  
 CITY DRAWING NUMBER 1-0620M-S0001-001  
 REV 0

BID OPPORTUNITY NO. 708-2012

**METRIC**  
 WHOLE NUMBERS INDICATE MILLIMETRES  
 DECIMALIZED NUMBERS INDICATE METRES