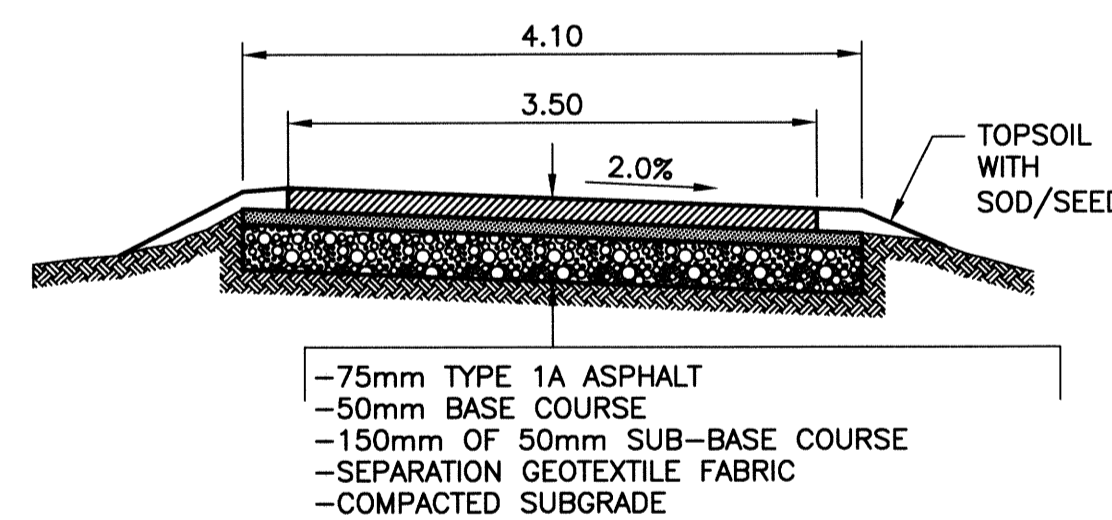
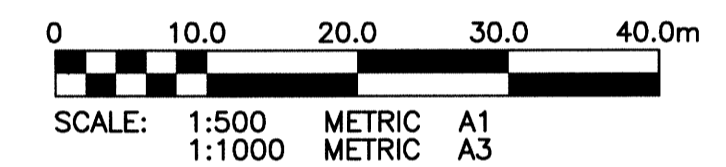
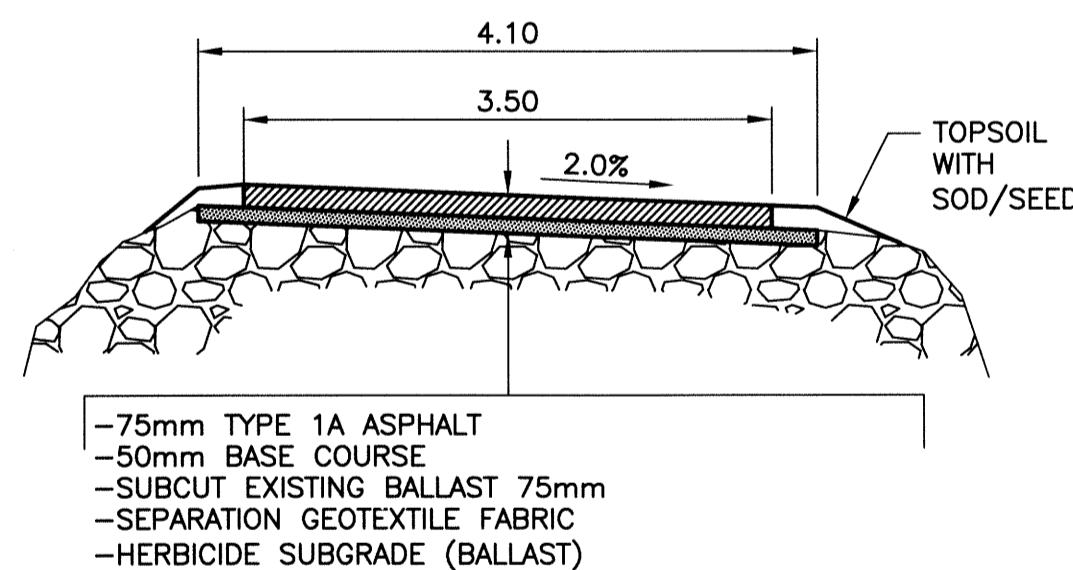


PLAN-GATEWAY ROAD STA. 10+50 TO STA. 13+00  
SCALE: 1:500

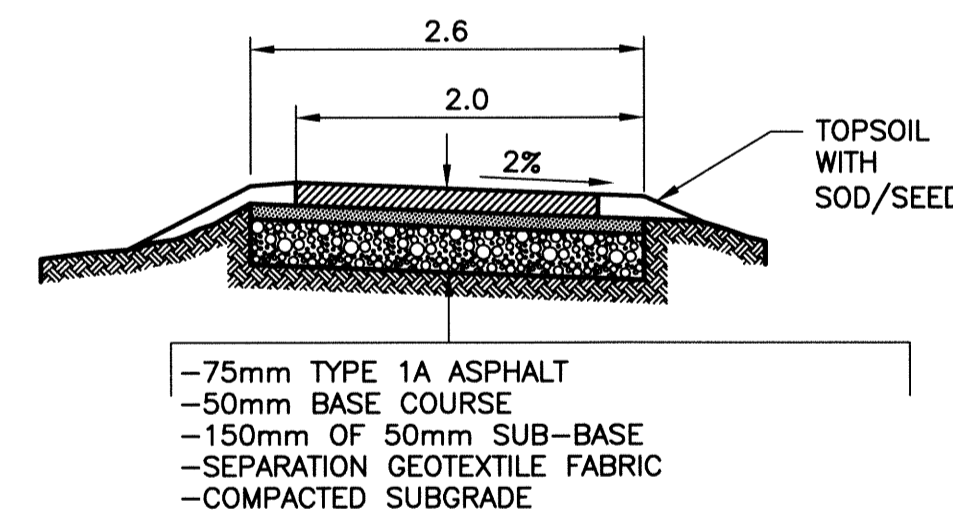
- CONSTRUCTION NOTES:**
1. ALL WORK AND MATERIALS TO BE IN ACCORDANCE WITH THE LATEST REVISIONS OF THE CITY OF WINNIPEG STANDARD CONSTRUCTION SPECIFICATIONS.
  2. CONTRACTOR TO VERIFY DEPTH OF UTILITIES PRIOR TO CONSTRUCTION.
  3. LOCATION OF UNDERGROUND STRUCTURES AS SHOWN ARE BASED ON THE BEST INFORMATION AVAILABLE, BUT NO GUARANTEE IS GIVEN THAT ALL EXISTING UTILITIES ARE SHOWN OR THAT GIVEN LOCATIONS ARE EXACT. CONFIRMATION OF EXISTENCE AND EXACT LOCATION OF ALL SERVICES MUST BE OBTAINED FROM THE INDIVIDUAL UTILITIES BEFORE PROCEEDING WITH CONSTRUCTION.
  4. THE CONTRACTOR IS RESPONSIBLE FOR COSTS ACQUIRED BY HYDRO SAFETY WATCH.
  5. EXCAVATED MATERIAL TO BE USED AS BACKFILL WHERE REQUIRED.
  6. ALL SURFACES TO BE MAINTAINED OR RESTORED TO PREVIOUS CONDITION OR BETTER.
  7. METRIC-WHOLE NUMBERS INDICATE MILLIMETERS. DECIMALIZED NUMBERS INDICATE METRES.
  8. DELINEATION OF PROPERTY LIMITS AS SHOWN ON THIS DRAWING DOES NOT REPRESENT A LEGAL SURVEY.
  9. LANDSCAPING TO BE TOP SOIL AND SEED, STRIP OF SOD TO BE PLACED ON BOTH SIDES OF AND NEWLY CONSTRUCTED CONCRETE OR ASPHALT PATH.



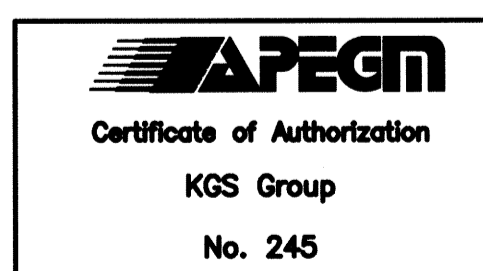
TYPICAL PATH SECTION  
SCALE: NTS



TYPICAL PATH SECTION ON RAIL BALLAST  
SCALE: NTS



TYPICAL PEDESTRIAN CONNECTION  
SCALE: NTS



P:\Projects\2012\12-0107-012\DocControl\12-0107-012-03-Rev 1.dwg - Tab: 003 Plotted By: DBoerche 09/20/2012 [Thu 11:23am] COWLEGGEND

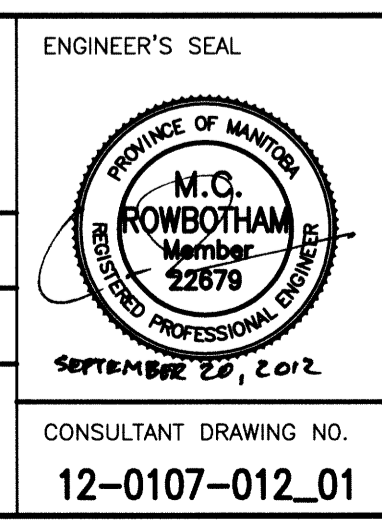
300 LBS	LAND DRAINAGE SEWER	300 LBS	TEST HOLE				
250 WWS	WASTE WATER SEWER	250 WWS	GUY WIRE				
	GAS		LIGHT STANDARD				
	HYDRO		BACK OF CURB				
	M.T.S.		CONCRETE				
150 WM	WATERMAIN	150 WM	ASPHALT				
	HYDRANT		SIDEWALK				
	VALVE		PROPERTY LINE				
	MANHOLE		SURVEY BAR				
	CATCH BASIN		GEODETIC BENCHMARK				
	CURB INLET		ELEVATION				
	POLES						
EXISTING	LEGEND-PLAN	PROPOSED	EXISTING	LEGEND-PLAN	PROPOSED	EXISTING	LEGEND-PROFILE

LOCATION APPROVED UNDERGROUND STRUCTURES

NOTE: LOCATION OF UNDERGROUND STRUCTURES AS SHOWN ARE BASED ON THE BEST INFORMATION AVAILABLE BUT NO GUARANTEE IS GIVEN THAT ALL EXISTING UTILITIES ARE SHOWN OR THAT THE GIVEN LOCATIONS ARE EXACT. CONFIRMATION OF EXISTENCE AND EXACT LOCATION OF ALL SERVICES MUST BE OBTAINED FROM THE INDIVIDUAL UTILITIES BEFORE PROCEEDING WITH CONSTRUCTION.

B.M.	GBM 27-015		
ELEV.	230.527		
NO.	REVISIONS	DATE	BY
1	REISSUED FOR TENDER	12/09/20	CR
0	ISSUED FOR TENDER	12/09/12	CR

<b>KGS GROUP</b> CONSULTING ENGINEERS	
DESIGNED BY	MK
CHECKED BY	CR
DRAWN BY	DMW
APPROVED BY	RJH
HOR. SCALE:	1:500
VERTICAL:	-
DATE	12/08/21



**THE CITY OF WINNIPEG**  
PUBLIC WORKS DEPARTMENT  
ENGINEERING DIVISION

PROJECT TITLE: NORTHEAST PIONEERS GREENWAY MULTI-USE PATH AND ASSOCIATED WORKS  
GATEWAY ROAD STA. 10+50 TO STA. 13+00  
PLAN AND DETAILS

CONSULTANT DRAWING NO. 12-0107-012\_01

SHEET 03 OF 03  
COMPUTER FILE NAME 12-0107-012  
CITY DRAWING NUMBER 03