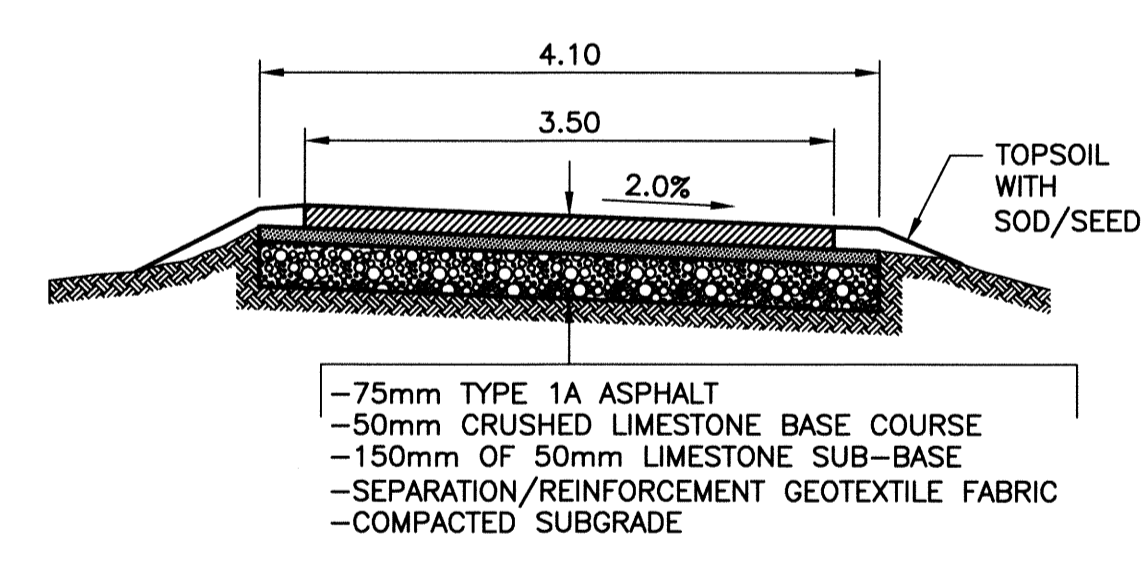
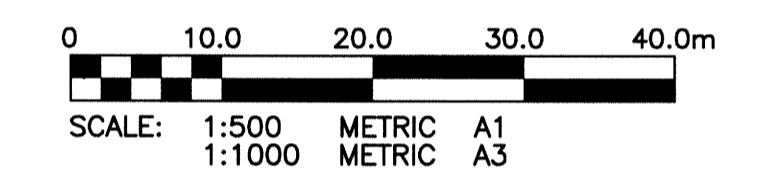
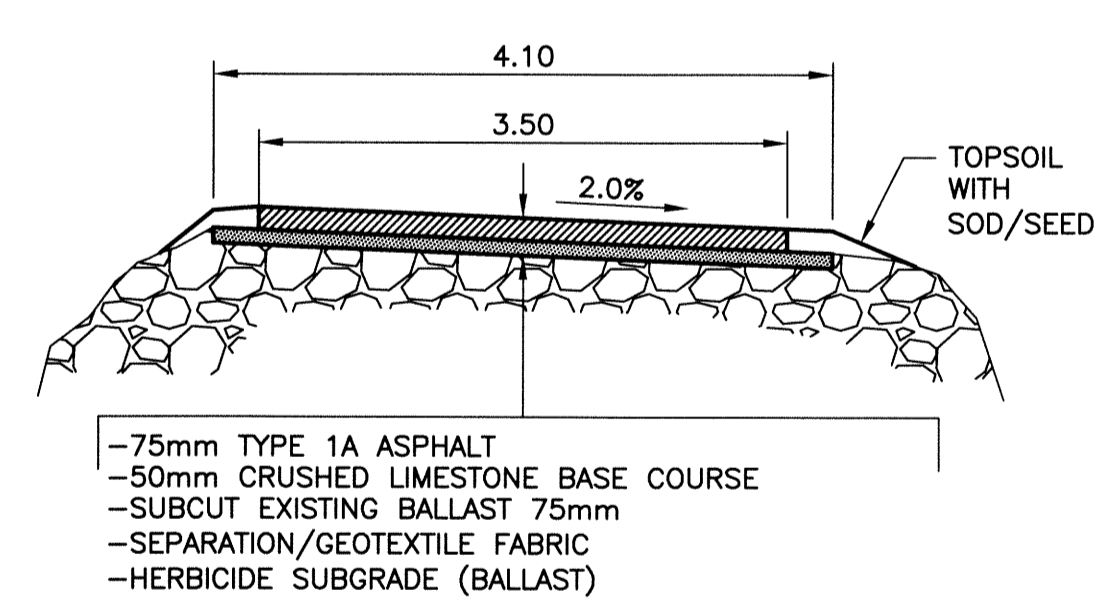


PLAN-GATEWAY ROAD STA. 10+50 TO STA. 13+00
SCALE: 1:500

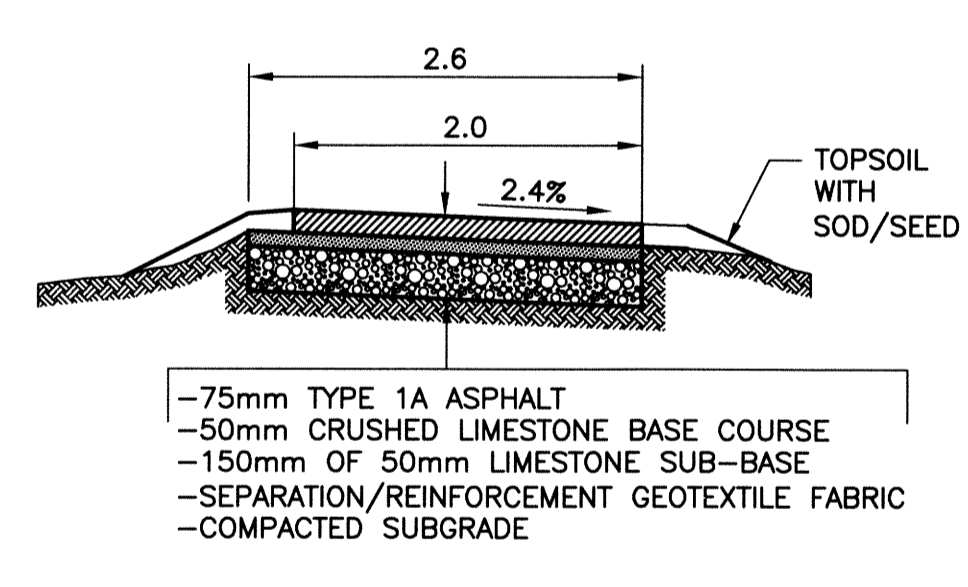
- CONSTRUCTION NOTES:**
1. ALL WORK AND MATERIALS TO BE IN ACCORDANCE WITH THE LATEST REVISIONS OF THE CITY OF WINNIPEG STANDARD CONSTRUCTION SPECIFICATIONS.
 2. CONTRACTOR TO VERIFY DEPTH OF UTILITIES PRIOR TO CONSTRUCTION.
 3. LOCATION OF UNDERGROUND STRUCTURES AS SHOWN ARE BASED ON THE BEST INFORMATION AVAILABLE, BUT NO GUARANTEE IS GIVEN THAT ALL EXISTING UTILITIES ARE SHOWN OR THAT GIVEN LOCATIONS ARE EXACT. CONFIRMATION OF EXISTENCE AND EXACT LOCATION OF ALL SERVICES MUST BE OBTAINED FROM THE INDIVIDUAL UTILITIES BEFORE PROCEEDING WITH CONSTRUCTION.
 4. THE CONTRACTOR IS RESPONSIBLE FOR COSTS ACQUIRED BY HYDRO SAFETY WATCH.
 5. EXCAVATED MATERIAL TO BE USED AS BACKFILL WHERE REQUIRED.
 6. ALL SURFACES TO BE MAINTAINED OR RESTORED TO PREVIOUS CONDITION OR BETTER.
 7. METRIC-WHOLE NUMBERS INDICATE MILLIMETERS. DECIMALIZED NUMBERS INDICATE METRES.
 8. DELINEATION OF PROPERTY LIMITS AS SHOWN ON THIS DRAWING DOES NOT REPRESENT A LEGAL SURVEY. LANDSCAPING TO BE TOP SOIL AND SEED. STRIP OF SOD TO BE PLACED ON BOTH SIDES OF AND NEWLY CONSTRUCTED CONCRETE OR ASPHALT PATH.



TYPICAL PATH SECTION
SCALE: NTS



TYPICAL PATH SECTION ON RAIL BALLAST
SCALE: NTS



TYPICAL PEDESTRIAN CONNECTION
SCALE: NTS

P:\Projects\2012\12-0107-012\DocControl\Tables\DWG\12-0107-012-03-Rev 0.dwg - Tab: C03 Plotted By: DBaroche 09/12/2012 [Wed 3:16pm]
 COWLEND

300_LDS	LAND DRAINAGE SEWER	300_LDS							
250_WWS	WASTE WATER SEWER	250_WWS	+	TEST HOLE					
			-	GUY WIRE					
			---	LIGHT STANDARD					
			---	BACK OF CURB					
150_WM	WATERMAIN	150_WM	---	CONCRETE					
	HYDRANT		+	ASPHALT					
	VALVE		+	SIDEWALK					
	MANHOLE		+	PROPERTY LINE					
	CATCH BASIN		+	SURVEY BAR					
	CURB INLET		+	GEODETIC BENCHMARK					
	POLES		+	ELEVATION					
			231.334						
EXISTING	LEGEND-PLAN	PROPOSED	EXISTING	LEGEND-PLAN	PROPOSED	EXISTING	LEGEND-PROFILE	PROPOSED	

LOCATION APPROVED
UNDERGROUND STRUCTURES

SUPV. U/G STRUCTURES COMMITTEE DATE

NOTE:
LOCATION OF UNDERGROUND STRUCTURES AS SHOWN ARE BASED ON THE BEST INFORMATION AVAILABLE, BUT NO GUARANTEE IS GIVEN THAT ALL EXISTING UTILITIES ARE SHOWN OR THAT THE GIVEN LOCATIONS ARE EXACT. CONFIRMATION OF EXISTENCE AND EXACT LOCATION OF ALL SERVICES MUST BE OBTAINED FROM THE INDIVIDUAL UTILITIES BEFORE PROCEEDING WITH CONSTRUCTION.

B.M. ELEV.	GBM 27-015		
	230.527		
NO.	ISSUED FOR TENDER	12/09/12	CR
	REVISIONS	DATE	BY
		12/08/21	

KGS GROUP
CONSULTING ENGINEERS

DESIGNED BY: MK
CHECKED BY: CR

DRAWN BY: DMW
APPROVED BY: RJH

HOR. SCALE: 1:500
VERTICAL: .

RELEASED FOR CONSTRUCTION: DATE 12/08/21

ENGINEER'S SEAL

CONSULTANT DRAWING NO. 12-0107-012_01

THE CITY OF WINNIPEG
PUBLIC WORKS DEPARTMENT
TRANSPORTATION ENGINEERING DIVISION

PROJECT TITLE: NORTHEAST PIONEERS GREENWAY MULTI-USE PATH AND ASSOCIATED WORKS
GATEWAY ROAD STA. 10+50 TO STA. 13+00

SHEET OF 03 03
COMPUTER FILE NAME: 12-0107-012
CITY DRAWING NUMBER: 03

PLAN AND DETAILS