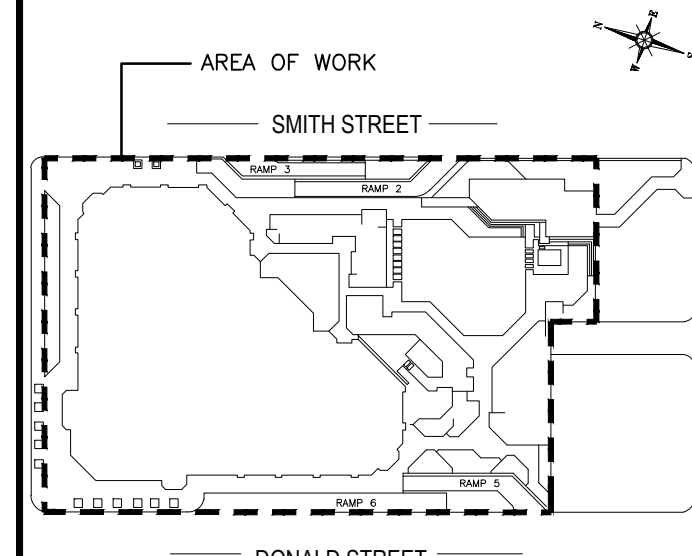
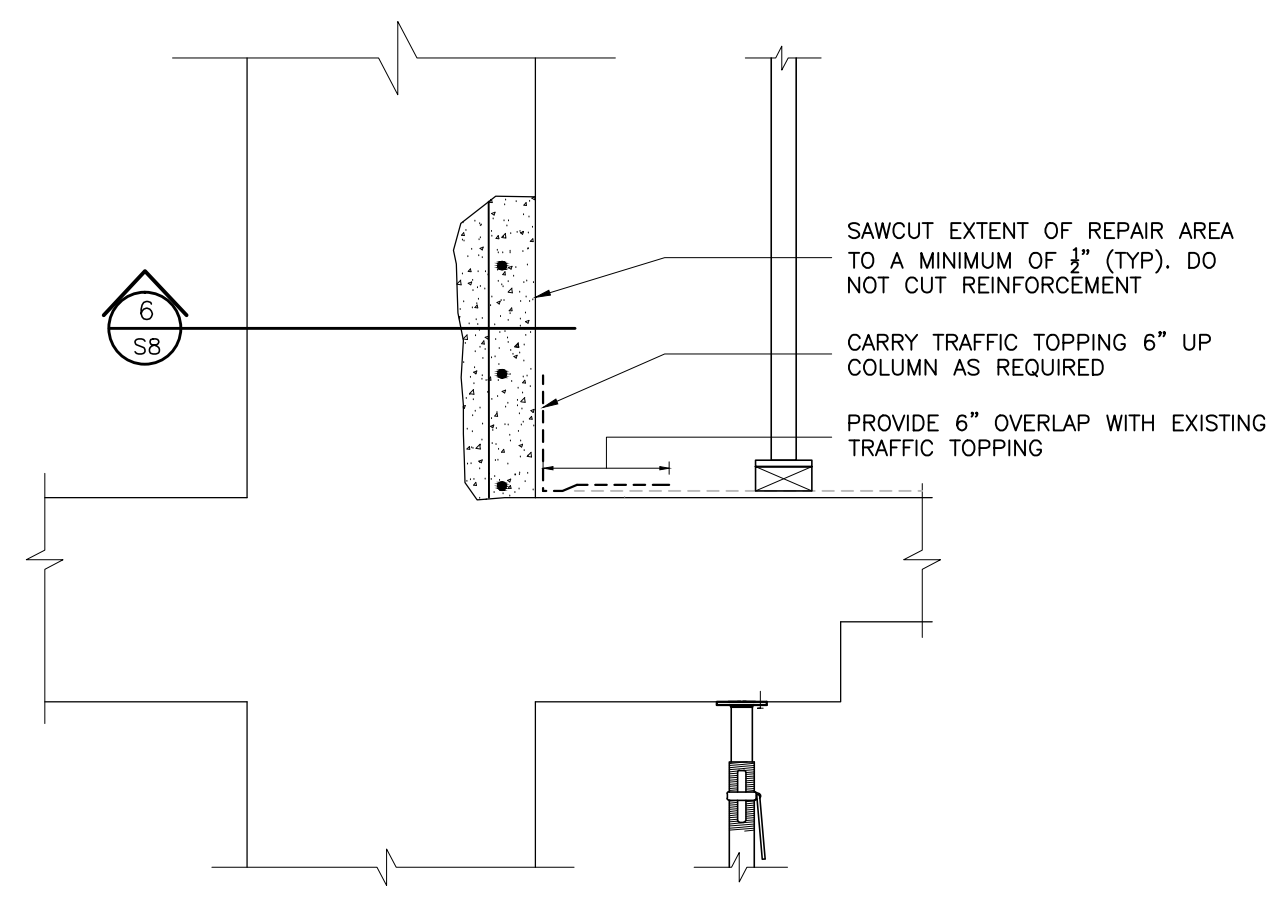


NO.	REVISION	DATE
1	ISSUED FOR COORDINATION	JULY 3, 2012
2	ISSUED FOR 66% REVIEW	SEPT 6, 2012
3	ISSUED FOR BID	NOV 7, 2012
4		
5		
6		
7		

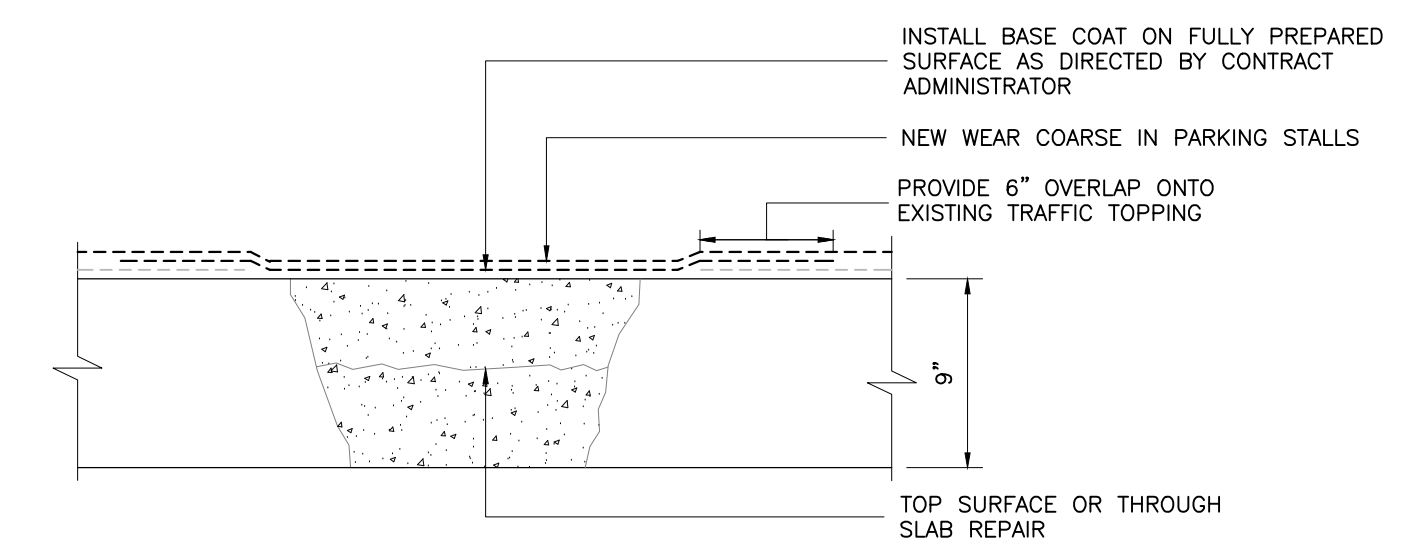
NOTES:
 CONTRACTOR SHALL CHECK AND VERIFY ALL DIMENSIONS AND BE RESPONSIBLE FOR REPORTING ALL DISCREPANCIES TO CITY AND/OR CONTRACT ADMINISTRATOR PRIOR TO BID CLOSING
 LATEST APPROVED DRAWINGS ONLY TO BE USED FOR CONSTRUCTION.
 PRINTS ARE NOT TO BE SCALED.

KEY PLAN:


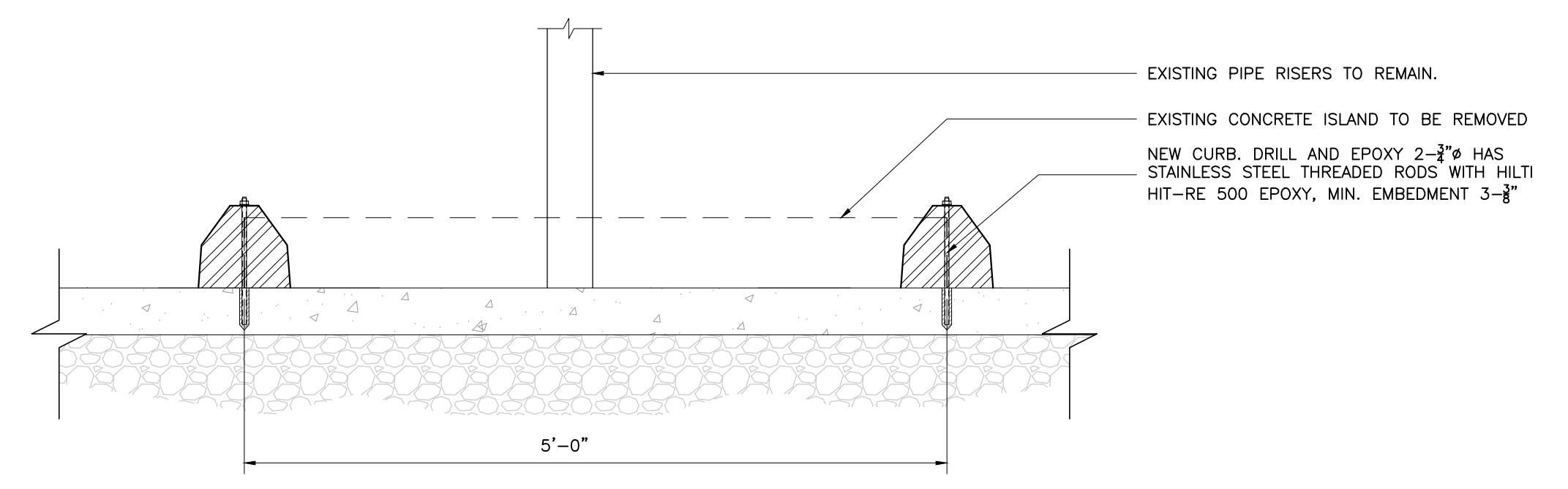


1 TYPICAL LEVEL P1 COLUMN BASE REPAIR
 SCALE: 1"=1'-0"

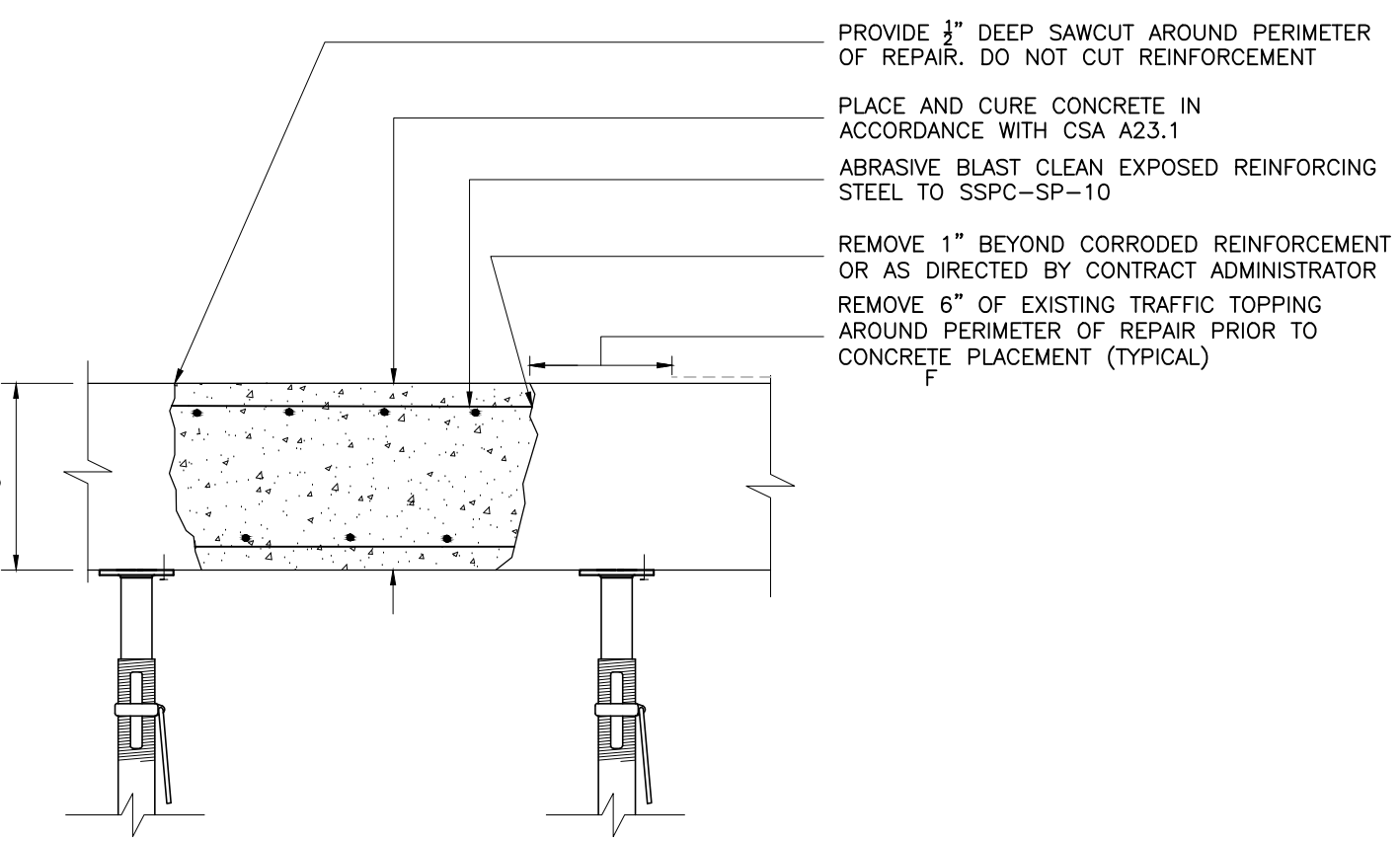
NOTE: CONTRACTOR TO PROVIDE SHORING. SHORING MUST BE DESIGNED BY AN ENGINEER LICENSED IN THE PROVINCE OF MANITOBA. SUBMIT SHORING DESIGN TO CONTRACT ADMINISTRATOR FOR APPROVAL PRIOR TO INSTALLATION.



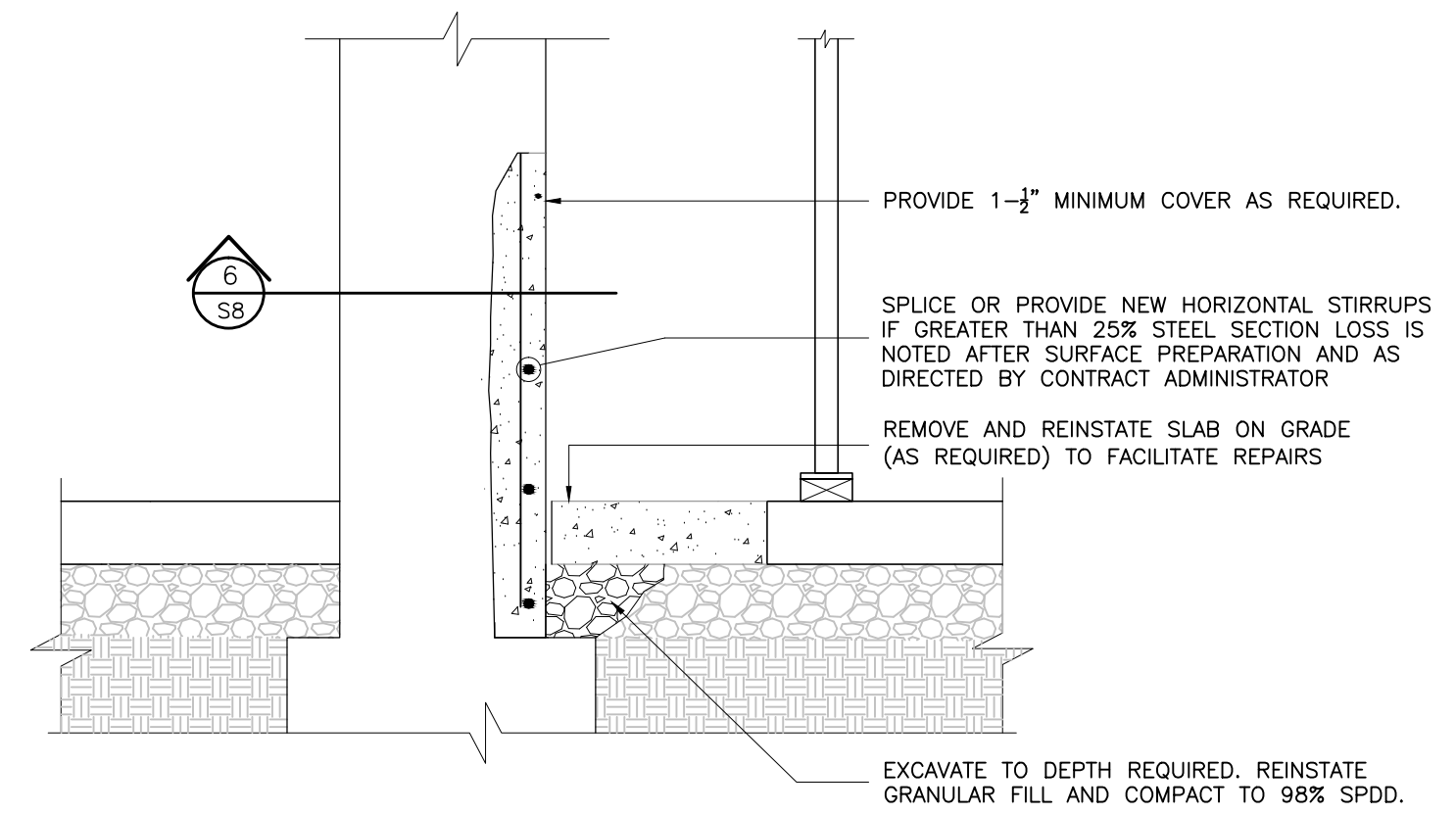
4 TYPICAL BASE COAT REPAIR IN PARKING STALLS
 SCALE: 1-1/2"=1'-0"



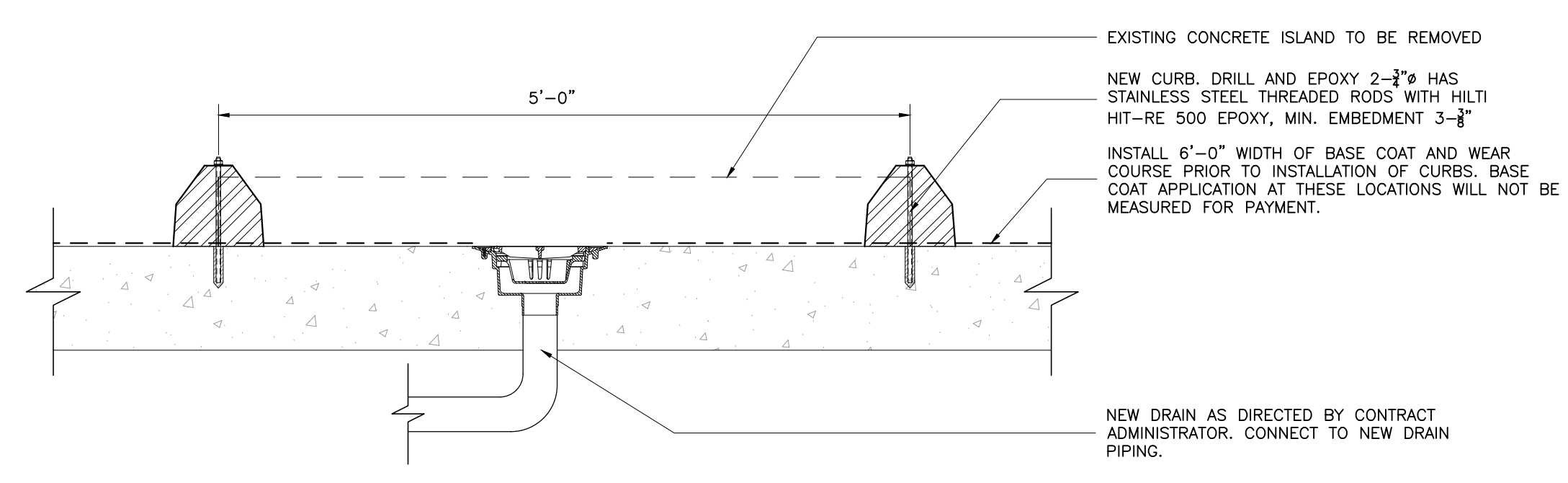
7 NEW PEDESTRIAN WALKWAY - LEVEL P2
 SCALE: 1"=1'-0"



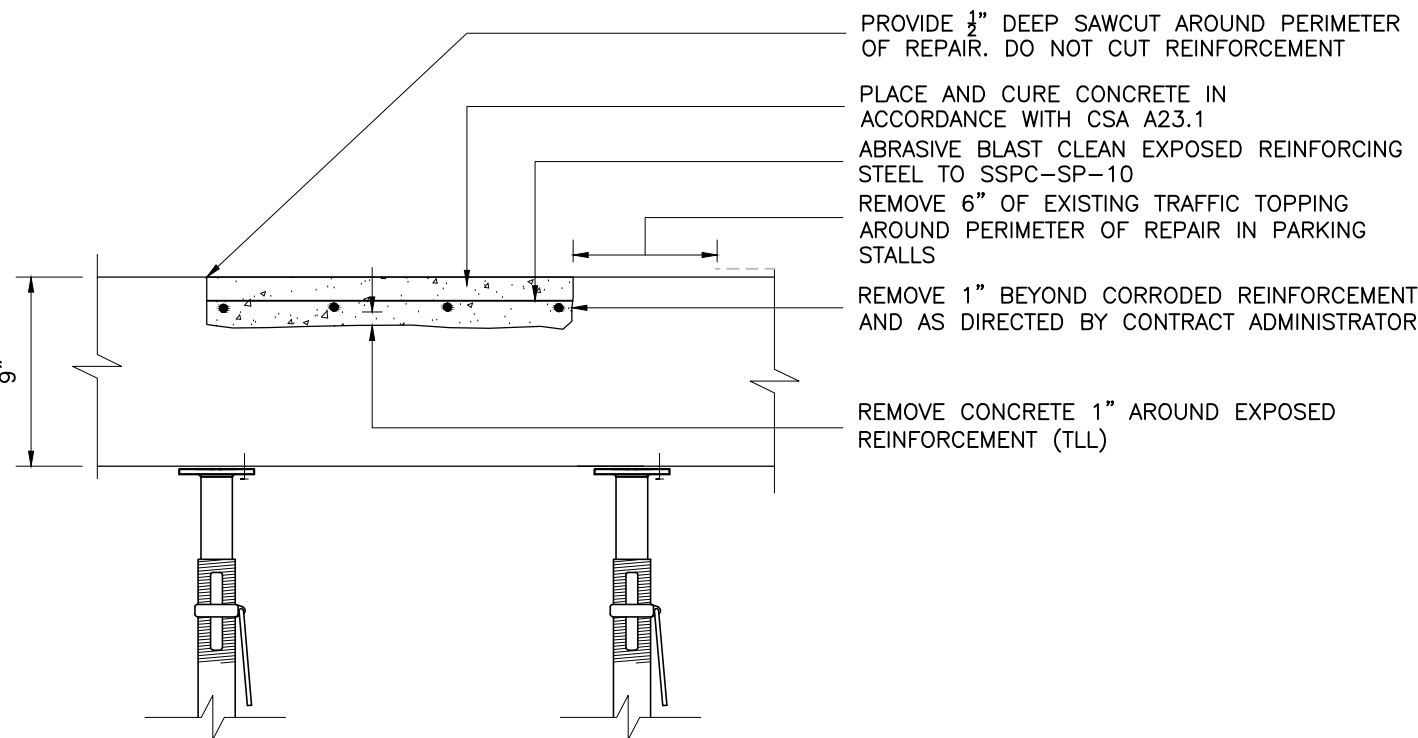
2 TYPICAL THROUGH SLAB REPAIR
 SCALE: 1-1/2"=1'-0"



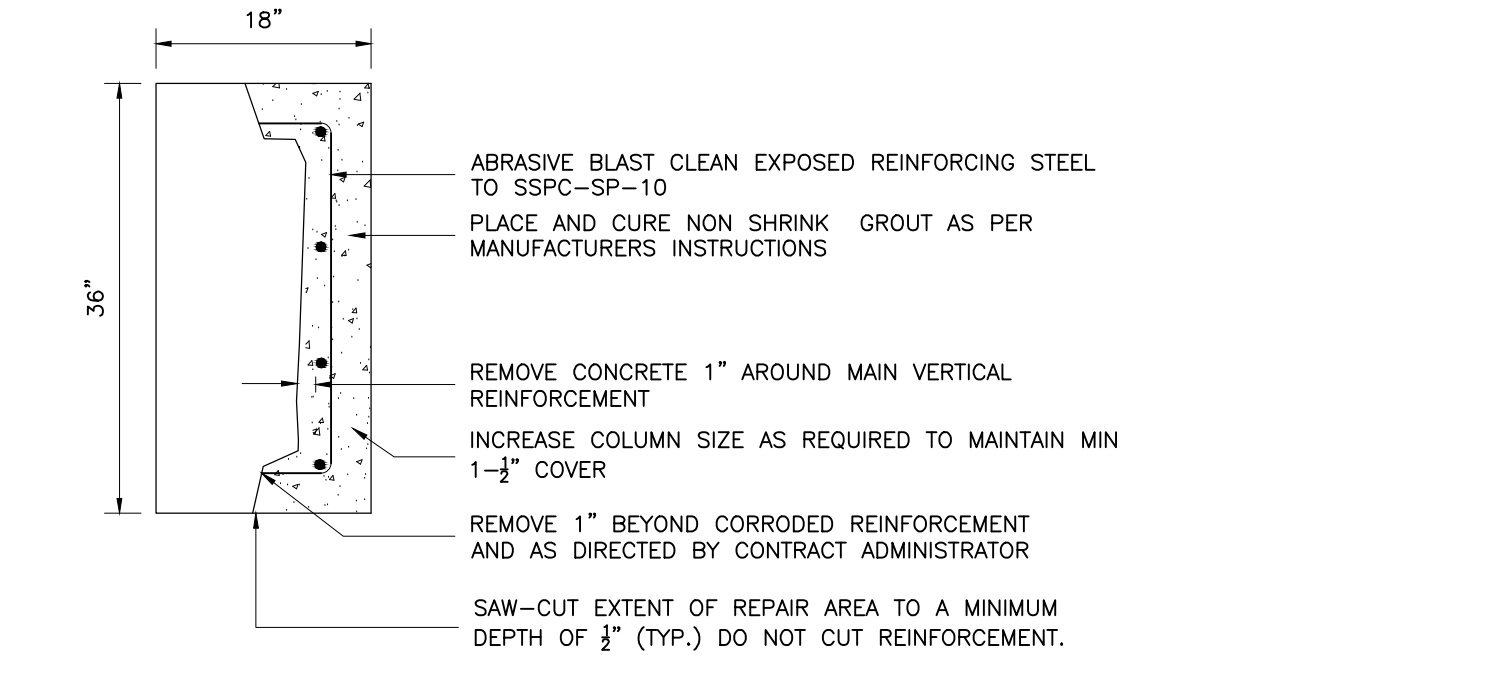
5 TYPICAL LEVEL P2 CONCRETE BASE REPAIR
 SCALE: 3/4"=1'-0"



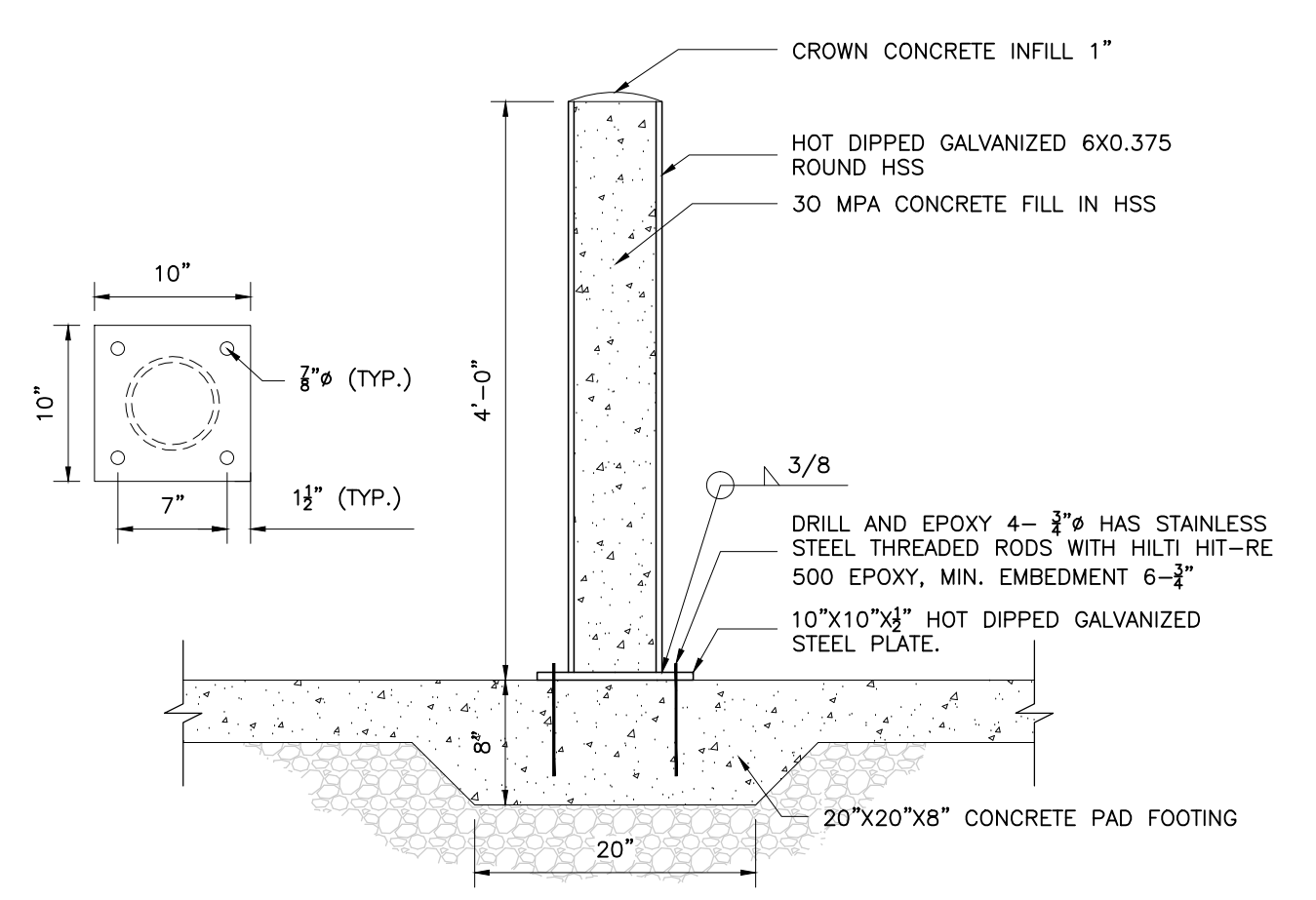
8 NEW PEDESTRIAN WALKWAY - LEVEL P1
 SCALE: 1"=1'-0"



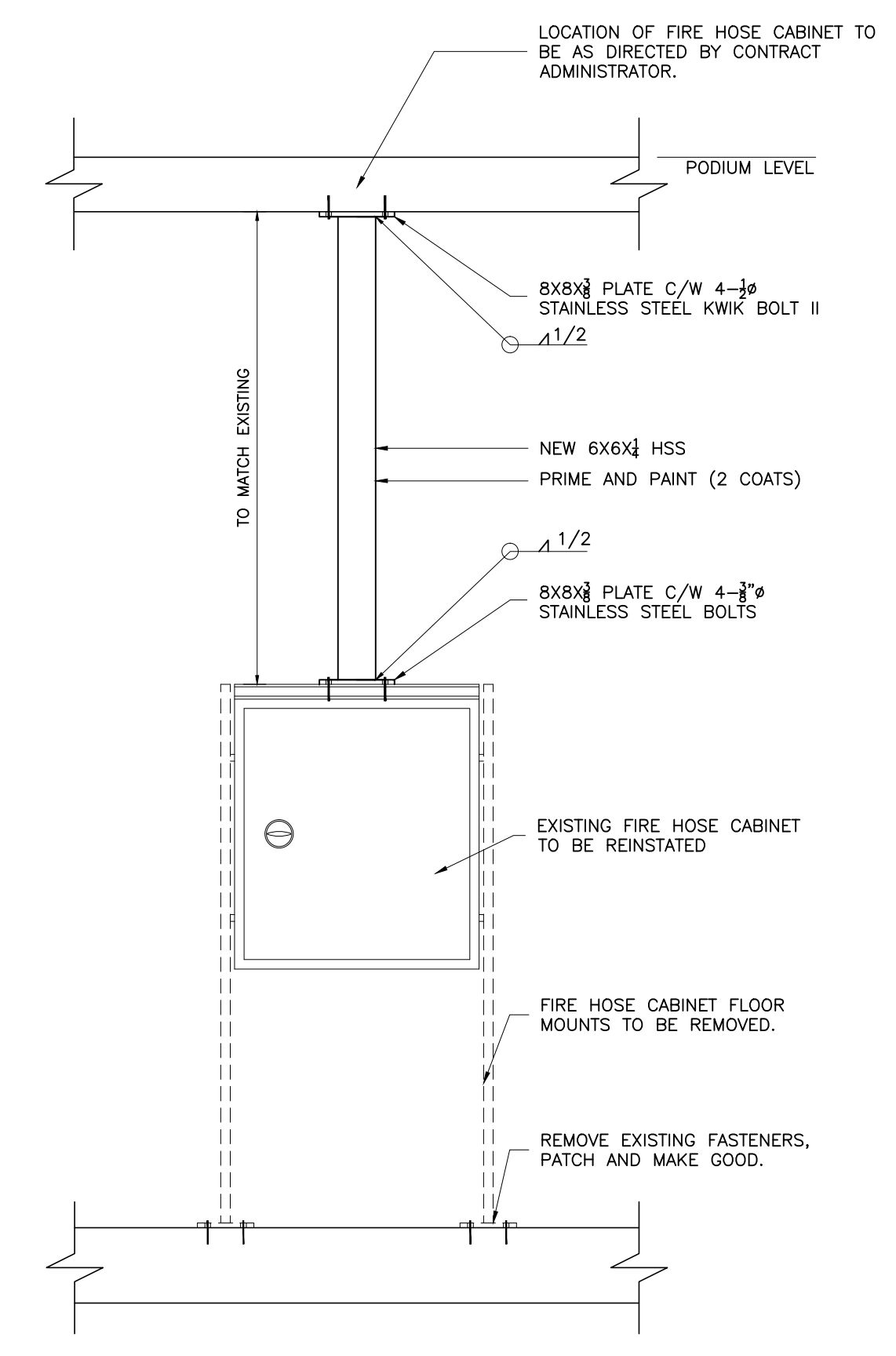
3 TYPICAL TOP SURFACE REPAIR
 SCALE: 1-1/2"=1'-0"



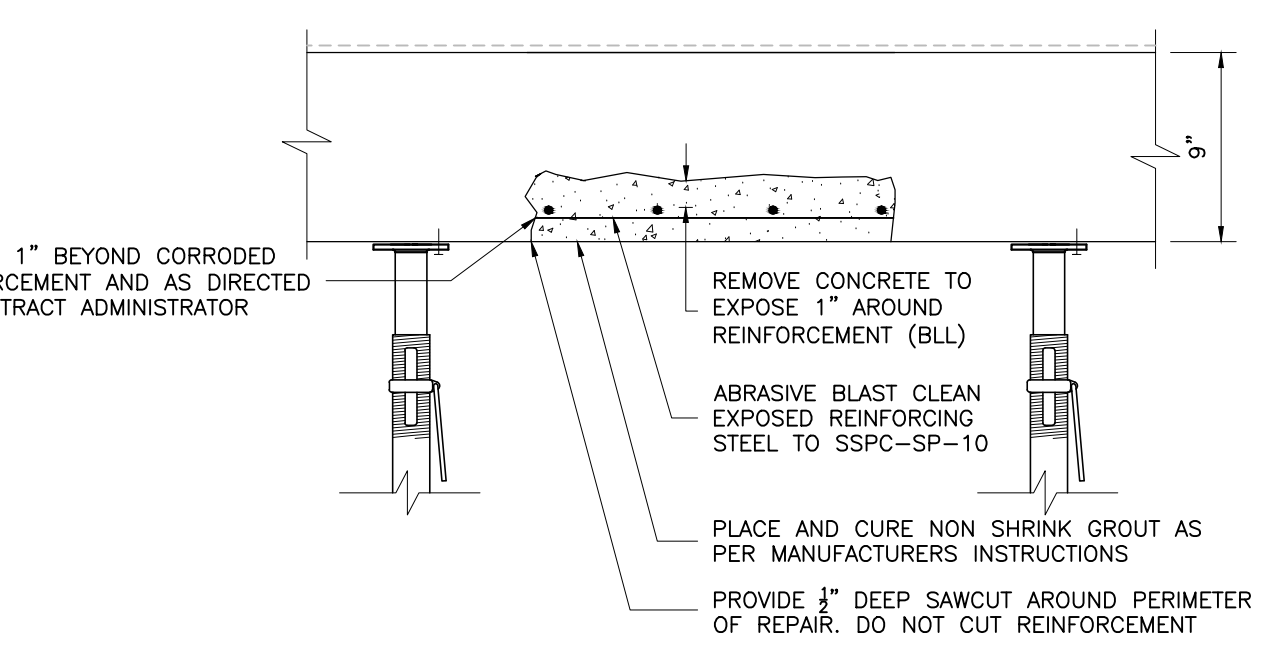
6 TYPICAL CONCRETE COLUMN REPAIR (PLAN DETAIL)
 SCALE: 1-1/2"=1'-0"



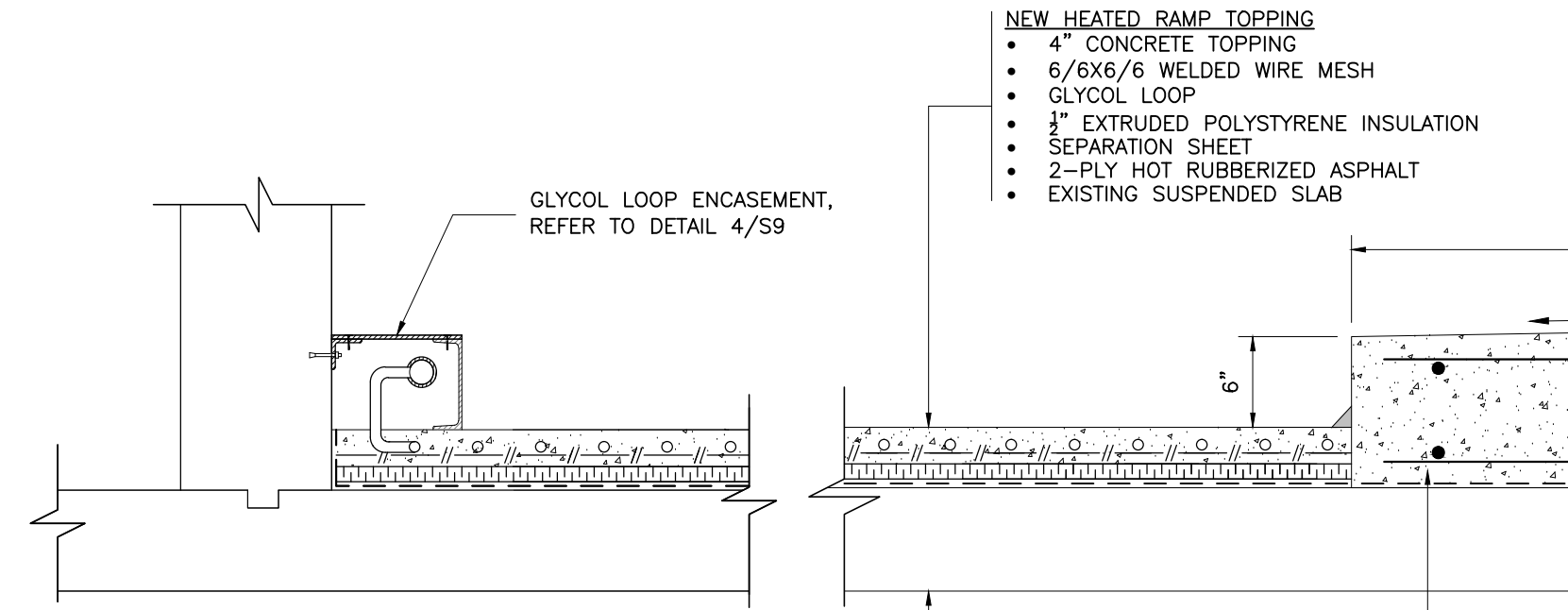
9 TYPICAL BOLLARD DETAIL (OPTIONAL)
 SCALE: 1"=1'-0"



11 FIRE CABINET DETAIL (TYP.)
 SCALE: 3/4"=1'-0"



12 TYPICAL SOFFIT REPAIR FOR RAMPS 1, 5, AND 6
 SCALE: 1-1/2"=1'-0"



10 CONCRETE CURB SECTION
 SCALE: 1"=1'-0"

CONCENTRIC
 ASSOCIATES INTERNATIONAL INCORPORATED

LONDON Tel. 1-519-452-7700 Toll Free 1-866-919-4531	OTTAWA Tel. 1-613-824-8900 Toll Free 1-866-919-4530
IQALUIT Tel. 1-867-979-3300 Toll Free 1-866-919-4533	SASKATOON Tel. 1-306-343-5500 Toll Free 1-866-919-8899
REGINA Tel. 1-306-520-6100 Toll Free 1-866-919-1861	WINNIPEG Tel. 1-204-783-1276 Toll Free 1-866-919-4531

YOU CHALLENGE US... TOGETHER WE SUCCEED
 www.concentriceng.com

CLIENT NAME:
 CITY OF WINNIPEG

PROJECT ADDRESS:
 251 DONALD STREET
 WINNIPEG, MANITOBA

PROJECT NAME:
 REHAB OF MILLENNIUM LIBRARY PARKADE

DRAWING TITLE:
 SECTIONS

DESIGN: PSM
 DRAWN: JAW
 APP'VD: PSM/ADM

SCALE: AS SHOWN
 DATE: OCT/12
 FILE NO: 11-4145