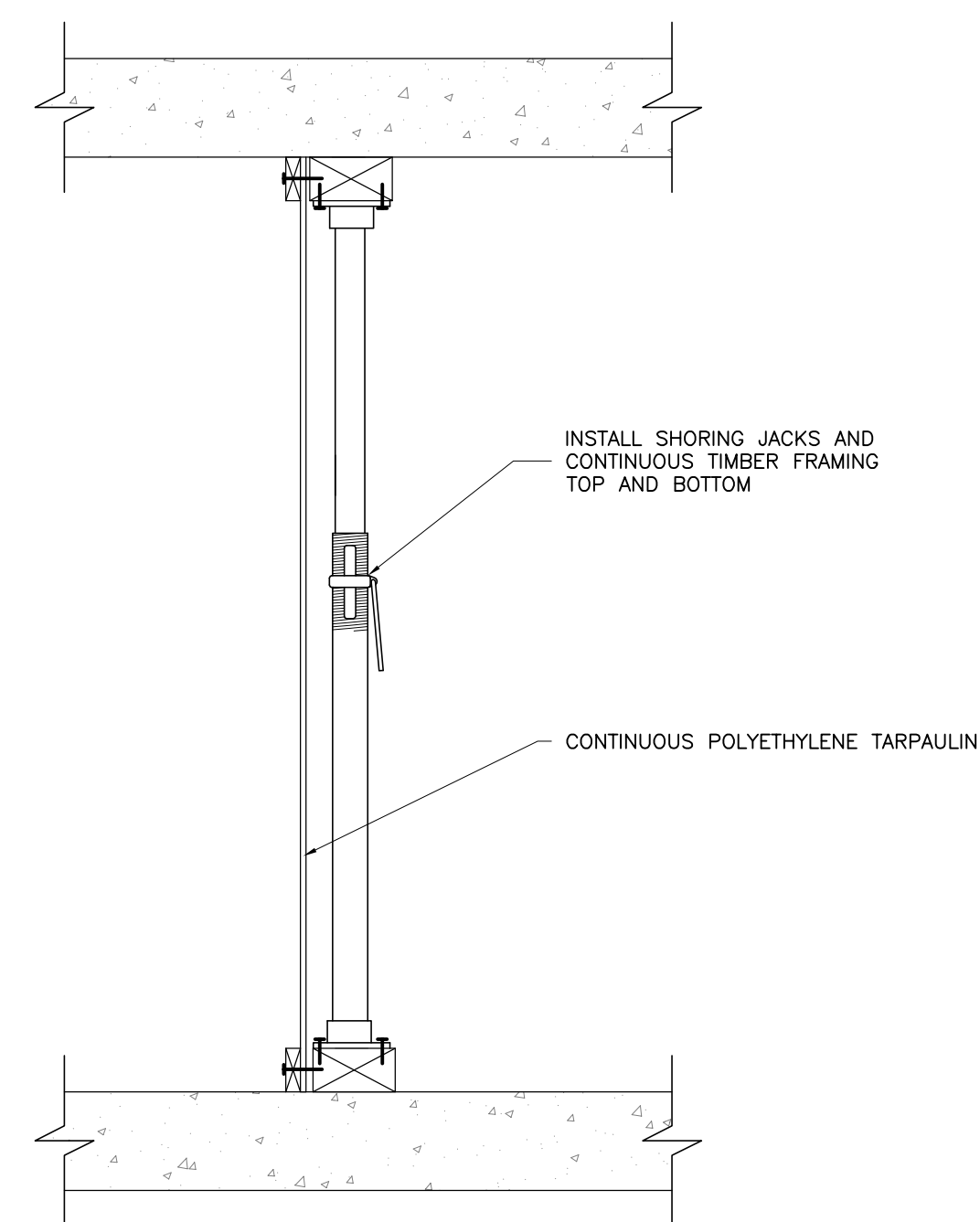
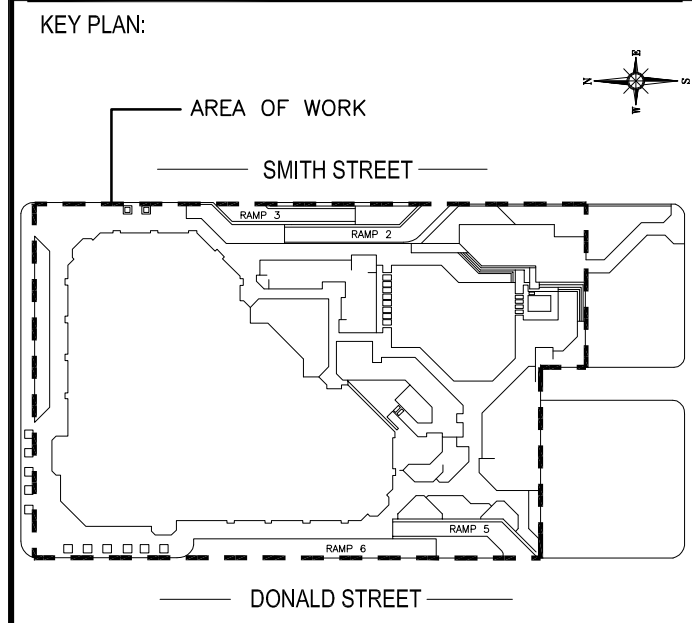
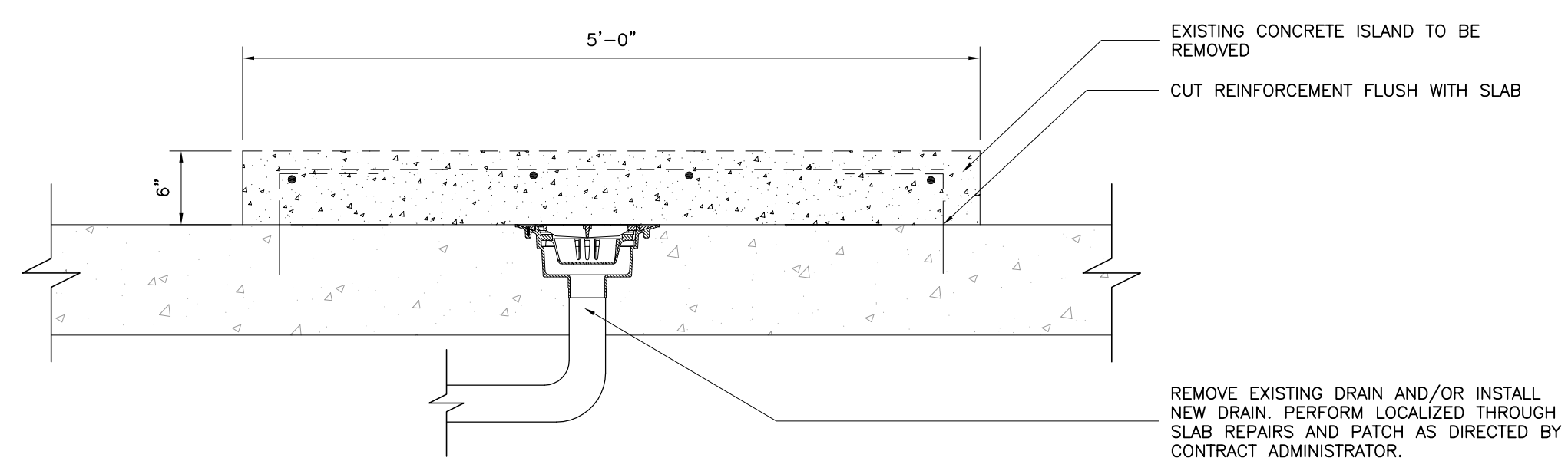


NO.	REVISION	DATE
1	ISSUED FOR COORDINATION	JULY 3, 2012
2	ISSUED FOR 66% REVIEW	SEPT 6, 2012
3	ISSUED FOR BID	NOV 7, 2012
4		
5		
6		
7		

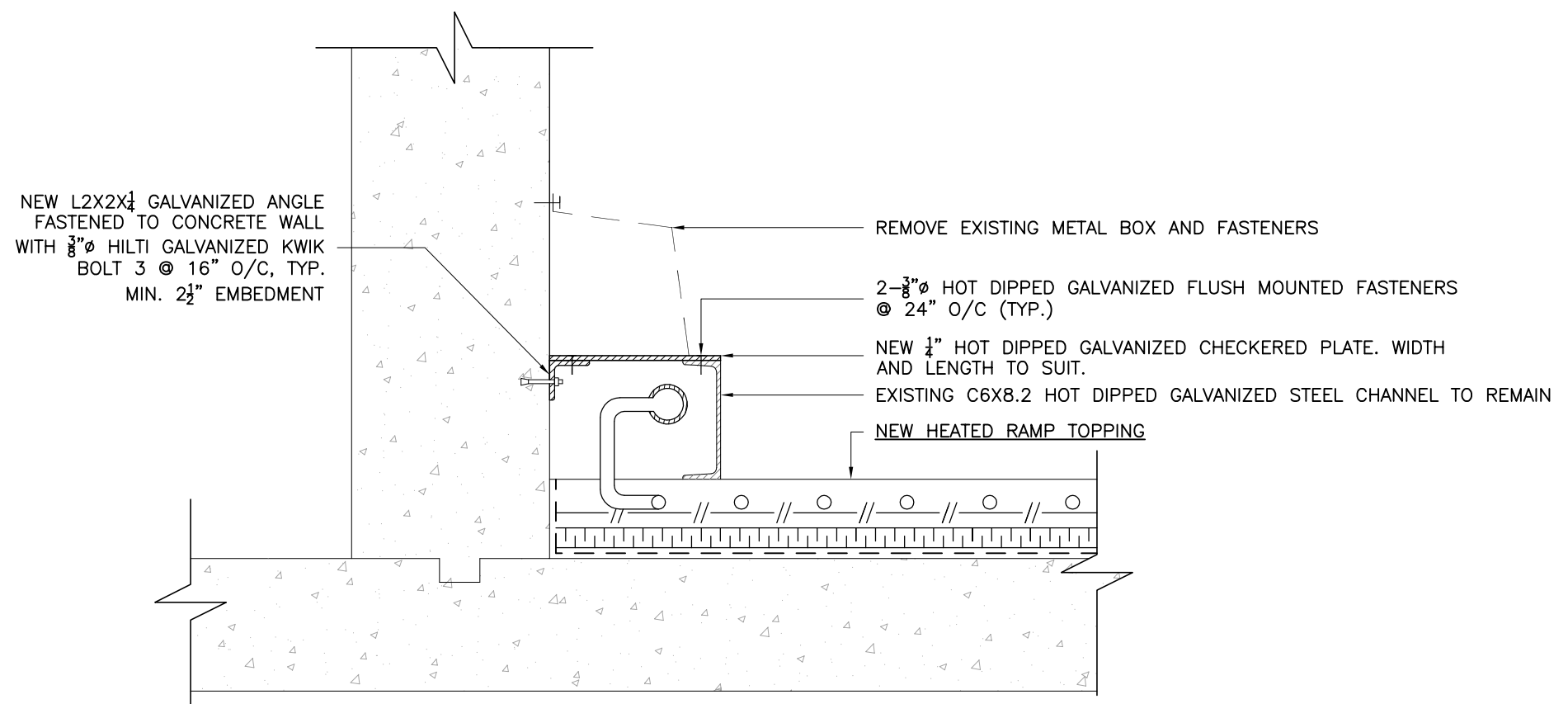
NOTES:
 CONTRACTOR SHALL CHECK AND VERIFY ALL DIMENSIONS AND BE RESPONSIBLE FOR REPORTING ALL DISCREPANCIES TO CITY AND/OR CONTRACT ADMINISTRATOR PRIOR TO BID CLOSING
 LATEST APPROVED DRAWINGS ONLY TO BE USED FOR CONSTRUCTION.
 PRINTS ARE NOT TO BE SCALED.



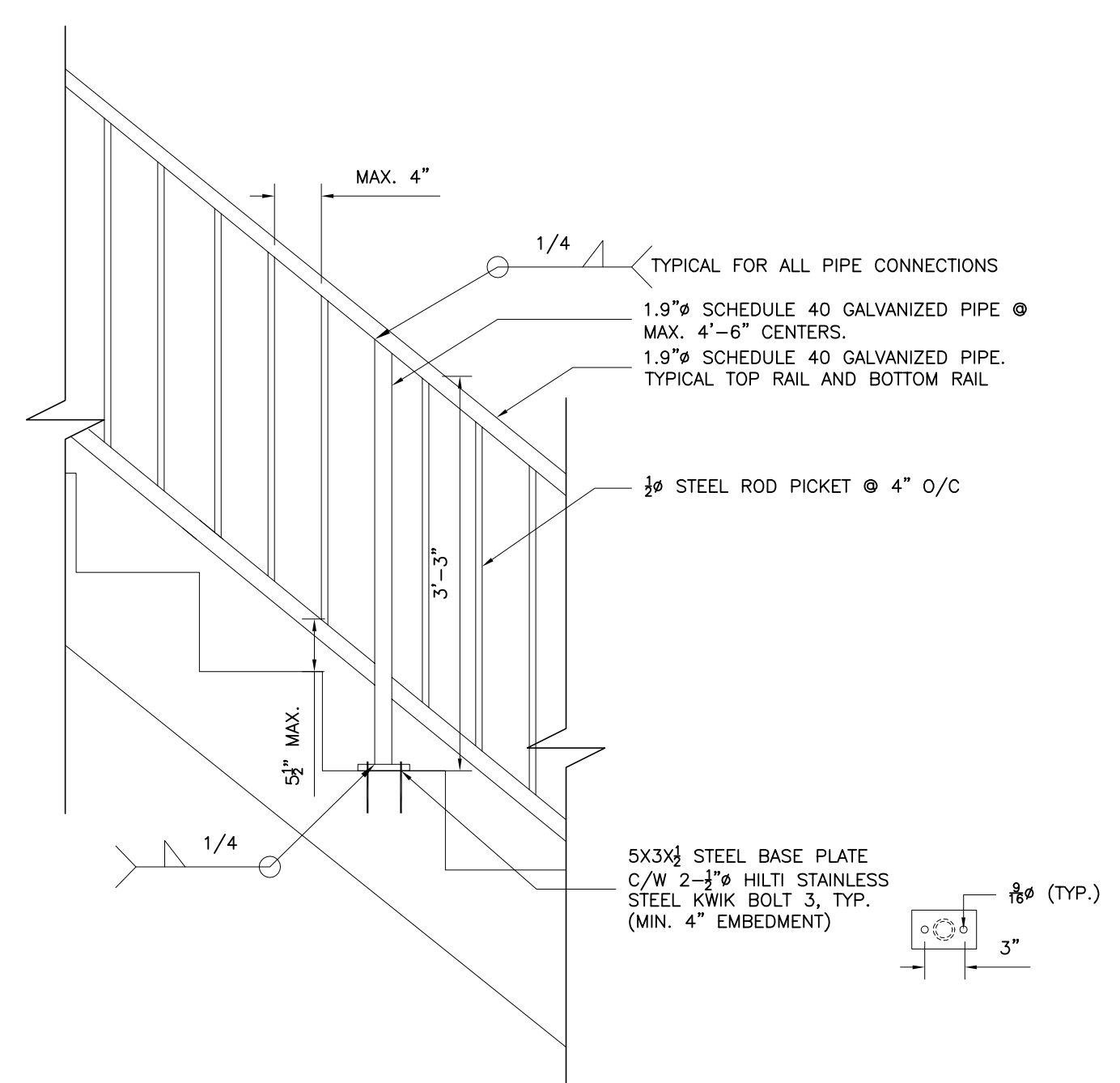
1
S9
TYPICAL HOARDING DETAIL
SCALE: 3/4"=1'-0"



2
S9
TYPICAL CONCRETE ISLAND SECTION
SCALE: 3/4"=1'-0"



4
S9
GLYCOL LOOP ENCASEMENT DETAIL
SCALE: 3/4"=1'-0"



3
S9
RAILING DETAIL
SCALE: 3/4"=1'-0"

CONCENTRIC
 ASSOCIATES INTERNATIONAL
 INCORPORATED

LONDON Tel. 1-519-452-7700 Toll Free 1-866-919-4531	OTTAWA Tel. 1-613-824-8900 Toll Free 1-866-919-4530
IQALUIT Tel. 1-867-979-3300 Toll Free 1-866-919-4533	SASKATOON Tel. 1-306-343-5500 Toll Free 1-866-919-8899
REGINA Tel. 1-306-520-6100 Toll Free 1-866-919-1861	WINNIPEG Tel. 1-204-783-1276 Toll Free 1-866-919-4531

YOU CHALLENGE US... TOGETHER WE SUCCEED
 www.concentriceng.com

CLIENT NAME:
 CITY OF WINNIPEG

PROJECT ADDRESS:
 251 DONALD STREET
 WINNIPEG, MANITOBA

PROJECT NAME:
 REHAB OF MILLENNIUM LIBRARY PARKADE

DRAWING TITLE:
 SECTIONS

DESIGN: PSM	SCALE: AS SHOWN
DRAWN: JAW	DATE: OCT/12
APPVD: PSM/ADM	FILE No: 11-4145

SHEET No.
S9