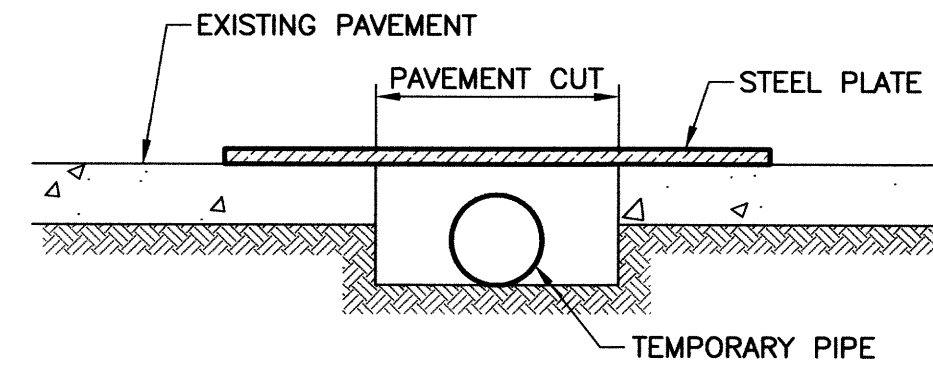


GENERAL PLAN
SCALE: 1:150



SECTION A - A
SCALE: N.T.S.

GENERAL NOTES:

1. ALL WORKS TO BE IN ACCORDANCE WITH THE LATEST REVISION OF THE CITY OF WINNIPEG STANDARD CONSTRUCTION SPECIFICATIONS.
2. CONTRACTOR SHALL PROVIDE TEMPORARY SHORING WHERE REQUIRED IN ACCORDANCE WITH THE LATEST REVISION OF THE "CONSTRUCTION SAFETY ACT" OF THE PROVINCE OF MANITOBA DEPARTMENT OF LABOR AND IN ACCORDANCE WITH THE PROVINCE OF MANITOBA "W210 WORKPLACE SAFETY & HEALTH ACT" AND "GUIDELINES FOR EXCAVATION WORK".
3. ALL ELEVATIONS SHOWN ON DRAWINGS TAKEN FROM CITY OF WINNIPEG RECORD DRAWINGS.
4. TEMPORARY LANE CLOSURES MUST BE COORDINATED WITH LORI GARET, P.ENG. AT THE CITY OF WINNIPEG (204-986-5900).

FORCEMAIN REPLACEMENT NOTES:

5. CONTRACTOR TO DRAIN SEWAGE FROM FORCEMAIN. CONTRACTOR MAY PUMP SEWAGE FROM PIPE IN EXCAVATION TO MH2. FORCEMAIN BEING REPAIRED IS BACK DRAINING TO PUMPING STATION.
6. CONTRACTOR TO PROTECT WATER SERVICE FROM FREEZING DURING CONSTRUCTION.
7. CONTRACTOR TO RESTORE SITE TO PRE-CONSTRUCTION CONDITIONS.
8. BACKFILL EXCAVATION WITH CEMENT STABILIZED FILL. PROVIDE SAND BEDDING AROUND WATER AND GAS SERVICES
9. CONTRACTOR TO PROVIDE TEMPORARY EMERGENCY BY-PASS FROM MH1 TO MH3 AS PER THE SPECIFICATIONS.
 - CRITICAL BASEMENT FLOODING EL. = 230.872
 - PEAK DRY WEATHER FLOW = 190 l/s (3011 USgpm)

P:\Projects\2012\12-0107-015\Doc\Control\Tobias\DWG\12-0107-015_C01-Rev 0.dwg - Tab: C01 Plotted By: Dberoché 11/02/2012 [Fr 10:16am]

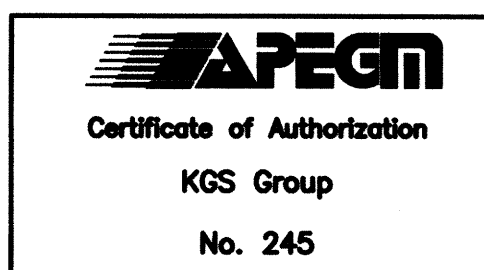
300 LDS	LAND DRAINAGE SEWER	300 LDS				
---	WASTE WATER SEWER	---	+	TEST HOLE		
---	GAS	---	-	GUY WIRE		
---	HYDRO	---	—	LIGHT STANDARD		
---	M.T.S.	---	---	BACK OF CURB		
---	WATERMAIN	---	---	CONCRETE		
+	HYDRANT	+	---	ASPHALT		
+	VALVE	+	---	SIDEWALK		
○	MANHOLE	○	---	PROPERTY LINE		
□	CATCH BASIN	□	+	SURVEY BAR		
▽	CURB INLET	▽	+	GEODETIC BENCHMARK		
•	POLES	•	+	ELEVATION	231.334	(32.231)
EXISTING	LEGEND-PLAN	PROPOSED	EXISTING	LEGEND-PLAN	PROPOSED	EXISTING

LOCATION APPROVED UNDERGROUND STRUCTURES

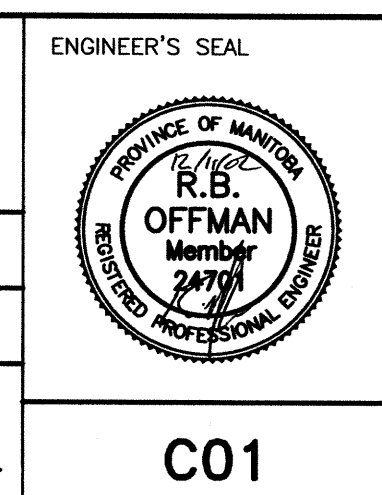
SUPV. U/G STRUCTURES COMMITTEE DATE

NOTE:
LOCATION OF UNDERGROUND STRUCTURES AS SHOWN ARE BASED ON THE BEST INFORMATION AVAILABLE BUT NO GUARANTEE IS GIVEN THAT ALL EXISTING UTILITIES ARE SHOWN OR THAT THE GIVEN LOCATIONS ARE EXACT. CONFIRMATION OF EXISTENCE AND EXACT LOCATION OF ALL SERVICES MUST BE OBTAINED FROM THE INDIVIDUAL UTILITIES BEFORE PROCEEDING WITH CONSTRUCTION.

B.M. 41-036 ELEV. 235.938	IN MEAN OF WESTWOOD DR. & MARY AC. SET. ON TOP OF 0.05m ² x 2.4m IRON PIPE, 4.7m E. OF & CONC. PWTY OF S. BOUND THEREOF LINE OF WESTWOOD DR. & 7.6m N. OF & CONC. PWTY OF MARY AC.		
0	ISSUED FOR TENDER	12/11/02	RBO
NO. REVISIONS	DATE	BY	DATE



DESIGNED BY	RBO	CHECKED BY	RJA
DRAWN BY	GEL	APPROVED BY	RJA
HOR. SCALE:	AS NOTED	RELEASED FOR CONSTRUCTION:	
VERTICAL:	N/A	DATE	12/10/26



THE CITY OF WINNIPEG
WATER AND WASTE DEPARTMENT

PROJECT TITLE
WESTWOOD WASTEWATER PUMPING STATION STANDBY ENGINE AND FORCEMAIN WALL INSERT REPLACEMENT FORCEMAIN REPLACEMENT PLAN

SHEET OF
CITY DRAWING NUMBER

- WARNING**
1. NOTIFY THE GAS COMPANY OF THE PROPOSED LOCATION OF EXCAVATION.
 2. TAKE PRECAUTION TO AVOID DAMAGE TO GAS COMPANY INSTALLATIONS.
 3. SEE PROVINCIAL REGULATION 210/72 FOR DETAILS.

PROPERTY LIMITS DELINEATION

DELINEATION OF PROPERTY LIMITS AS SHOWN ON THIS DWG DOES NOT REPRESENT A "LEGAL SURVEY". KGS GROUP MAKES NO REPRESENTATION OR WARRANTY AS TO THE ACCURACY OF PROPERTY LIMITS DELINEATED ON THIS DWG, NOR ON THE DIMENSIONAL ACCURACY OF DWG FEATURES RELATIVE TO THOSE PROPERTY LIMITS.

C01