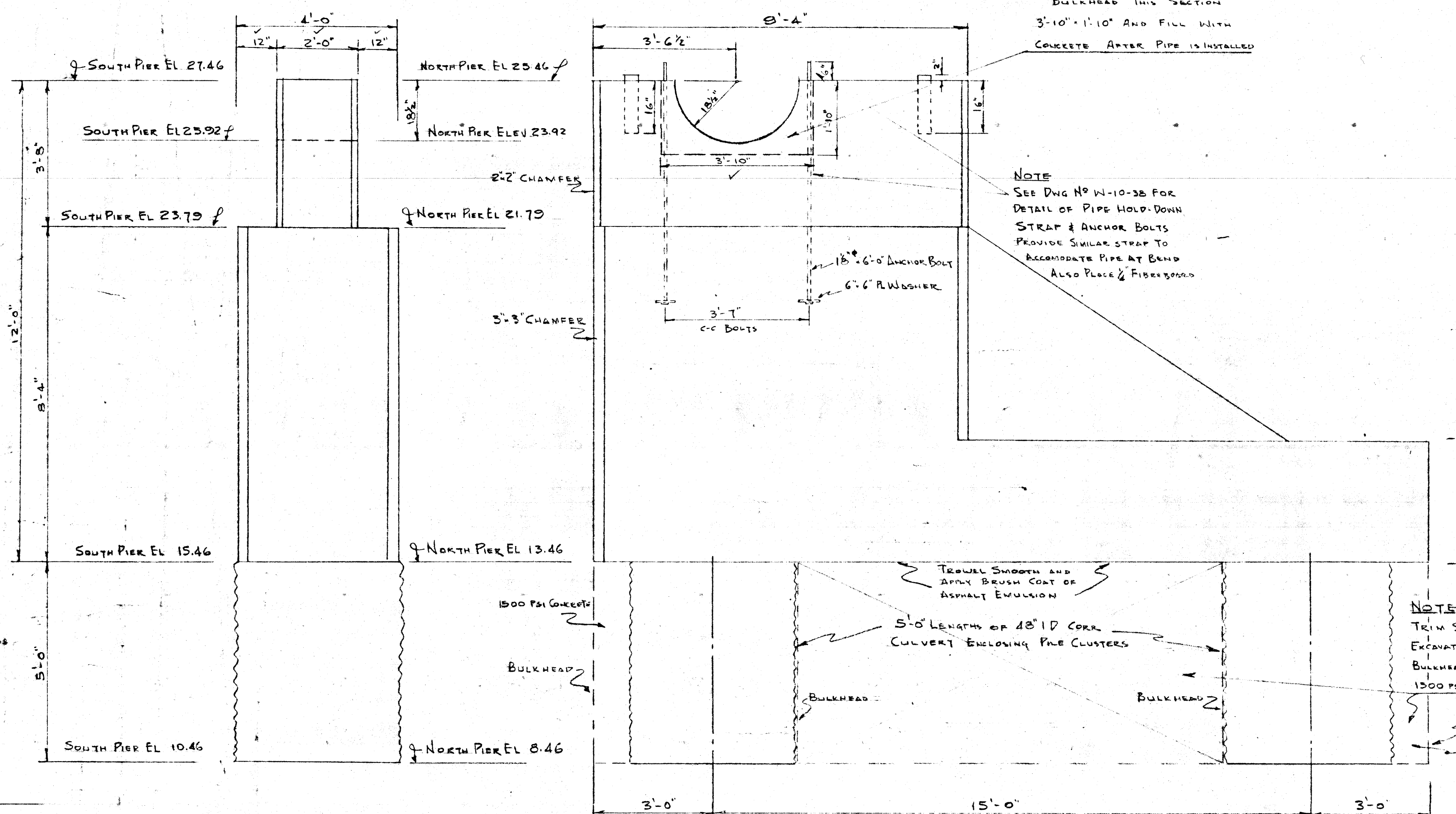


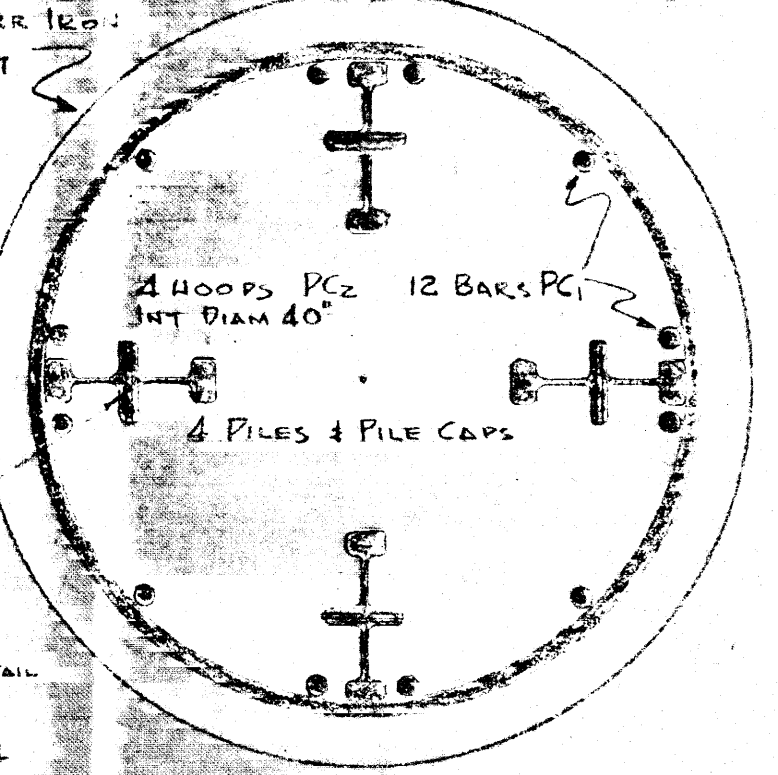
PLAN



ELEVATION

ELEVATION

ELEVATION



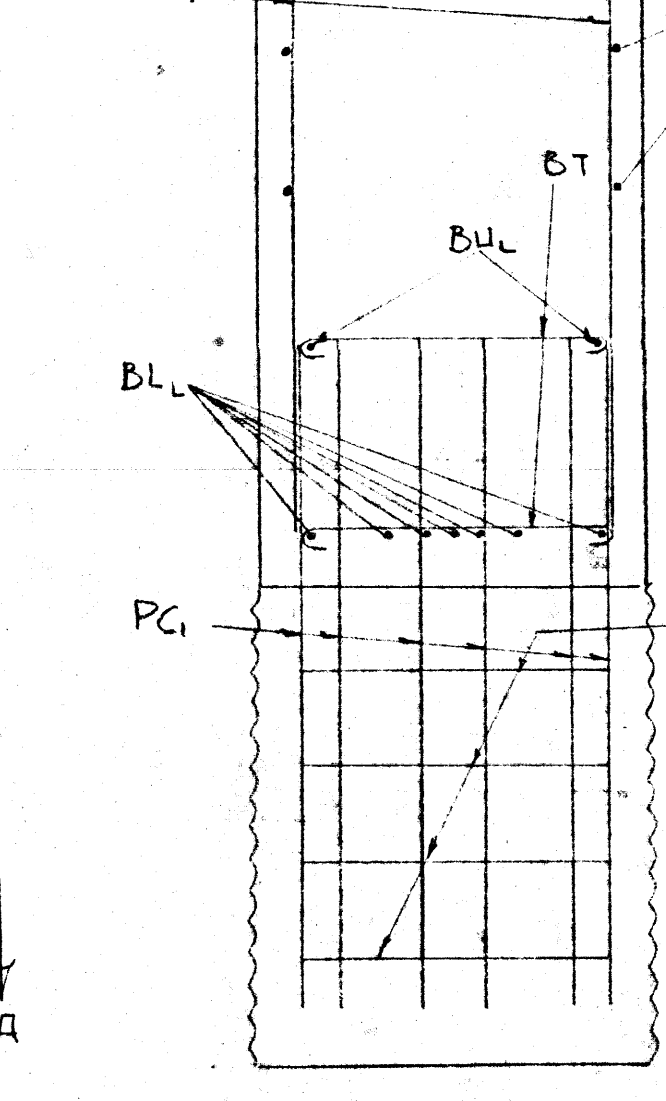
SECTION A-A

DETAIL OF PILE CLUSTER

SCALE 1" = 1'-0"

AS-BUILT PILE SCHEDULE - SHORE PIERS SU₁ & SU₂

LOCATION	NUMBER	LENGTH, FT. DENOM.	MINIMUM	MAXIMUM	TOTAL LENGTH, FEET - IN.
PIER SU ₁ EAST CLUSTER	4	42'-5"	44'-0"	172'-11"	
PIER SU ₁ WEST CLUSTER	4	45'-0"	44'-0"	173'-7"	
PIER SU ₂ EAST CLUSTER	4	30'-0"	31'-9"	122'-1"	
PIER SU ₂ WEST CLUSTER	4	30'-10"	33'-0"	127'-0"	

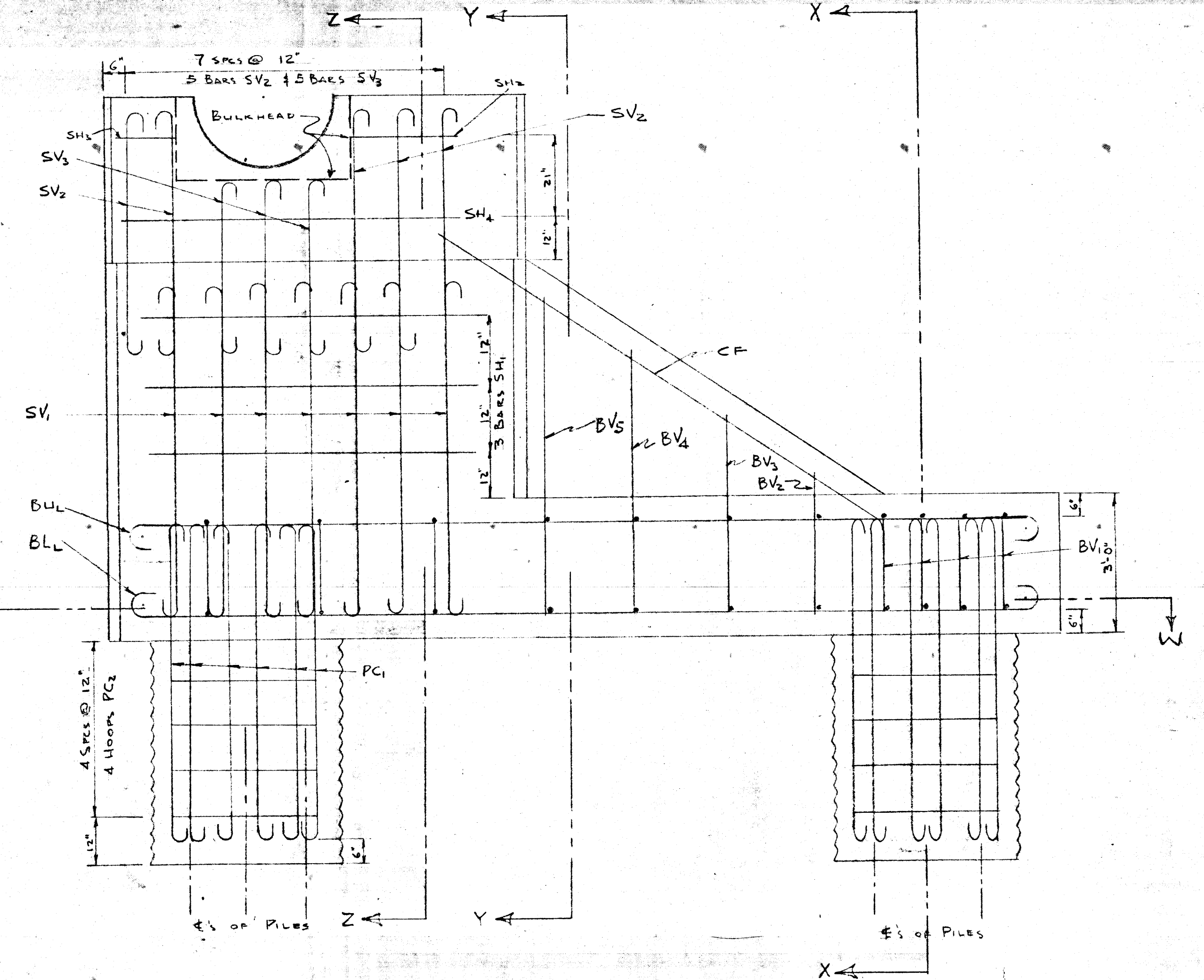


SECTION Z-Z

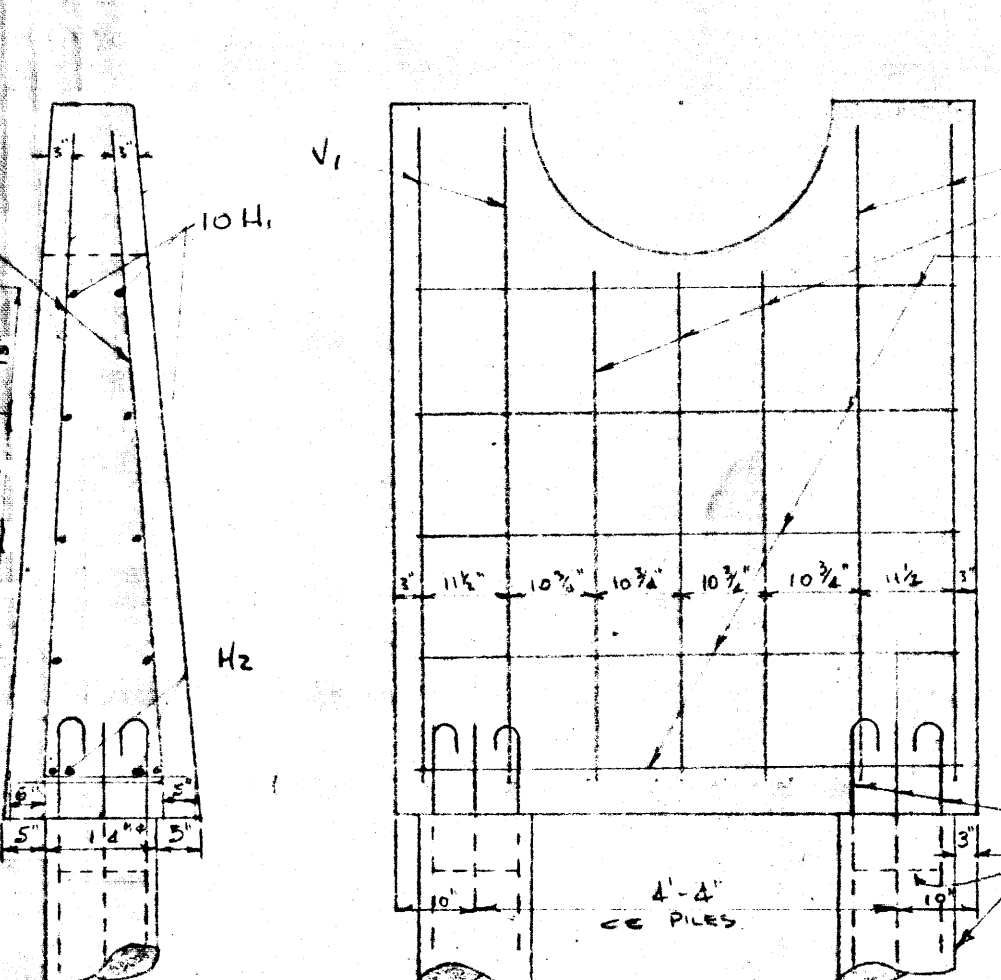
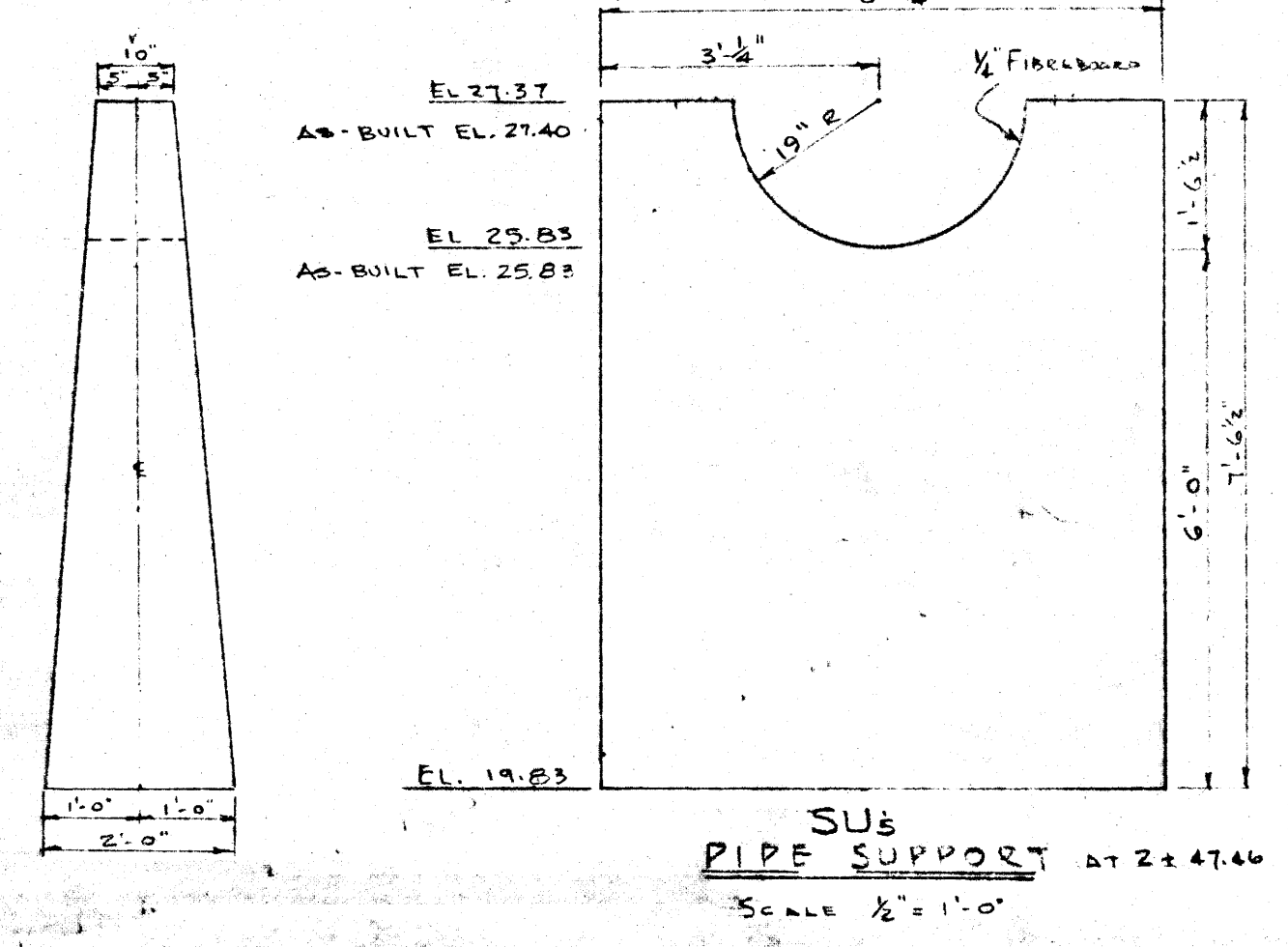
PILE SCHEDULE FOR TWO SHORE PIERS

LOCATION	NUMBER REQUIRED	APPROX LENGTH
NORTH SIDE	8	40'
SOUTH SIDE	8	30'

TOTAL LINEAR FT 260'



SECTION W-W



BAR SCHEDULE FOR PIPE SUPPORT

NO. REQ'D	MARK	SIZE	LENGTH	LOCATION	SKETCH	WEIGHT
8	V ₁	5	8'-6"	END VERTICAL		71
6	V ₂	5	7'-0"	CENTER VERTICAL		44
2	H ₁	3	6'-6"	BOTTOM HORIZ.		44
10	H ₂	5	6'-7"	HORIZONTAL		69
TOTAL WEIGHT						228

BAR SCHEDULE FOR SHORE PIER

NO. REQ'D	MARK	SIZE	LENGTH	LOCATION	SKETCH	WEIGHT
24	PC ₁	3	8'-10"	PIER CENTER TO BASE VERT.		721
7	BL	3	21'-10"	BASE LOWER LEVEL		860
14	BUL	6	21'-4"	BASE UPPER LEVEL		641
10	SV ₁	6	8'-7"	SHAFT VERT. IN 2 SECTS		410
6	SV ₂	6	6'-8"	" " " " 2 SECTS		100
6	SV ₃	6	5'-7"	UNDER GROUND		46
6	SH ₁	6	7'-4"	SHAFT HORIZ.		66
2	SH ₂	6	2'-6"	" " " "		8
2	SH ₃	6	1'-7"	" " " "		5
2	SH ₄	6	7'-8"	" " " "		23
22	BT	5	3'-10"	BASE TRANSVERSE		80
28	BV ₁	5	2'-10"	BASE VERT.		85
5	BV ₂	5	3'-8"	" " " "		20
5	BV ₃	5	5'-0"	" " " "		24
5	BV ₄	5	6'-2"	" " " "		32
5	BV ₅	5	7'-4"	" " " "		38
5	CF	6	15'-5"	BASE TO COUNTERFOOT		80
8	PC ₂	6	11'-6"	4 IN EACH PIER CLUSTER		158
TOTAL WEIGHT						3589

NO. DESCRIPTION REVISIONS BY DATE

BC4503-2

CITY OF WINNIPEG
AUBREY STREET WATER CROSSING

SHORE PIERS & PIPE SUPPORT
SU₁ SU₂

TEMPLETON ENGINEERING COMPANY
DESIGNED BY E.W.M.S. SCALE AS SHOWN PLAN NO.
DRAWN BY T.W.H. DATE JAN 15 1957 W-12-35
APPROVED BY

