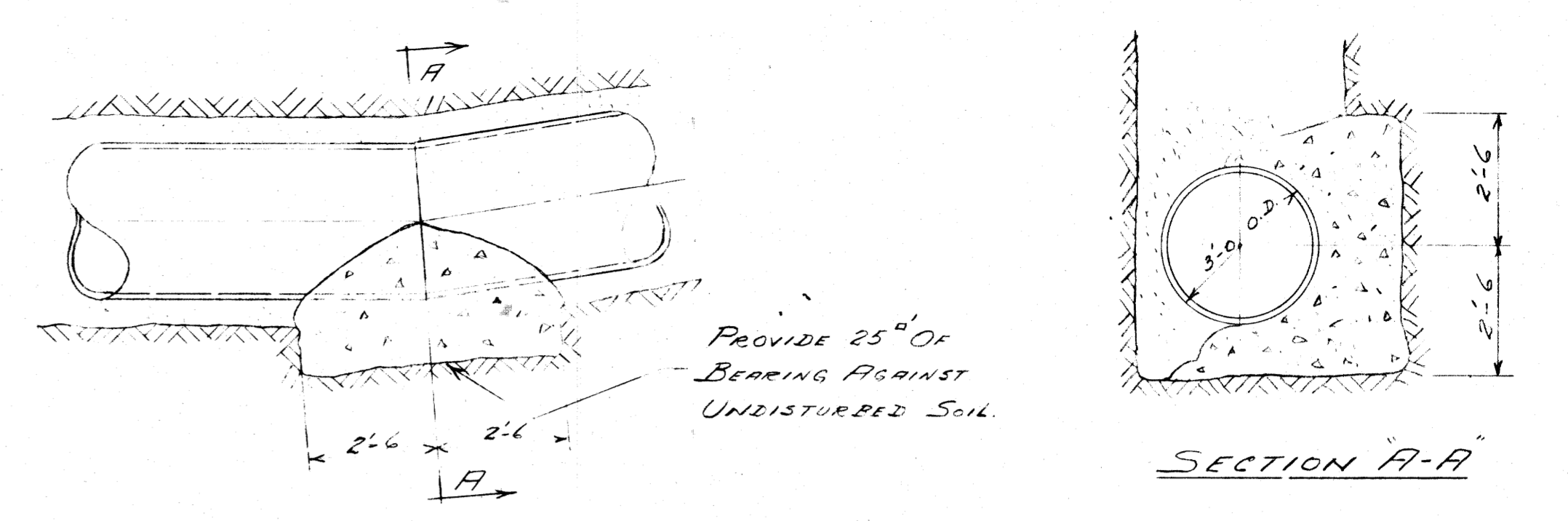
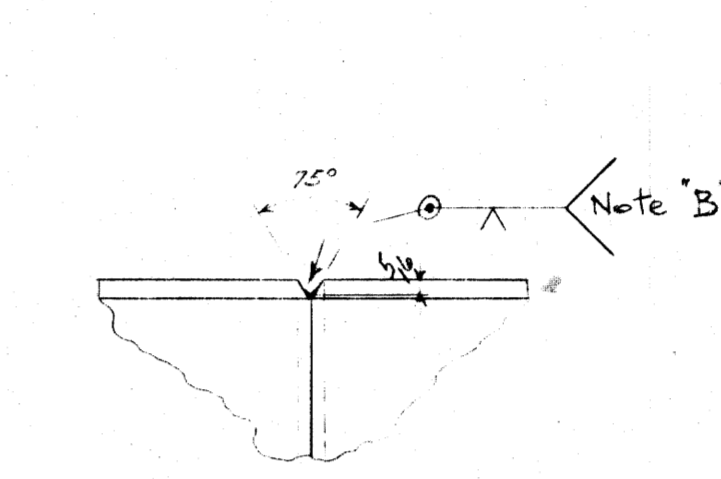


**NOTE A** - INSTALL TEMPORARY BULKHEAD & BRACE AGAINST 49° UNDISTURBED SOIL FOR TEST OF STEEL PIPE AT 150 PSI. AFTER TEST REMOVE BULKHEAD AND INSTALL END SECTION OF PIPE. LENGTH OF END SECTION IS TO BE DETERMINED BY FIELD MEASUREMENT AFTER TEST IS COMPLETED.

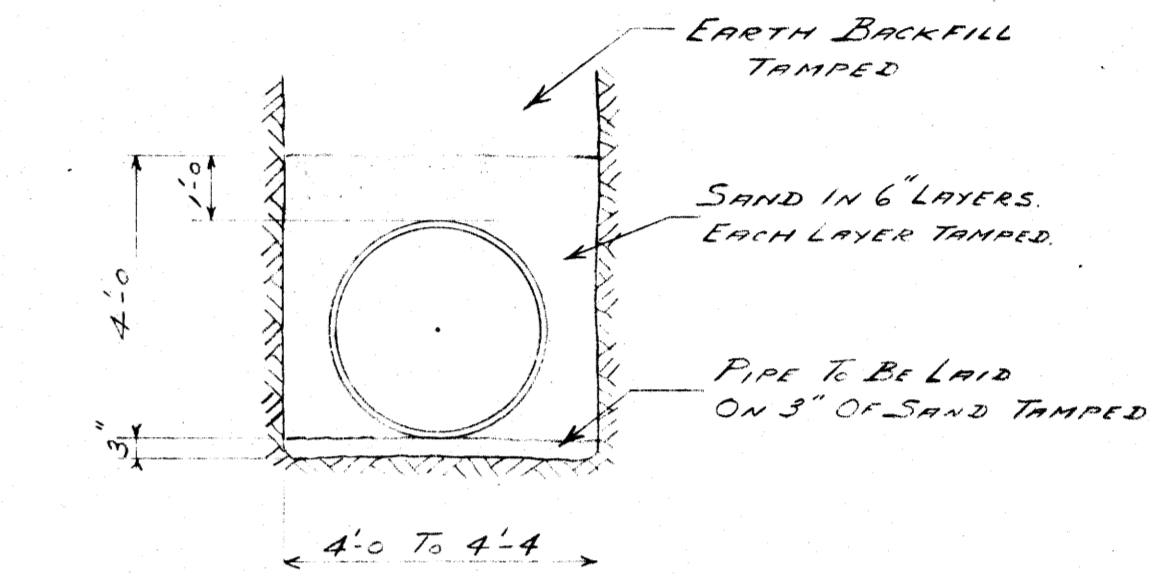


**DETAIL OF THRUST BLOCK**

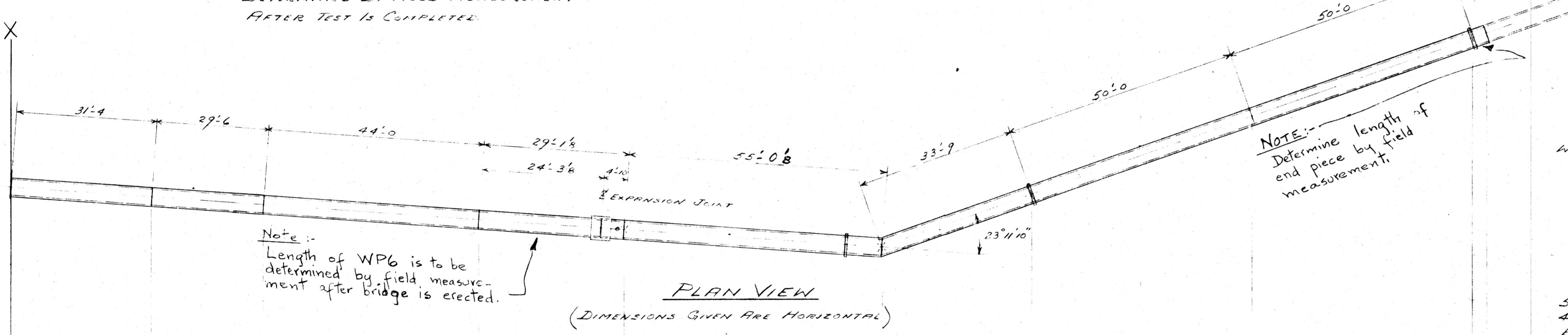


**TYPICAL DETAIL FOR FIELD SPlice WELD**

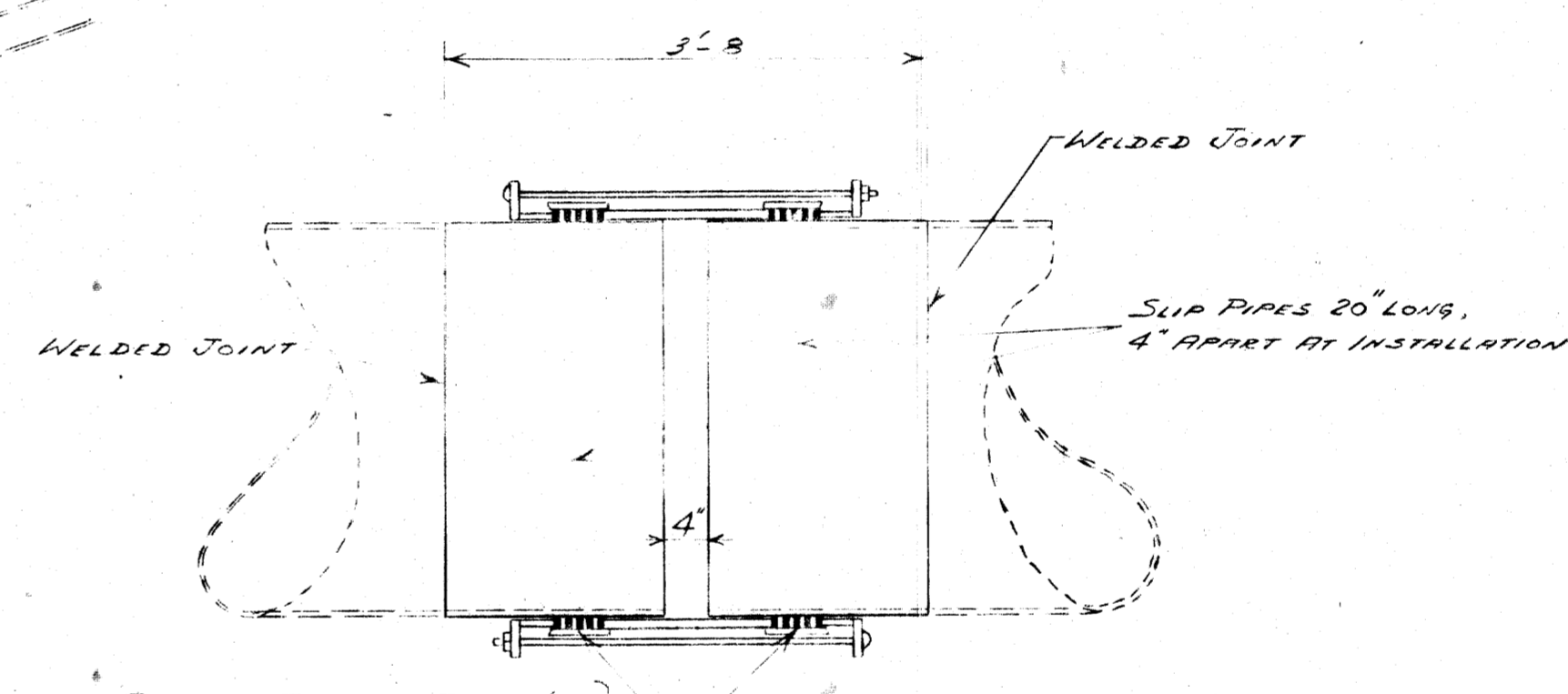
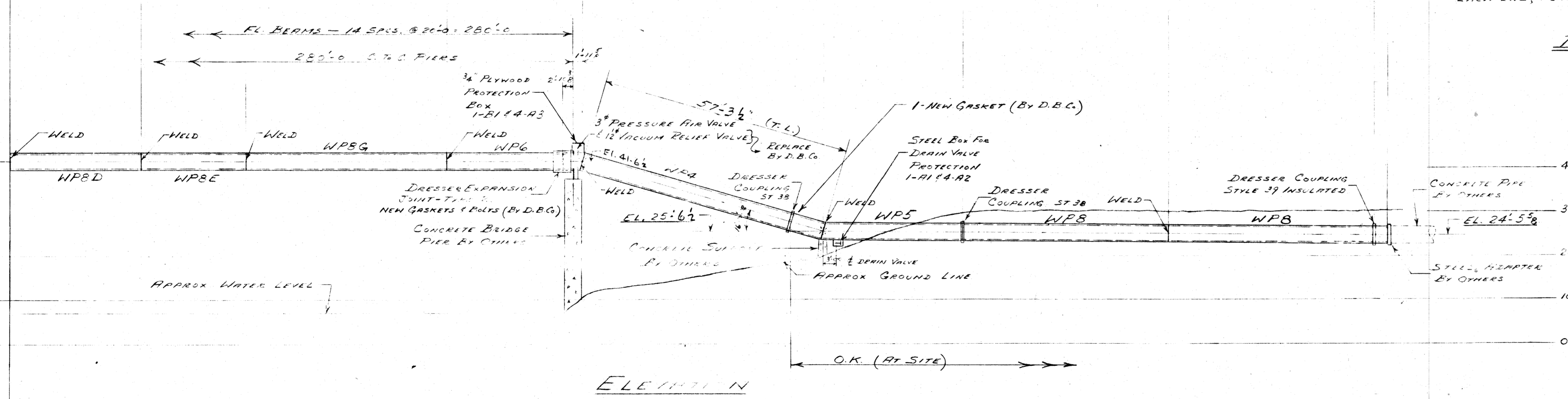
**Note B** - Weld for un-fired pressure vessel under test pressure of 150 lb/sq.in.



**TYPICAL TRENCH BACKFILL**



**Note** - Length of WP6 is to be determined by field measurement after bridge is erected.



**DETAIL AT EXPANSION JOINT**

**GENERAL NOTES**  
**ERECTION** - By D.B. Co. Ltd.  
**FIELD PAINT** - ALL DAMAGED AREAS OF PIPE COVERING TO BE WIRE BRUSHED AND APPLY ONE COAT OF KOPPERS' "50 THE".  
 INTERIOR OF PIPE AT WELDS AND AT SCRATCHED AREAS IS TO BE WIRE BRUSHED, THEN ONE COAT OF KOPPERS' THIN SOLUTION APPLIED BY BRUSH.

M.B.E. LTD. CONT. - M-541A  
**BC 4505-25**  
 Ref. - J. B. Co. Dwg. E1 - BRIDGE DIAGRAM  
 REL. - TEMPLETON ENGINEERING CO.  
 DWGS. W-9-36, W-17-38, & W-18-38

REVISIONS	BY	DATE
C	HMJ	JUNE 5, 58
B	JCK	SEPT. 14, 57
A	HMJ	SEPT. 10, 57

CITY OF WINNIPEG  
 AUBREY STREET WATER  
 CROSSING, W.P.S., MAN.  
 36 INCH WATER PIPE  
 JCK HMJ July 2, 57  
 MAY 30, 57 W6217 XI ER-C  
 Squat J... # PG 1083