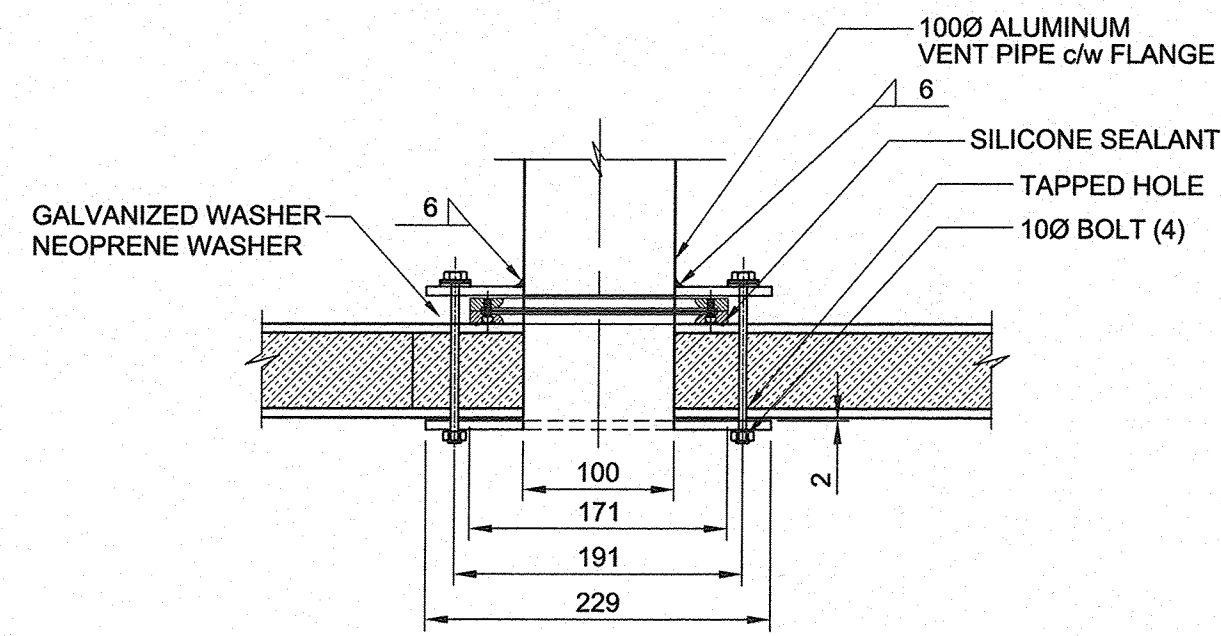
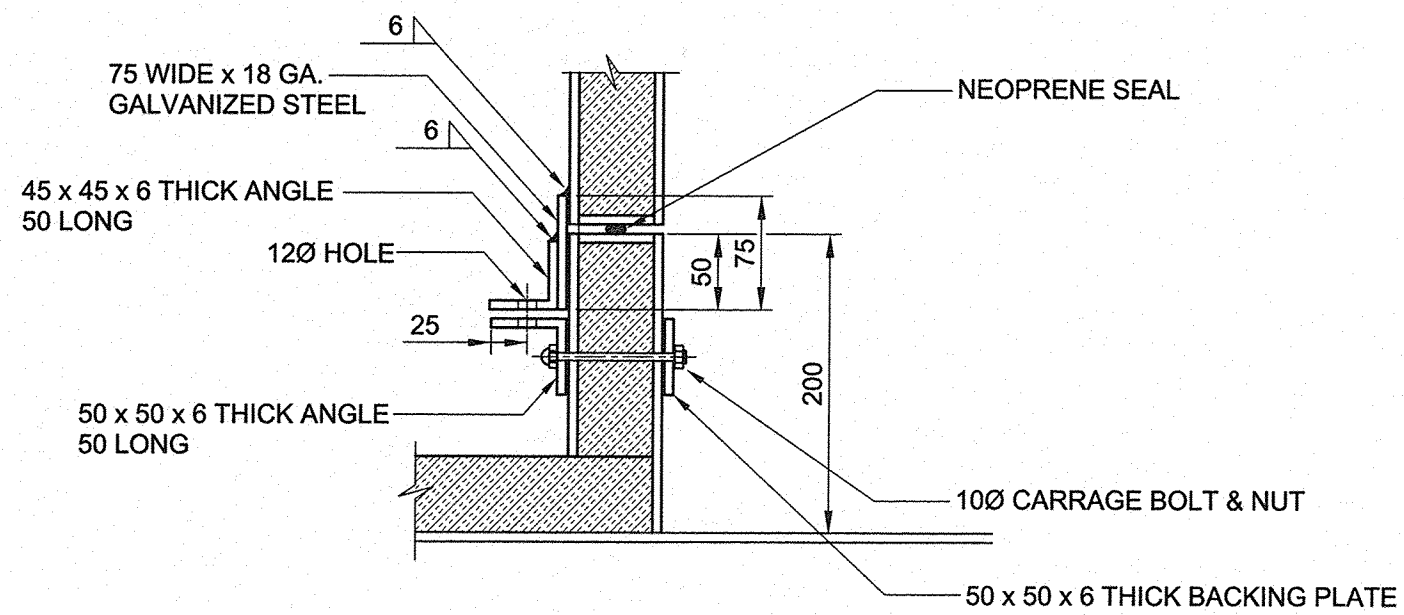


D SIZE 22" x 34" (559mm x 864mm)



AIR DAMPER RETAINER CLIP DETAIL

SCALE 1:5



FASTENING DETAIL

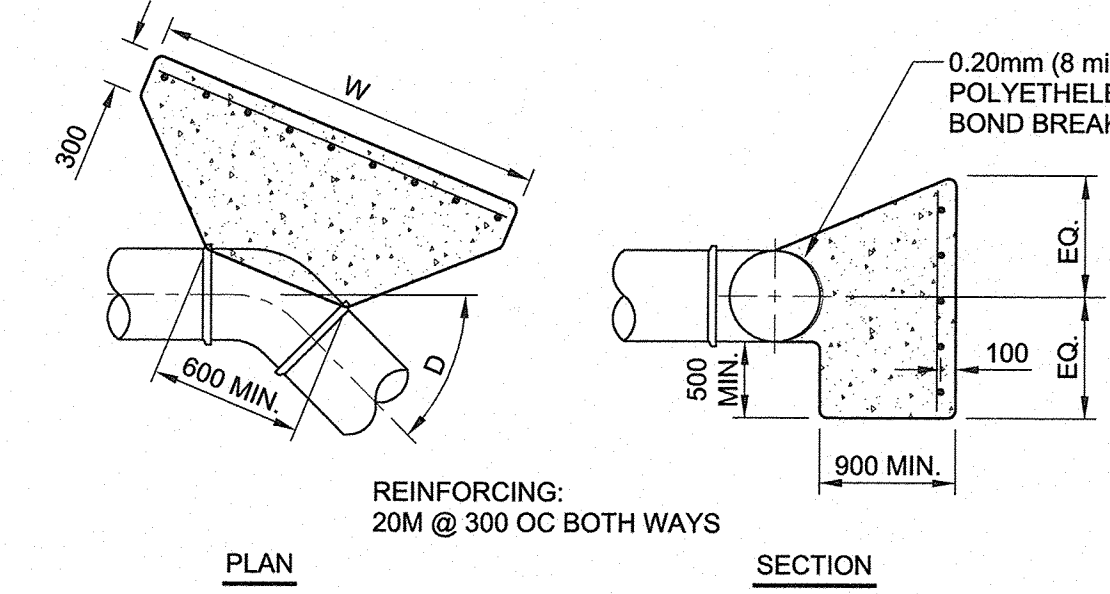
SCALE 1:5

THRUST BLOCK DATA TABLE

BEARING AREA A (m²)	H (m)	W (m)	DEFLECTION ANGLE D
1.50	1.25	1.25	8.7°

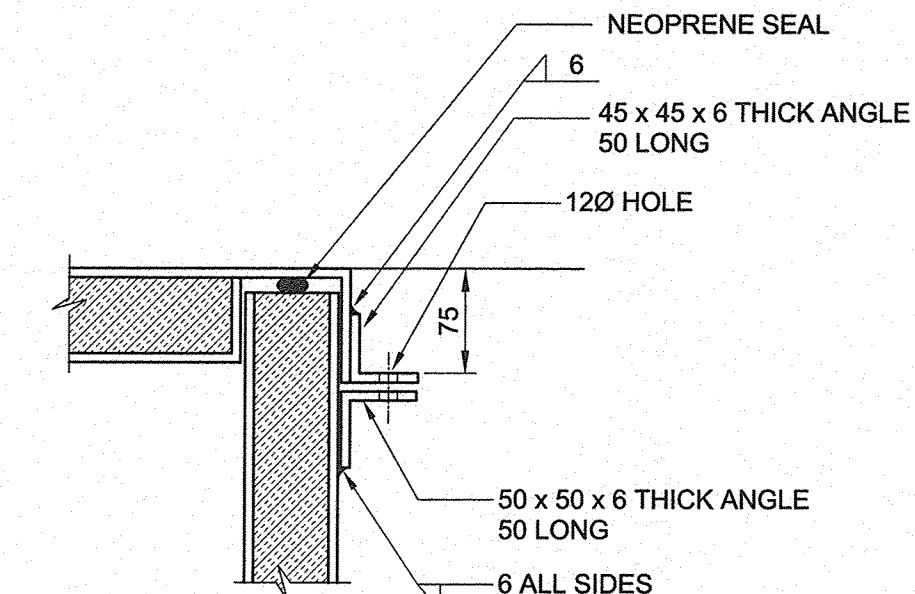
DESIGN CRITERIA

	PRESSURE	SOIL BEARING
LONG TERM	700 kPa	50 kPa



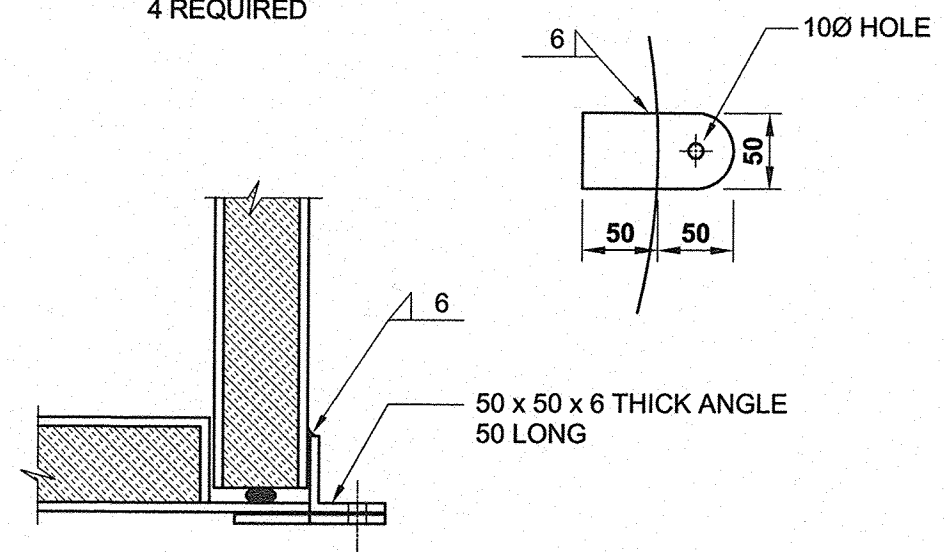
THRUST BLOCK

SCALE: N.T.S.



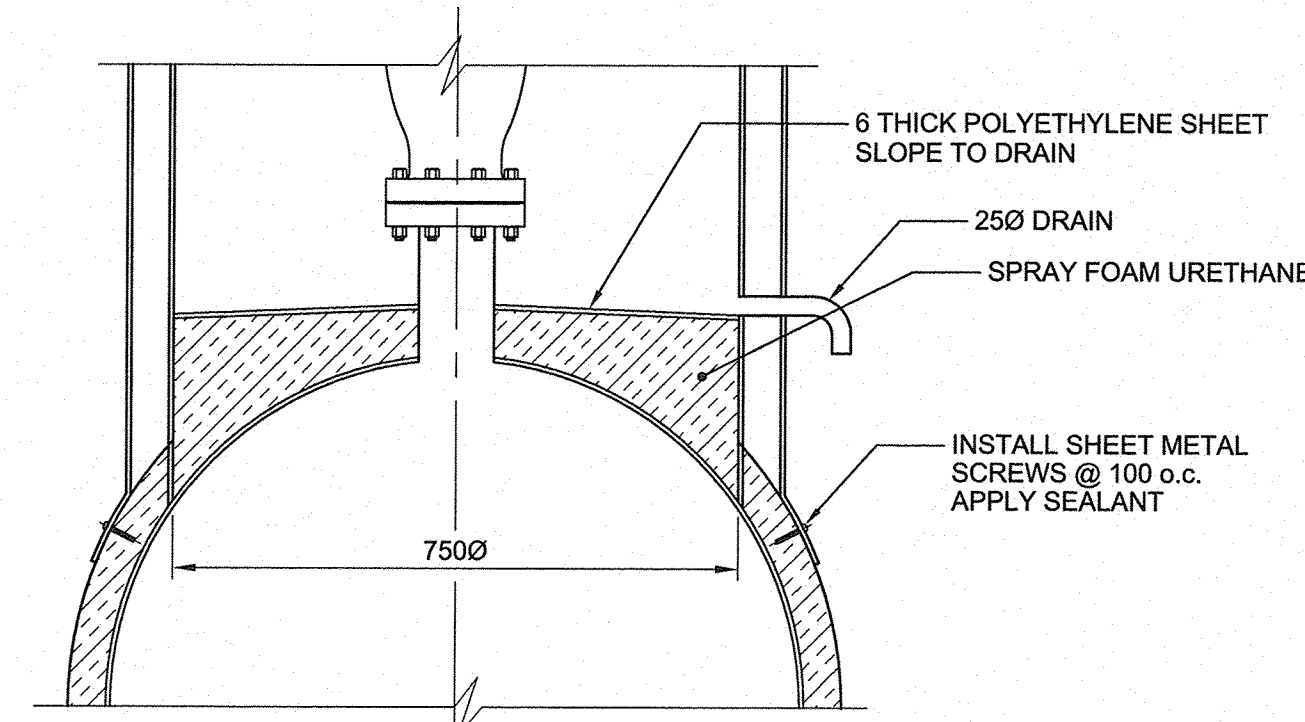
LOCKABLE COVER 'A' DETAIL

SCALE 1:5



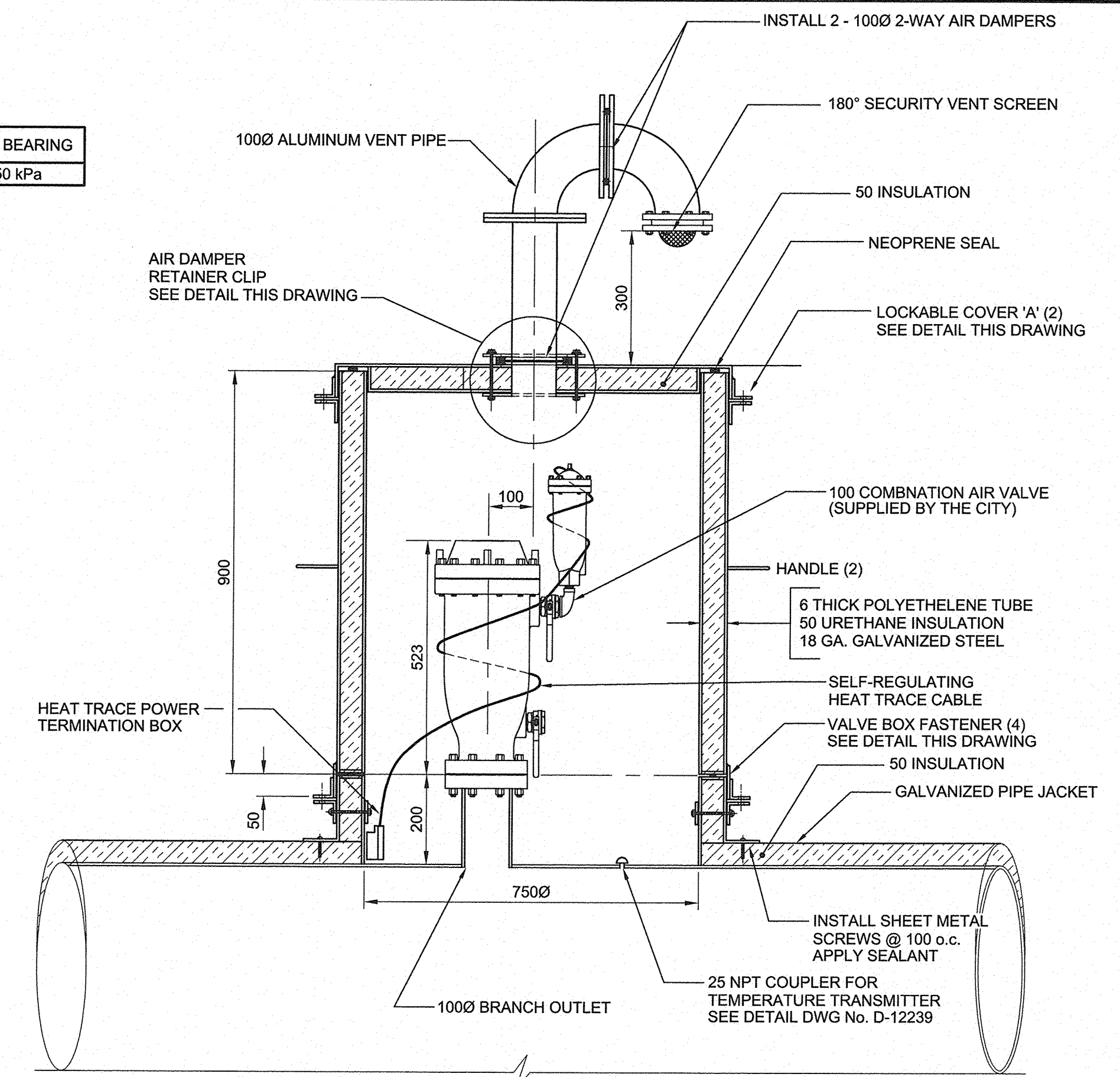
LOCKABLE COVER 'B' DETAIL

SCALE 1:5



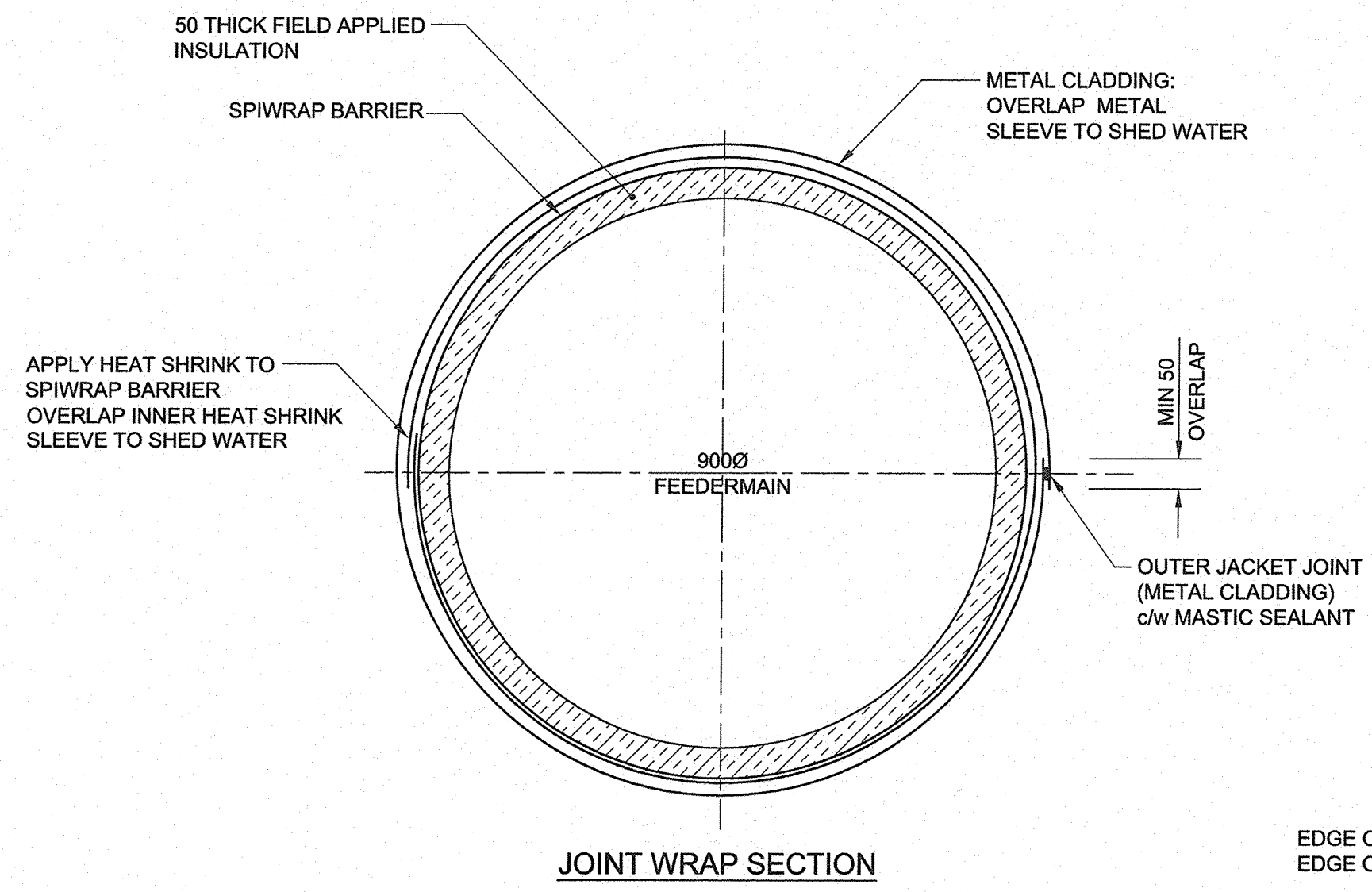
NEW AIR VALVE BOX

SCALE 1:10

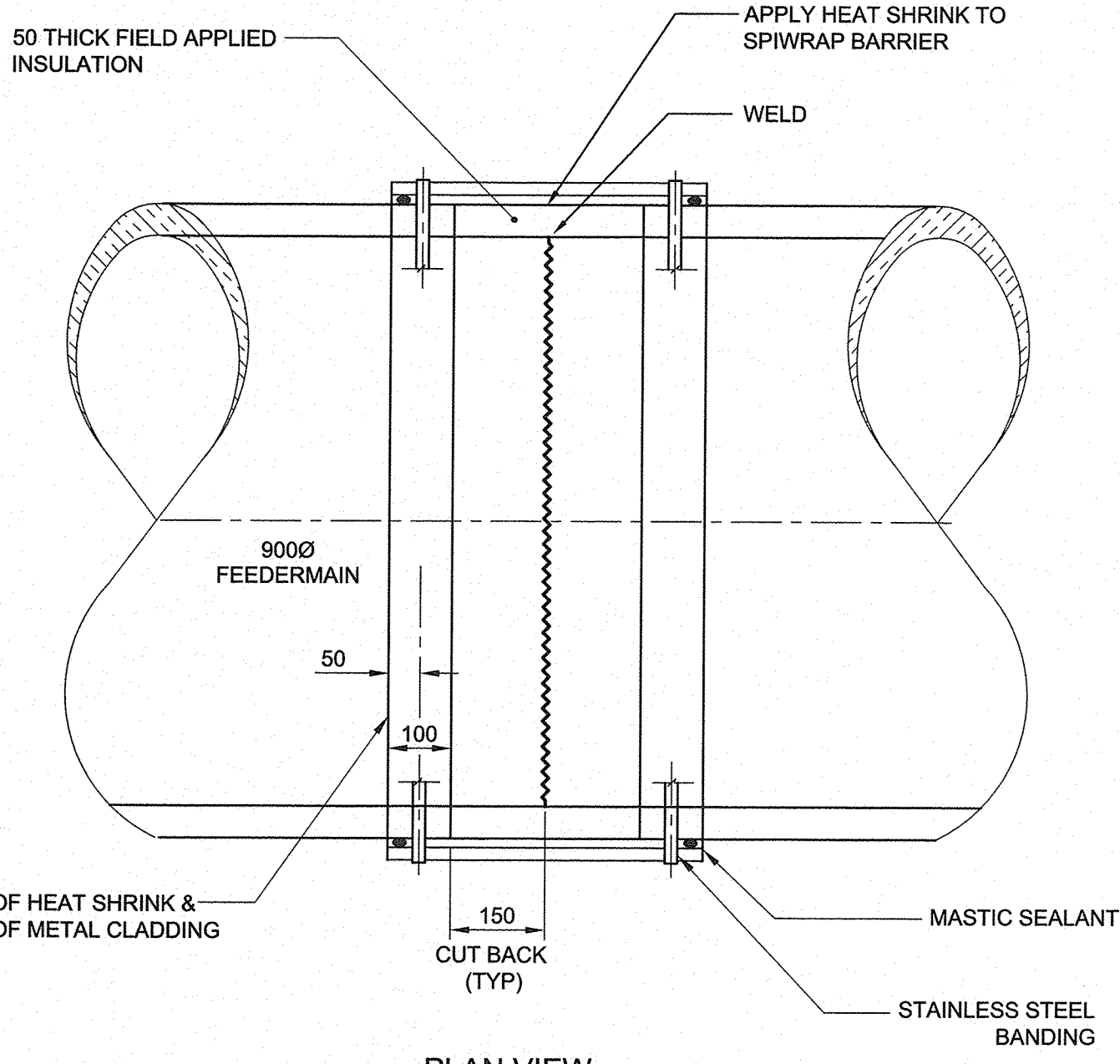


NEW AIR VALVE BOX

SCALE 1:10

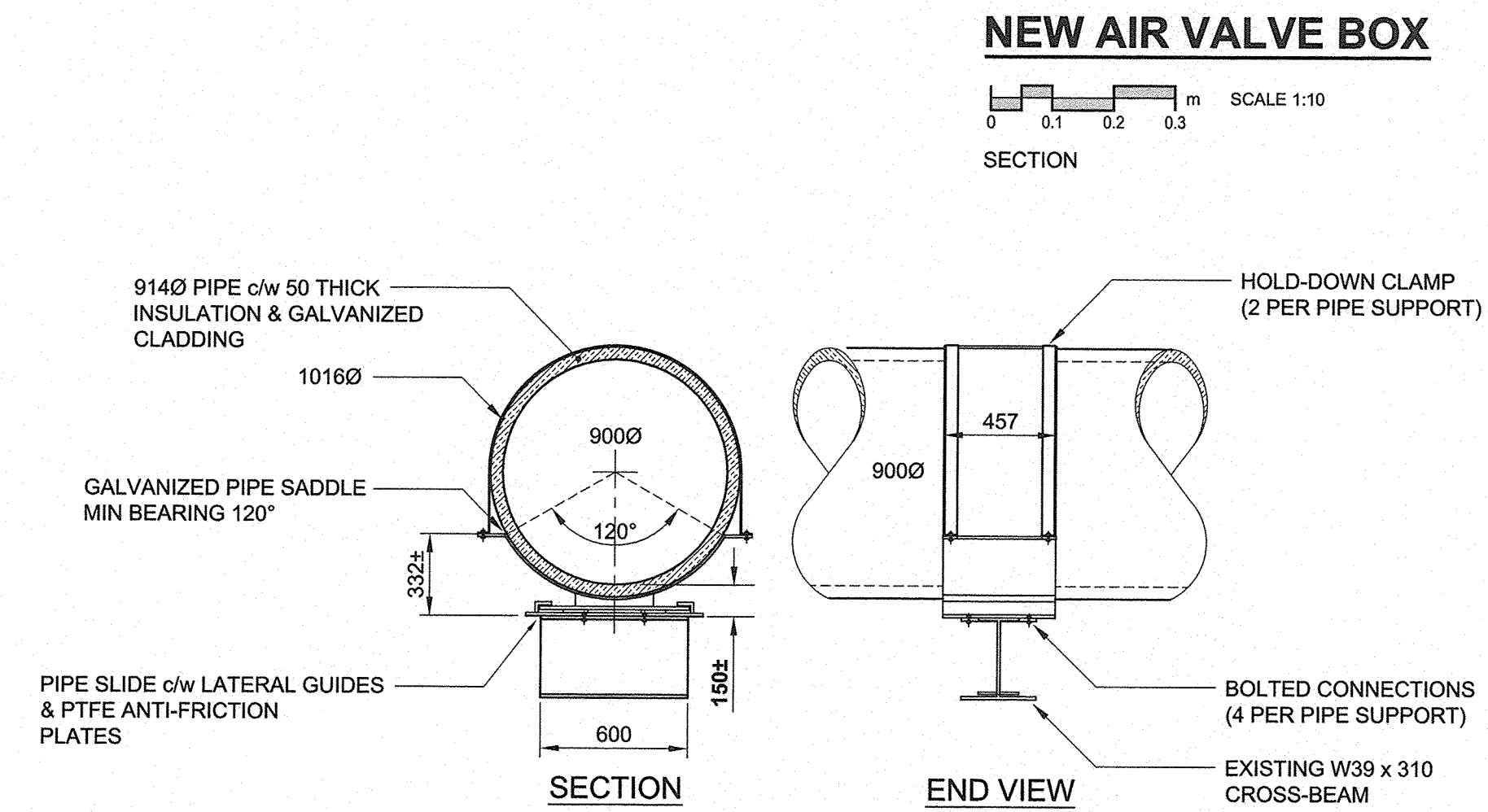


JOINT WRAP SECTION



FIELD INSULATION DETAIL

SCALE 1:10



TYPICAL PIPE SLIDE DESIGN NOTES:

- SLIDE SHALL ACCOMMODATE MIN 100 LONGITUDINAL MOVEMENT.
- SLIDE SHALL BE DESIGNED TO PREVENT LATERAL MOVEMENT.
- SLIDE SHALL BE BOLTED TO EXISTING BRIDGE MEMBER.
- SLIDE SHALL BE DESIGNED FOR OPERATING TEMPERATURE +40° TO -40°C.
- ALL COMPONENTS TO BE HOT DIPPED ZINC GALVANIZED.
- SLIDE SHALL BE DESIGNED FOR A WORKING LOAD OF 12,400 x 1.25 SAFETY FACTOR

FEEDERMAIN PIPE SUPPORTS WITH TEFLON SLIDE

SCALE 1:25

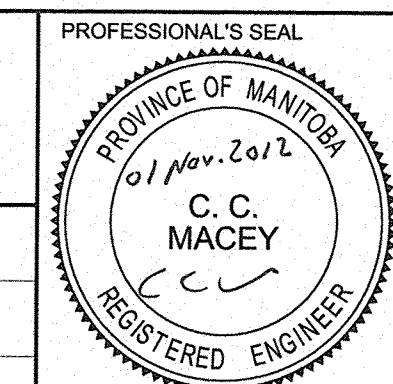
LOCATED ON EXISTING BRIDGE

LOCATION APPROVED UNDERGROUND STRUCTURES

SUPR. U/G STRUCTURES COMMITTEE DATE
 NOTE: LOCATION OF UNDERGROUND STRUCTURES AS SHOWN ARE BASED ON THE BEST INFORMATION AVAILABLE. BUT NO GUARANTEE IS GIVEN THAT ALL EXISTING UTILITIES ARE SHOWN OR THAT THE GIVEN LOCATIONS ARE EXACT. CONFIRMATION OF EXISTENCE AND EXACT LOCATION OF ALL SERVICES MUST BE OBTAINED FROM THE INDIVIDUAL UTILITIES BEFORE PROCEEDING WITH CONSTRUCTION.



DESIGNED BY: MGM
 CHECKED BY: C.C.
 DRAWN BY: W.Jd
 APPROVED BY: [Signature]
 HOR. SCALE: 1:250
 VERT. SCALE: 1:50
 DATE: [Blank]



CONSULTANT DRAWING NO. D265-230-02_01-C-4002_RX.dwg

THE CITY OF WINNIPEG WATER AND WASTE DEPARTMENT

REHABILITATION / REPLACEMENT OF THE MID TOWN FEEDERMAIN AT THE ASSINBOINE RIVER
 CIVIL PIPE SECTIONS & DETAILS
 South & North Connections

BID OPPORTUNITY NO. 830-2012

SHEET 5 OF 19
 CITY DRAWING NUMBER
D-12231
 REV 2

AECOM REVIEW DRFT CHK
 AECOM FILE NAME: D265-230-02_01-C-4002_RX.dwg Saved By: [Blank]
 PLOT: 10/18/2012 9:18:52 AM