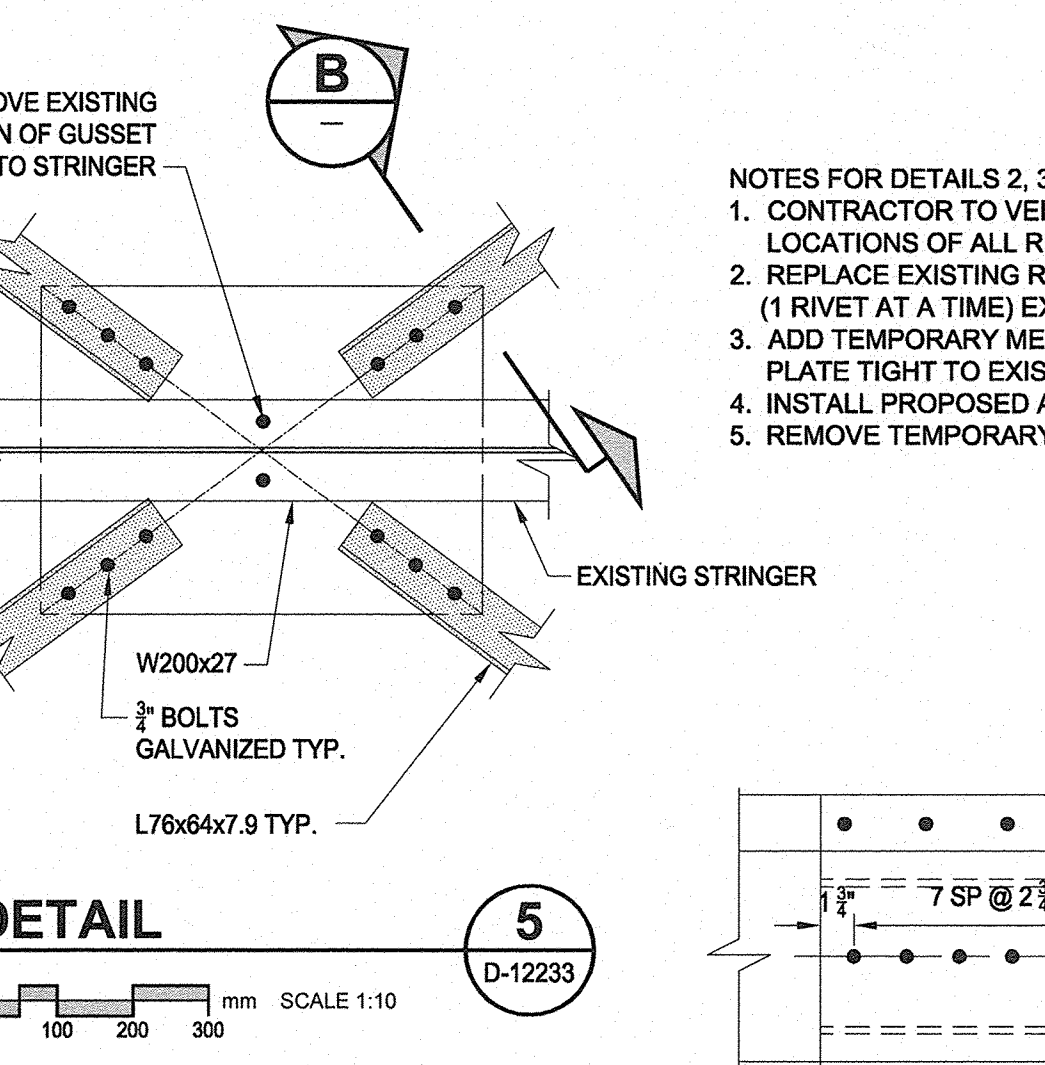
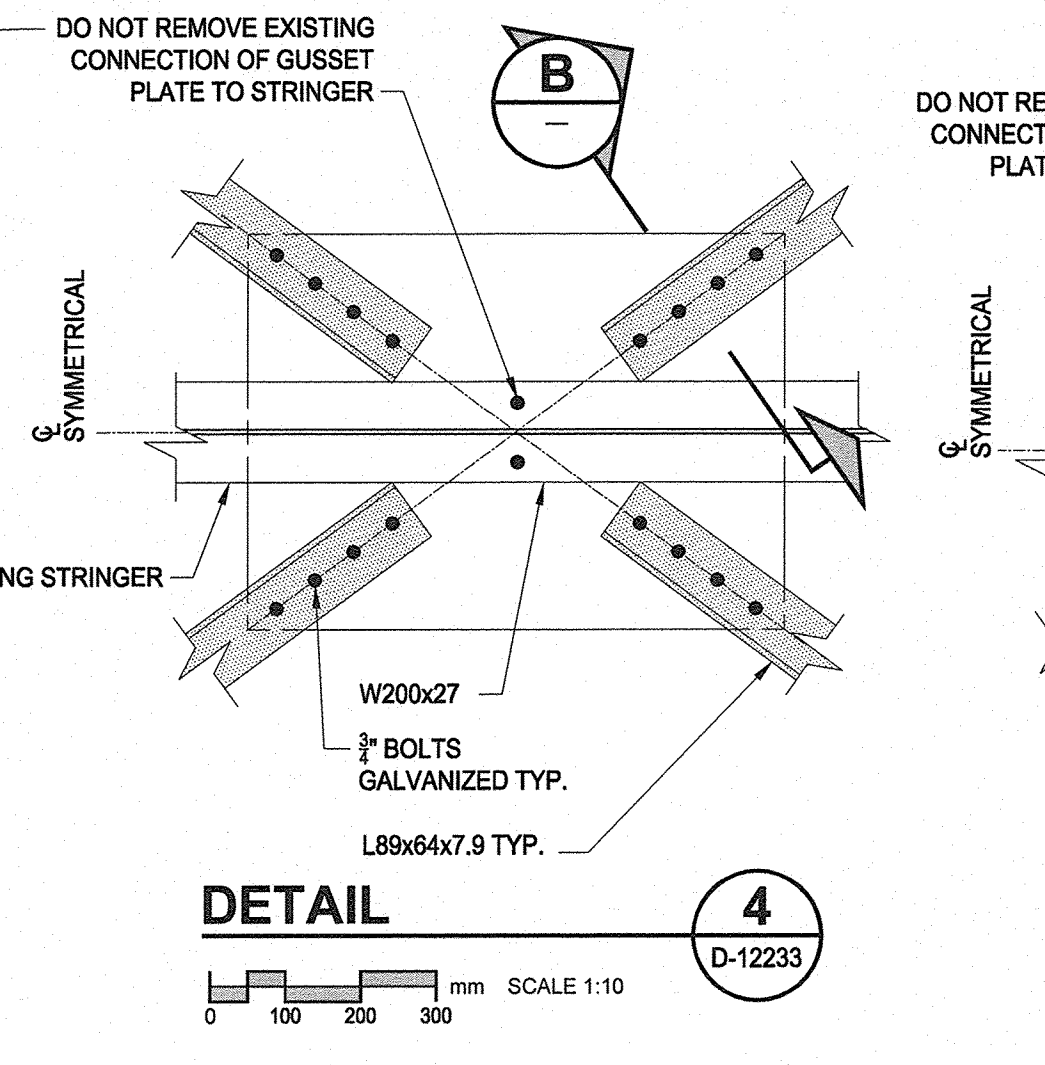
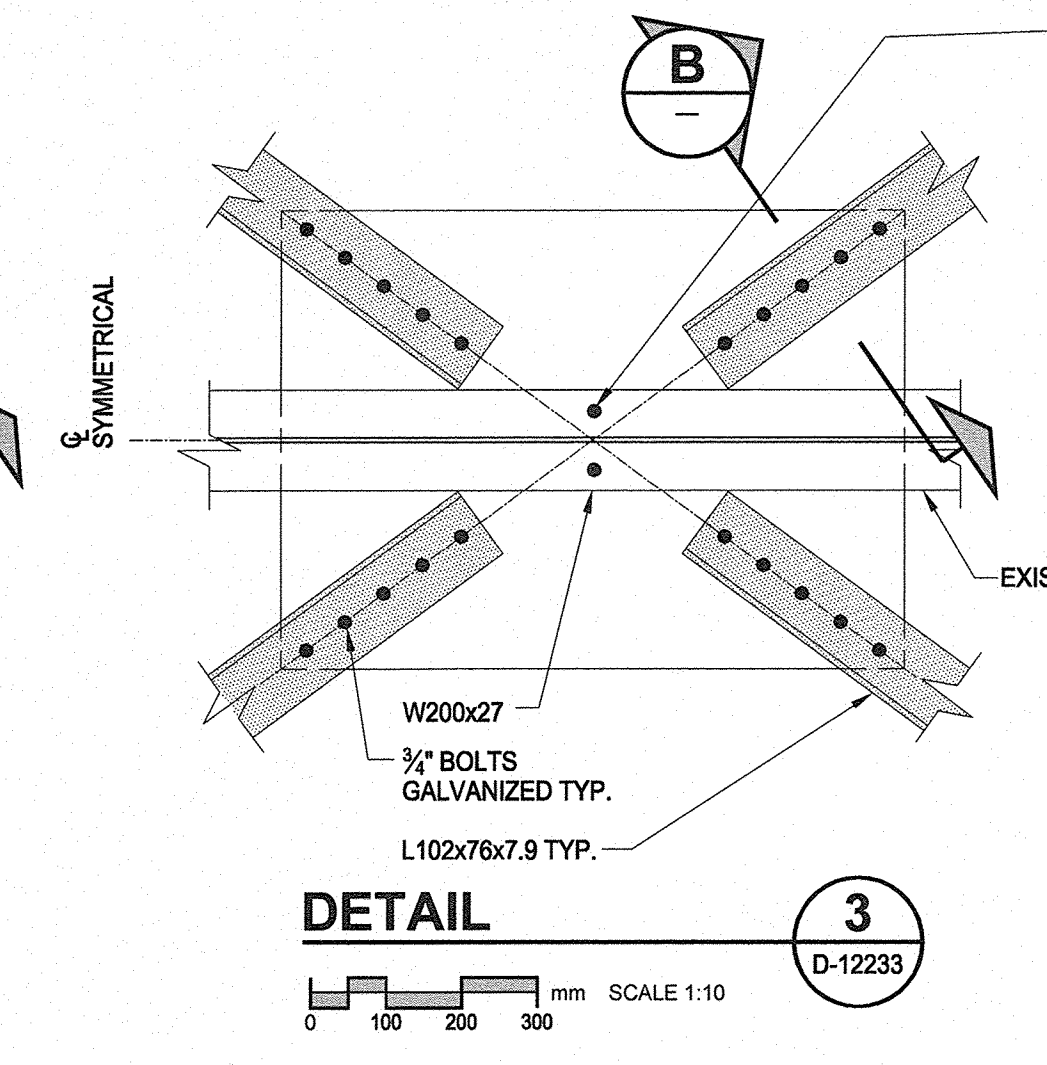
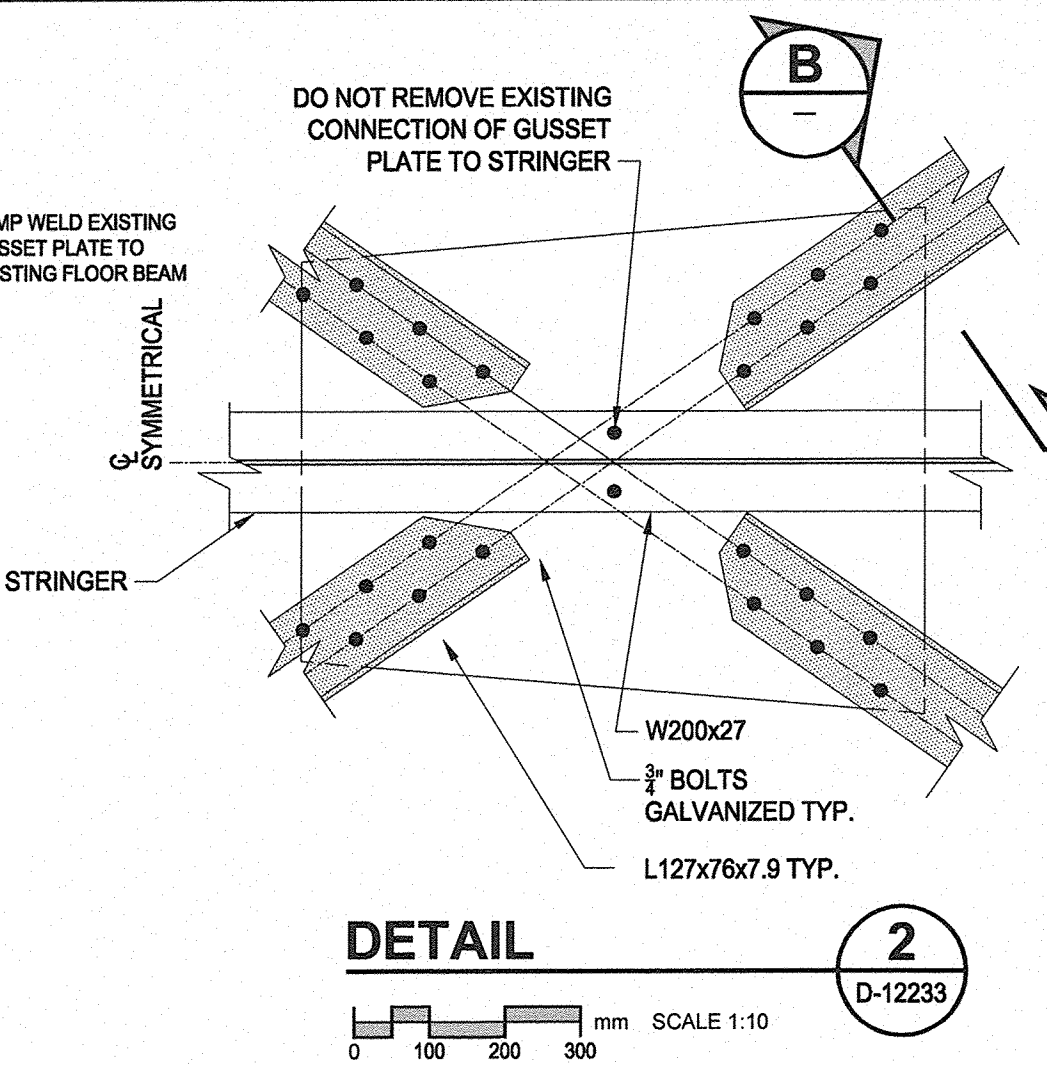
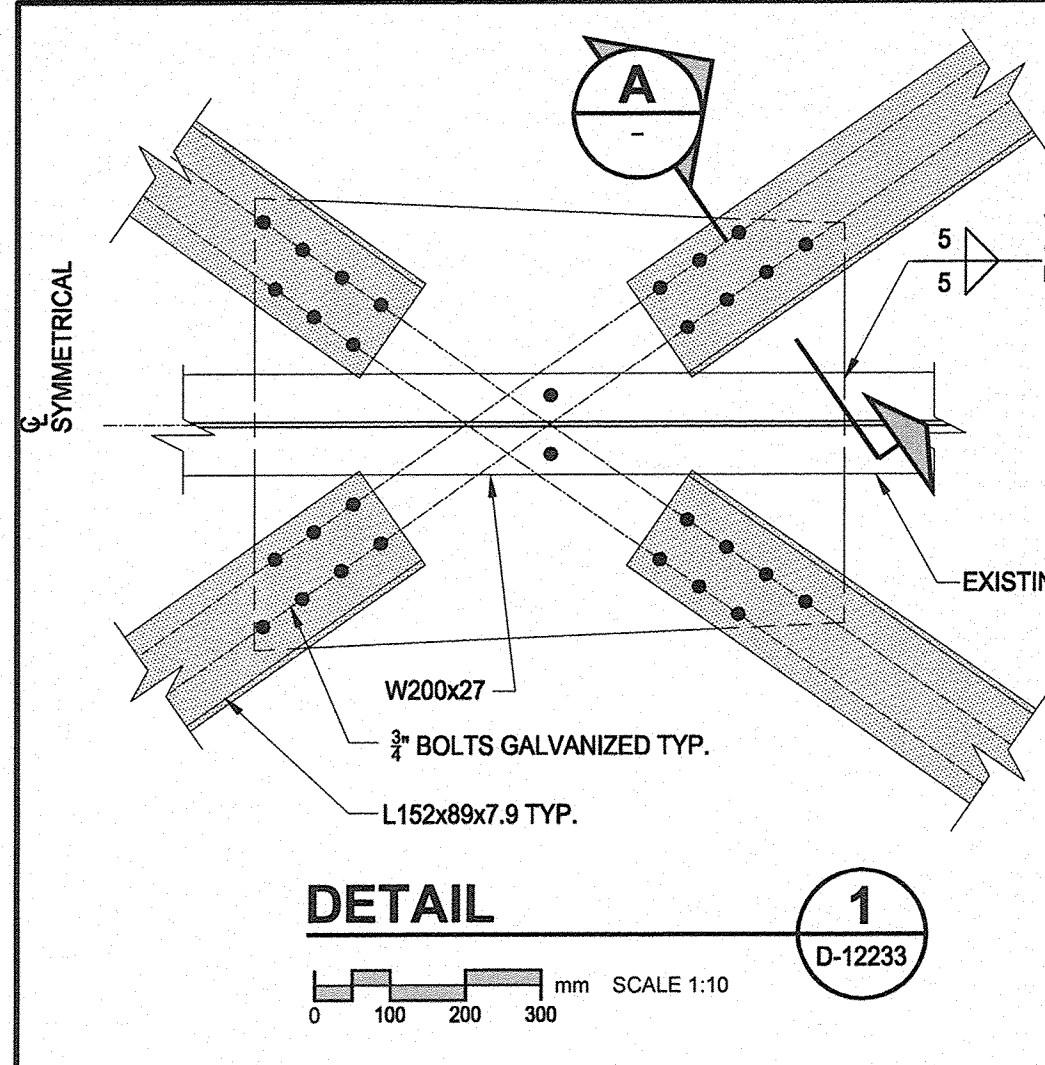


D SIZE 22" x 34" (559mm x 864mm)
 PLOT: 10/31/2012 9:44:10 AM
 AECOM REVIEW DRFT CHK
 AECOM FILE NAME: D265-230-02_01-S-4004_RX.dwg Saved By: cameroni

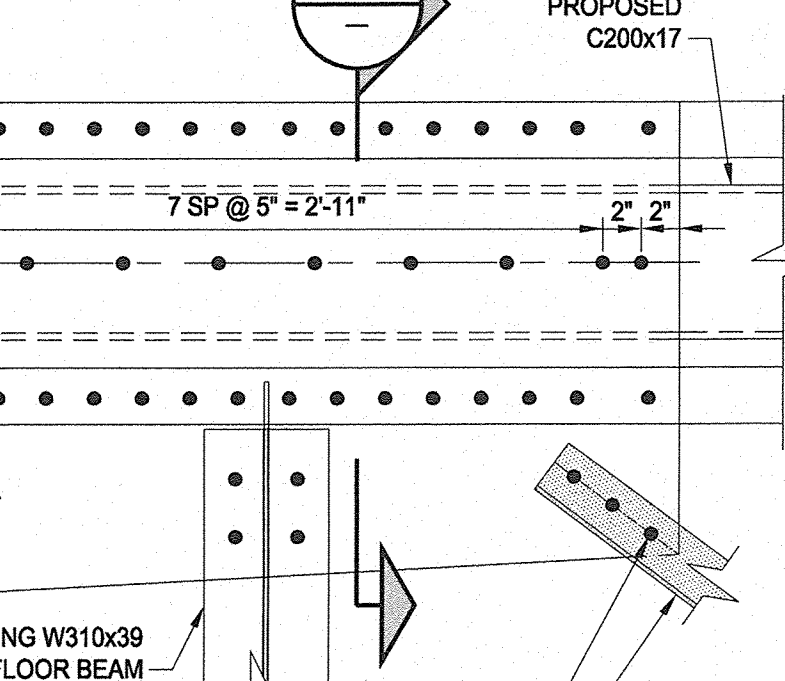
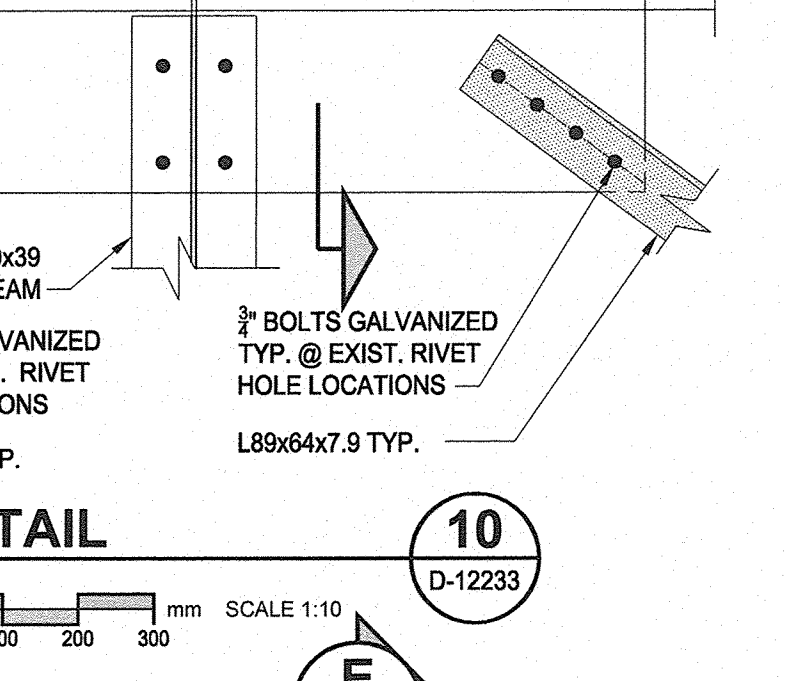
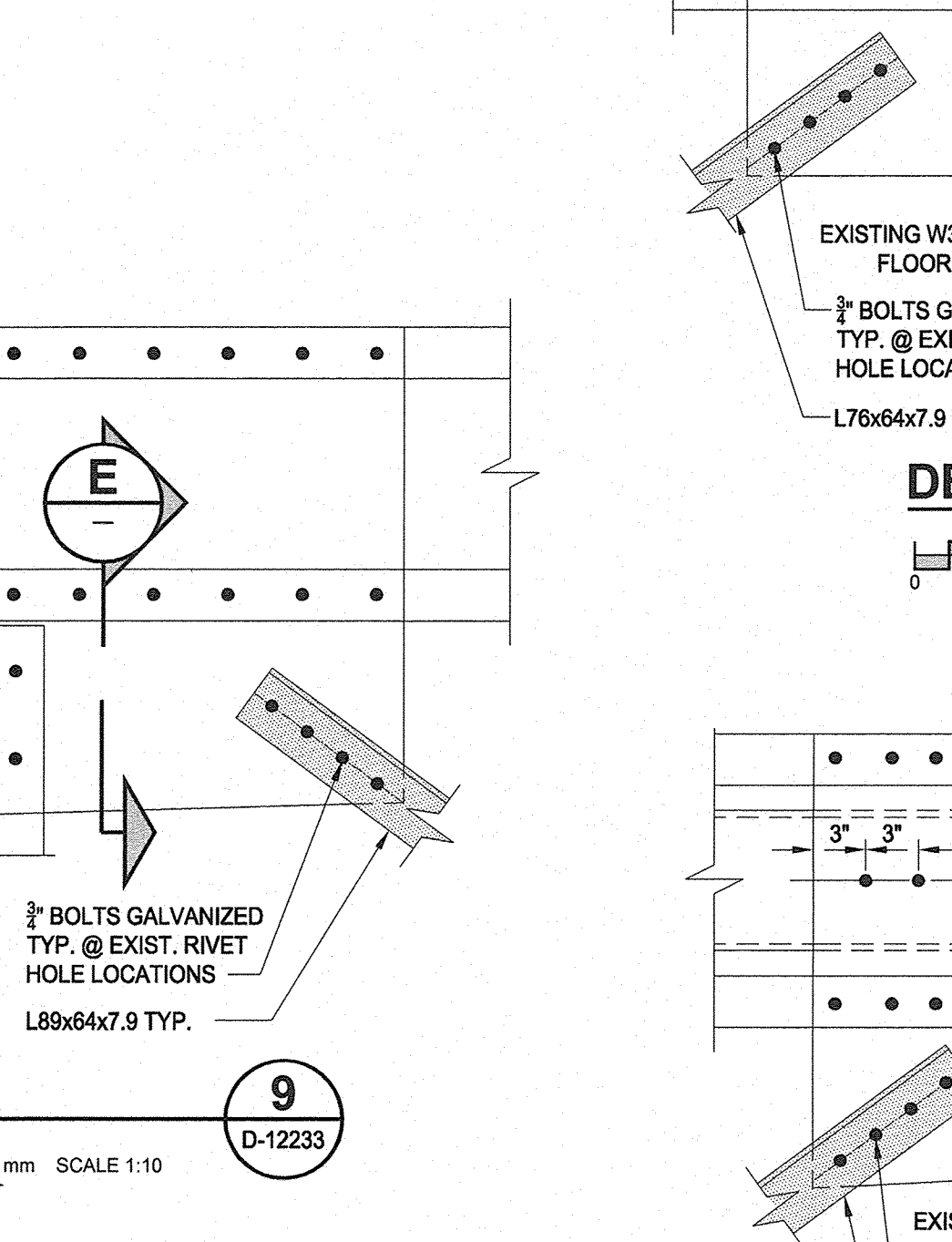
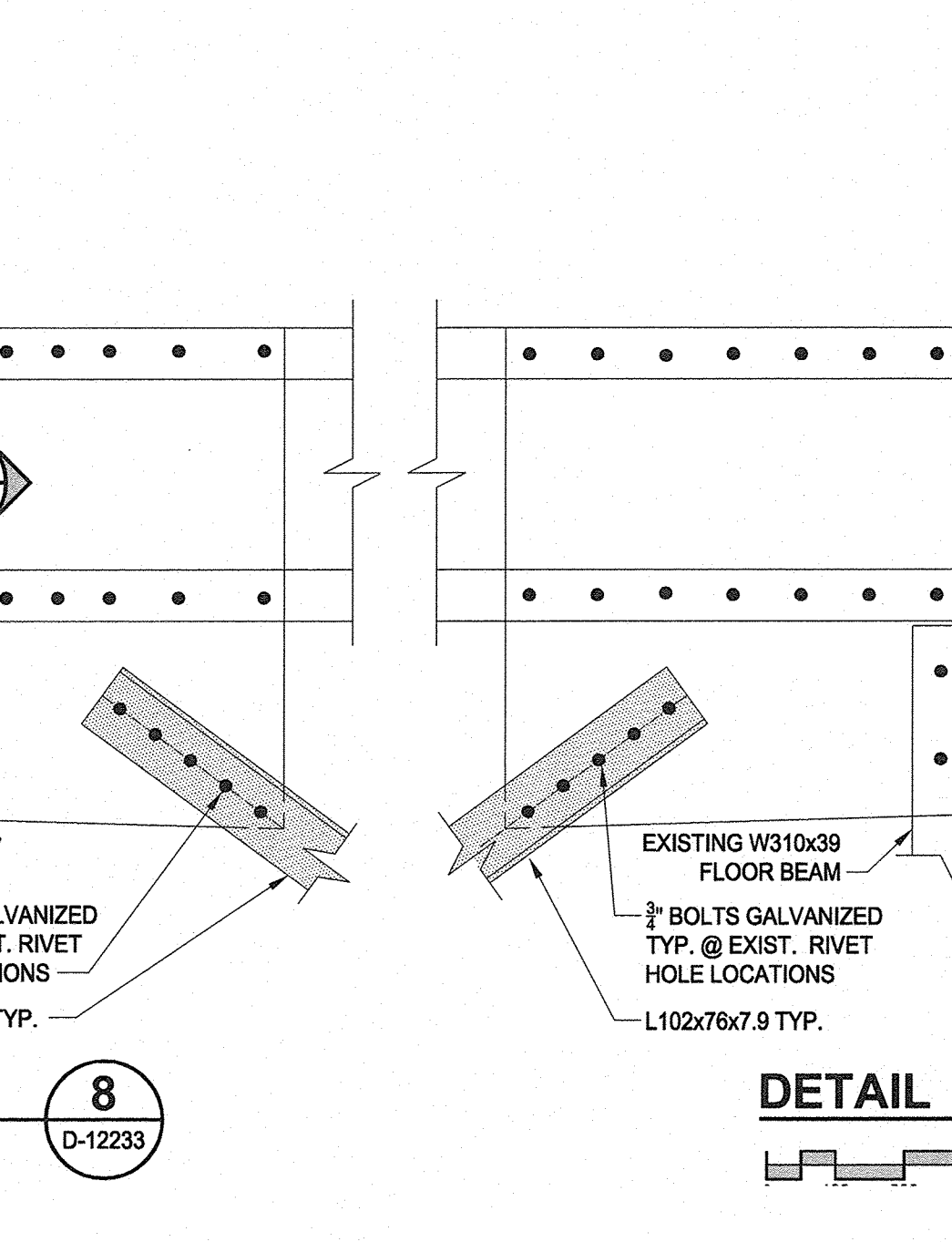
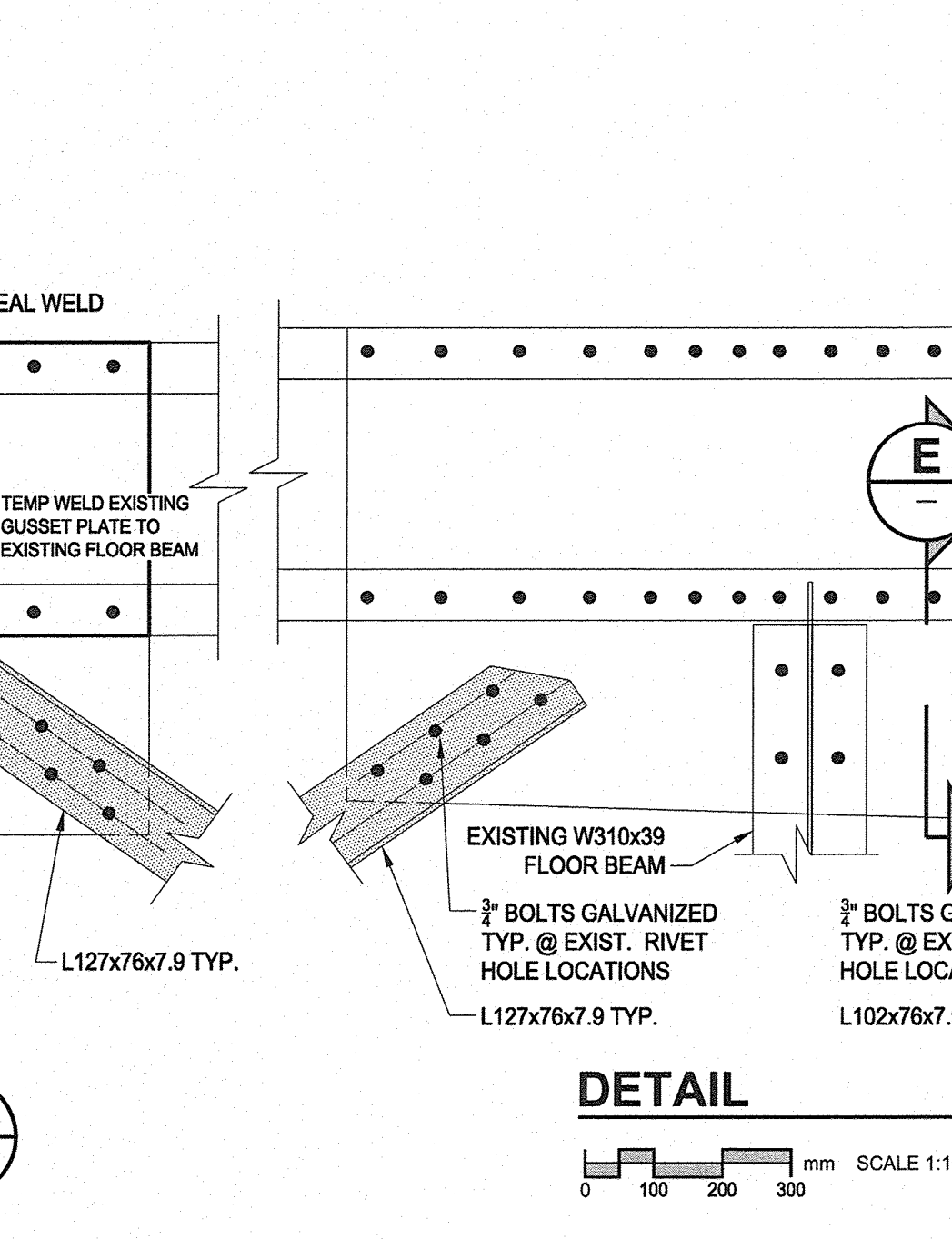
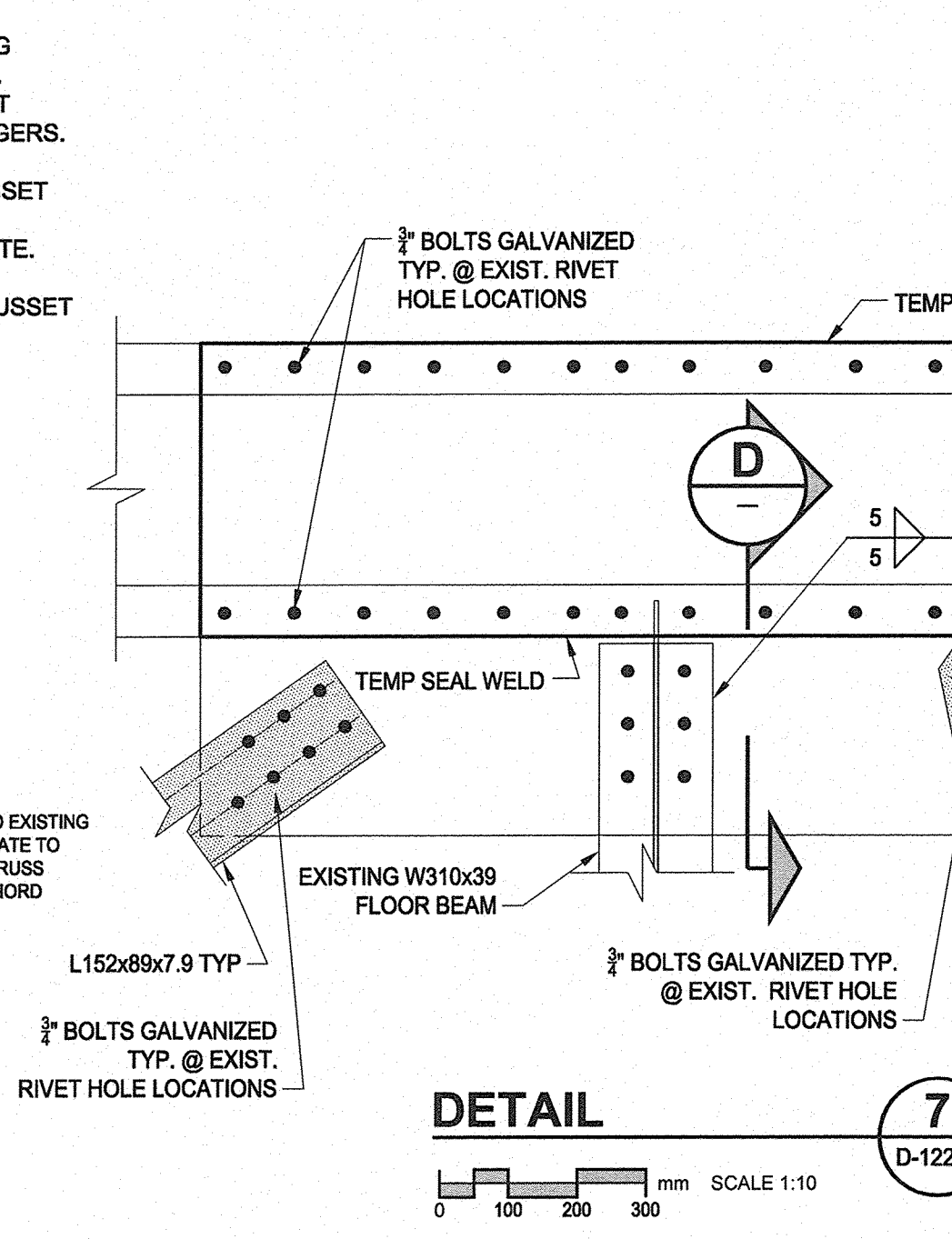


NOTES FOR DETAILS 2, 3, 4 AND 5:

- CONTRACTOR TO VERIFY ALL DIMENSIONS PRIOR TO SITE WORK, INCLUDING LOCATIONS OF ALL RIVET HOLES, PLATE DIMENSIONS, EDGE DISTANCE ETC.
- REPLACE EXISTING RIVETS WITH GALVANIZED A325 BOLTS, JUST SNUG TIGHT. (1 RIVET AT A TIME) EXCEPT FOR CONNECTION OF GUSSET PLATE TO STRINGERS
- ADD TEMPORARY MECHANISM TO KEEP BOLTS IN PLACE AND EXISTING GUSSET PLATE TIGHT TO EXISTING ANGLES WHILE NUTS ARE REMOVED FROM BOLTS
- INSTALL PROPOSED ANGLES AND REINSTALL NUTS, THEN TIGHTEN BOLTS
- REMOVE TEMPORARY MECHANISM

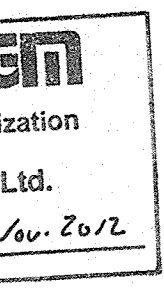
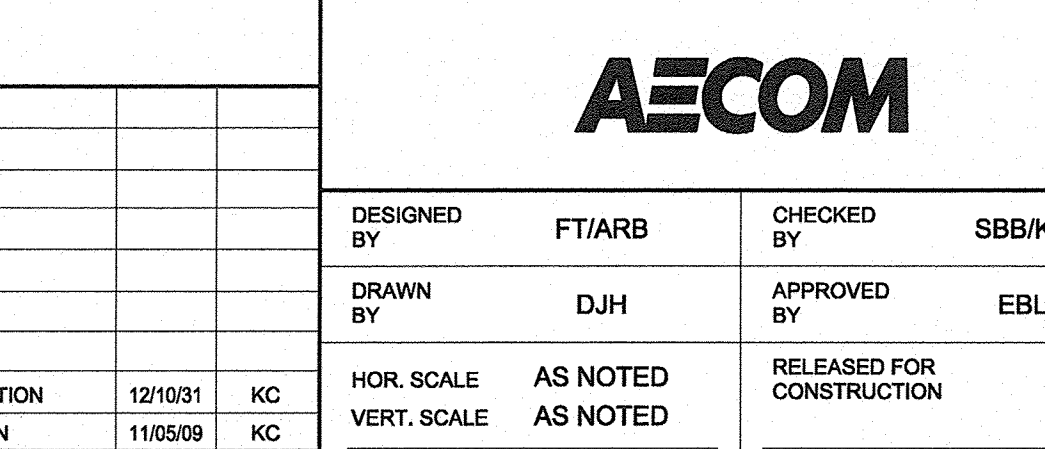
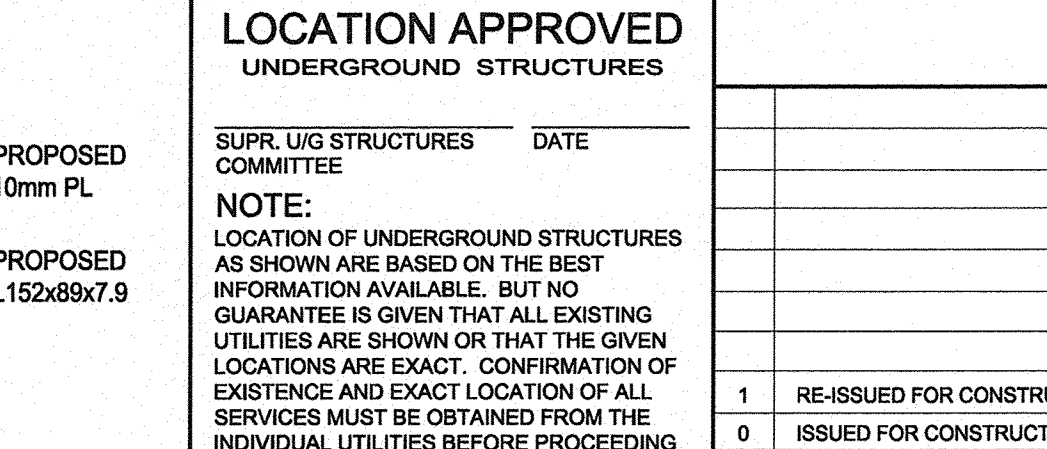
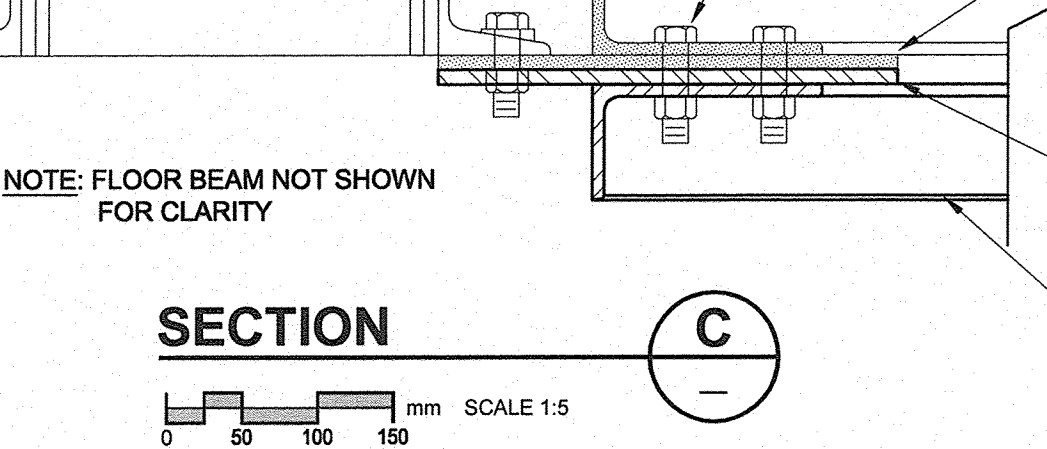
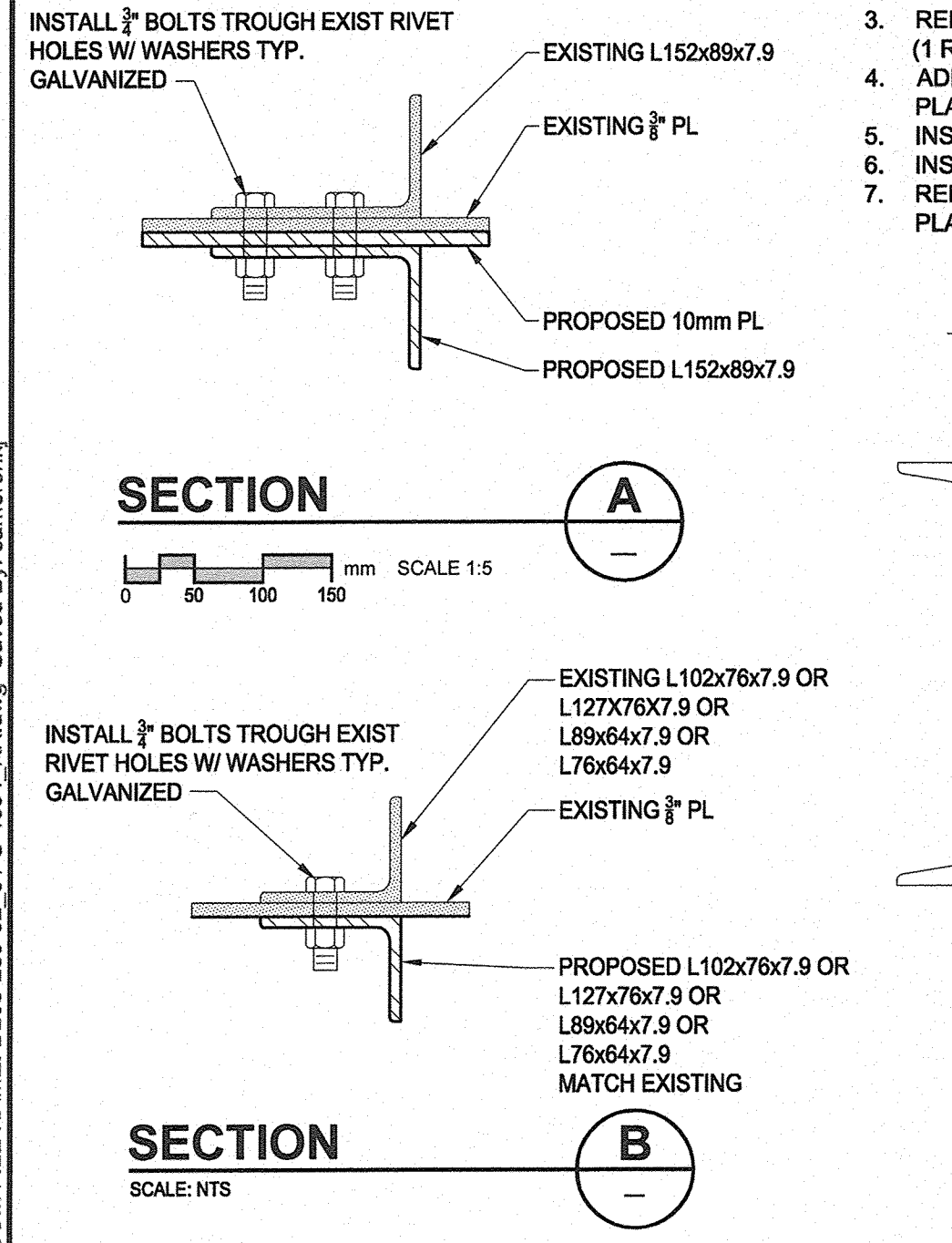
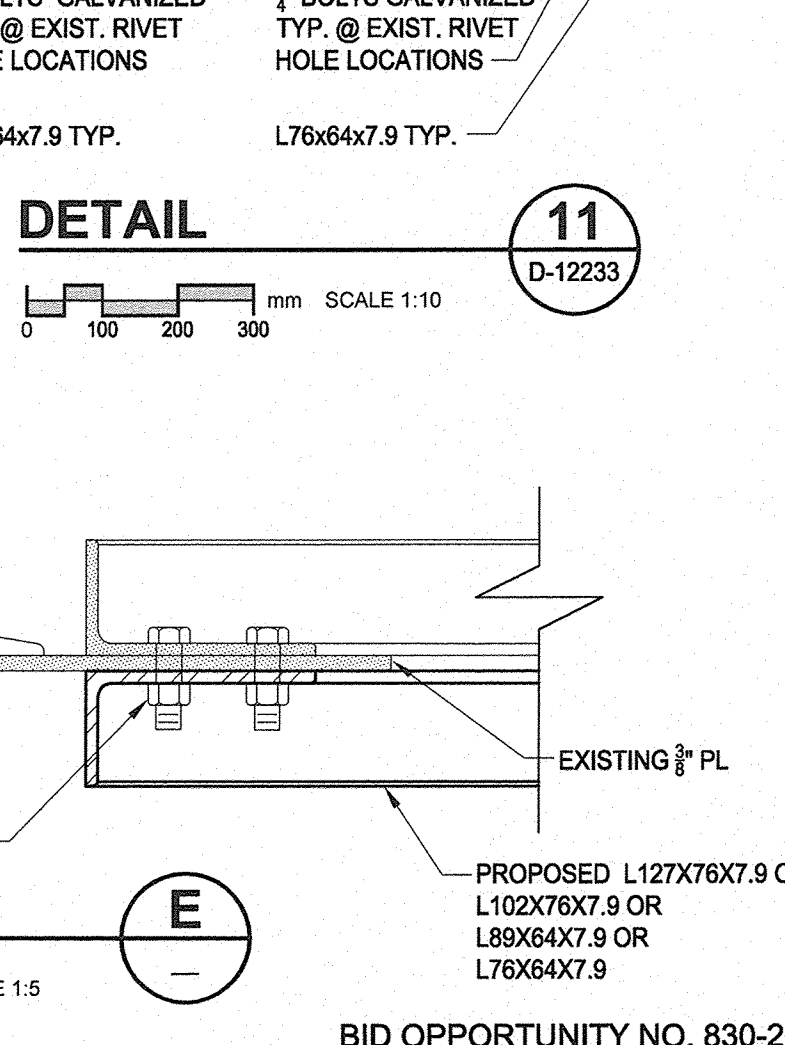
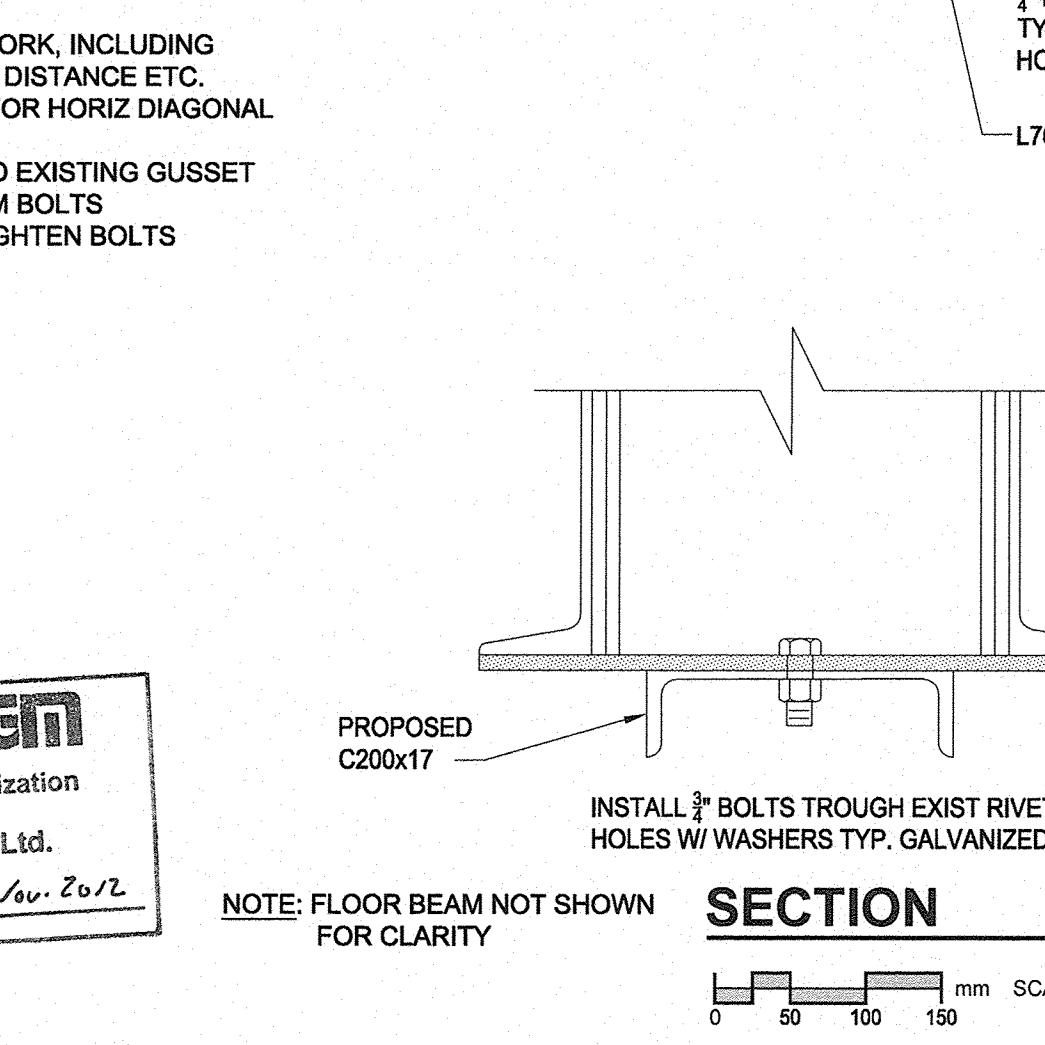
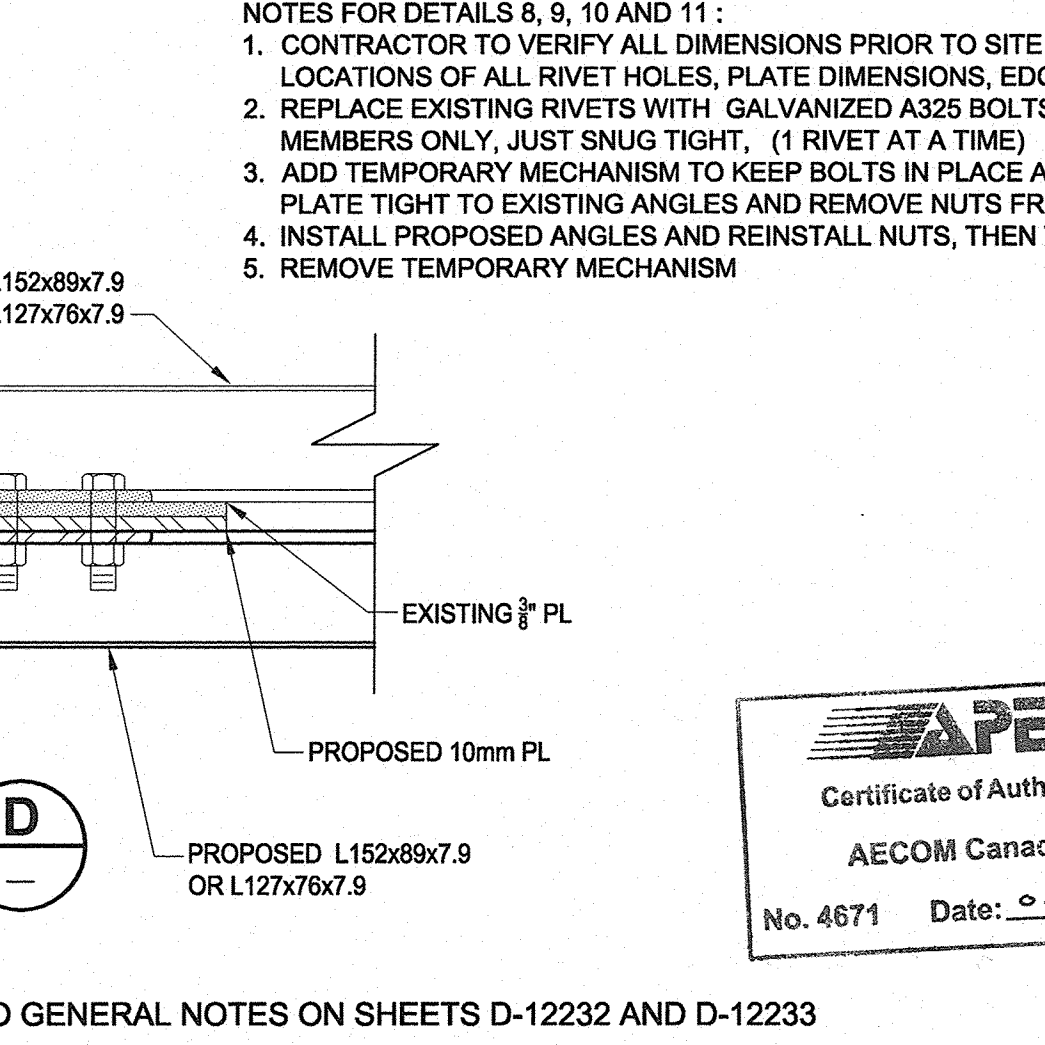
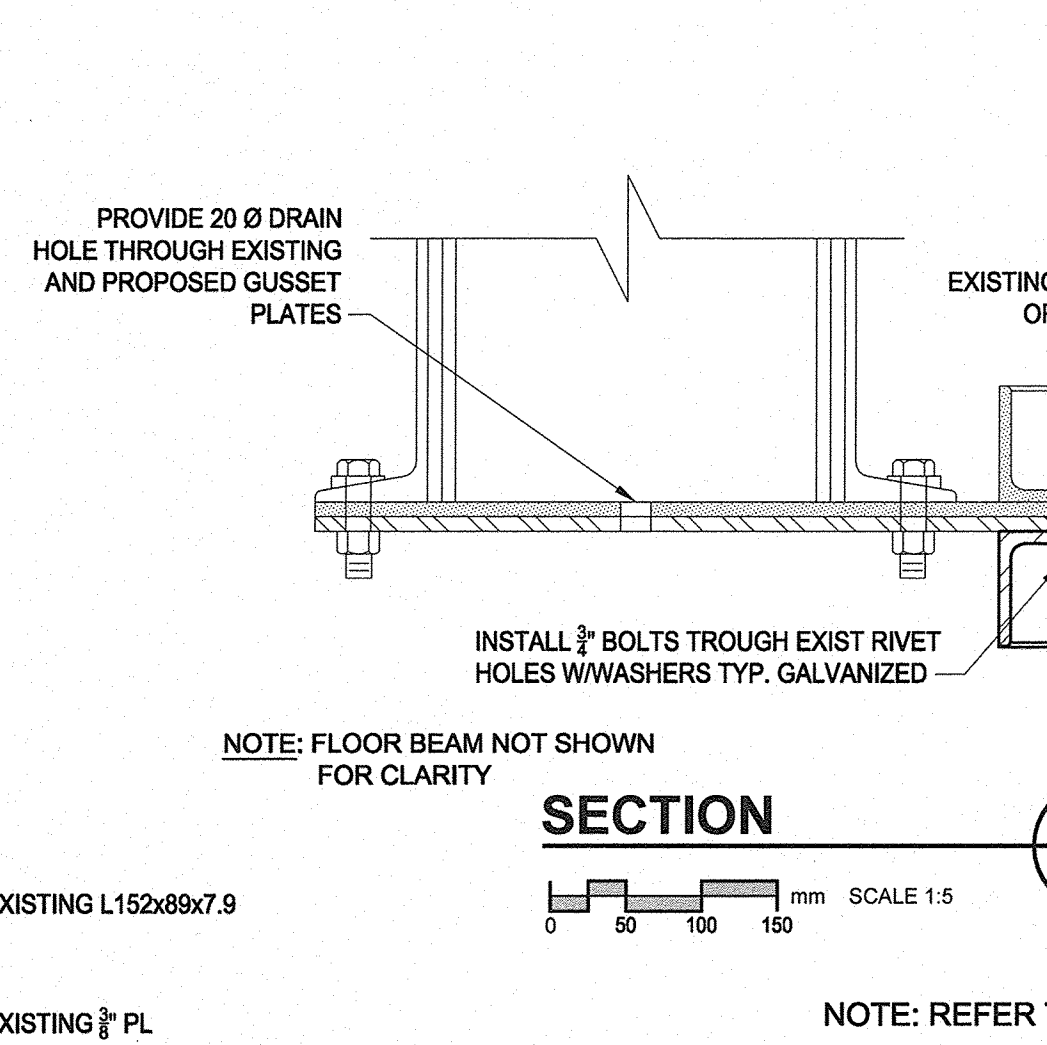
NOTES FOR DETAIL 1:

- CONTRACTOR TO VERIFY ALL DIMENSIONS PRIOR TO SITE WORK, INCLUDING LOCATIONS OF ALL RIVET HOLES, PLATE DIMENSIONS, EDGE DISTANCE ETC.
- REPLACE EXISTING RIVETS WITH GALVANIZED A325 BOLTS JUST SNUG TIGHT (1 RIVET AT A TIME) INCLUDING CONNECTION OF GUSSET PLATES TO STRINGERS.
- TEMP. WELD EXISTING GUSSET PLATE TO EXISTING STRINGER.
- ADD TEMPORARY MECHANISM TO KEEP BOLTS IN PLACE AND EXISTING GUSSET PLATE TIGHT TO EXISTING ANGLES AND REMOVE NUTS FROM BOLTS
- INSTALL ADDITIONAL 10mm PLATE TO UNDERSIDE OF EXISTING GUSSET PLATE.
- INSTALL PROPOSED ANGLES AND REINSTALL NUTS, THEN TIGHTEN BOLTS
- REMOVE TEMPORARY MECHANISM (INCLUDING TEMP. WELD OF EXISTING GUSSET PLATE TO EXISTING STRINGER)



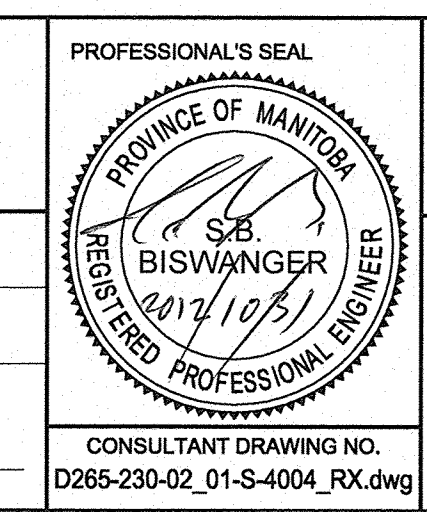
NOTES FOR DETAILS 6 AND 7:

- CONTRACTOR TO VERIFY ALL DIMENSIONS PRIOR TO SITE WORK, INCLUDING LOCATIONS OF ALL RIVET HOLES, PLATE DIMENSIONS, EDGE DISTANCE ETC.
- TEMP WELD EXISTING PLATE TO EXISTING FLOOR BEAM AND BOTTOM CHORD.
- REPLACE EXISTING RIVETS WITH GALVANIZED A325 BOLTS, JUST SNUG TIGHT (1 RIVET AT A TIME)
- ADD TEMPORARY MECHANISM TO KEEP BOLTS IN PLACE AND EXISTING GUSSET PLATE TIGHT TO EXISTING ANGLES AND REMOVE NUTS FROM BOLTS
- INSTALL ADDITIONAL 10mm PLATE TO UNDERSIDE OF EXISTING GUSSET PLATE.
- INSTALL PROPOSED ANGLES AND REINSTALL NUTS, THEN TIGHTEN BOLTS
- REMOVE TEMPORARY MECHANISM (INCLUDING TEMP WELDS OF EXISTING GUSSET PLATE TO EXISTING FLOOR BEAM AND BOTTOM CHORD)



LOCATION APPROVED UNDERGROUND STRUCTURES			
SUPR. U/G STRUCTURES	DATE	COMMITTEE	
1	RE-ISSUED FOR CONSTRUCTION	12/10/31	KC
0	ISSUED FOR CONSTRUCTION	11/05/09	KC
NO.	REVISIONS	YYMMDD	BY

AECOM			
DESIGNED BY	FT/ARB	CHECKED BY	SBB/KC
DRAWN BY	DJH	APPROVED BY	EBL
HOR. SCALE	AS NOTED	RELEASED FOR CONSTRUCTION	
VERT. SCALE	AS NOTED	DATE	



THE CITY OF WINNIPEG
WATER AND WASTE DEPARTMENT
 REHABILITATION / REPLACEMENT OF THE
 MIDTOWN FEEDERMAIN AT THE
 AT ASSINBOINE RIVER
 STRUCTURAL
 DETAILS II

SHEET 9 OF 19
 CITY DRAWING NUMBER
D-12235
 REV 1

BID OPPORTUNITY NO. 830-2012