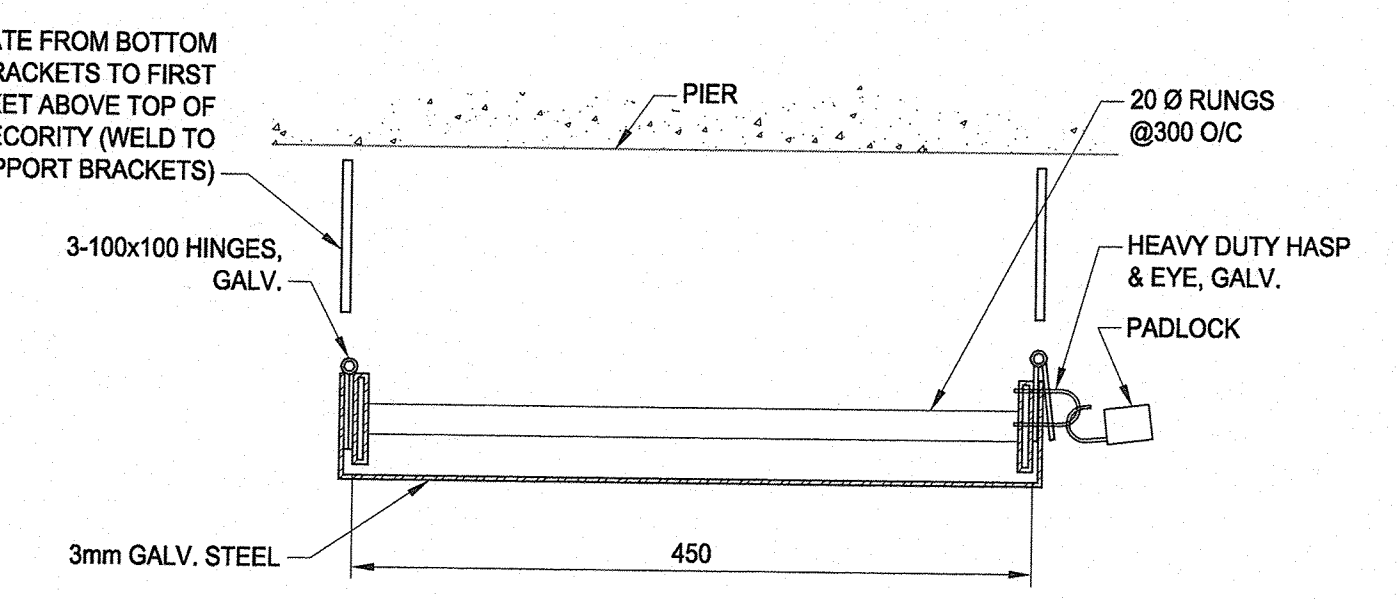
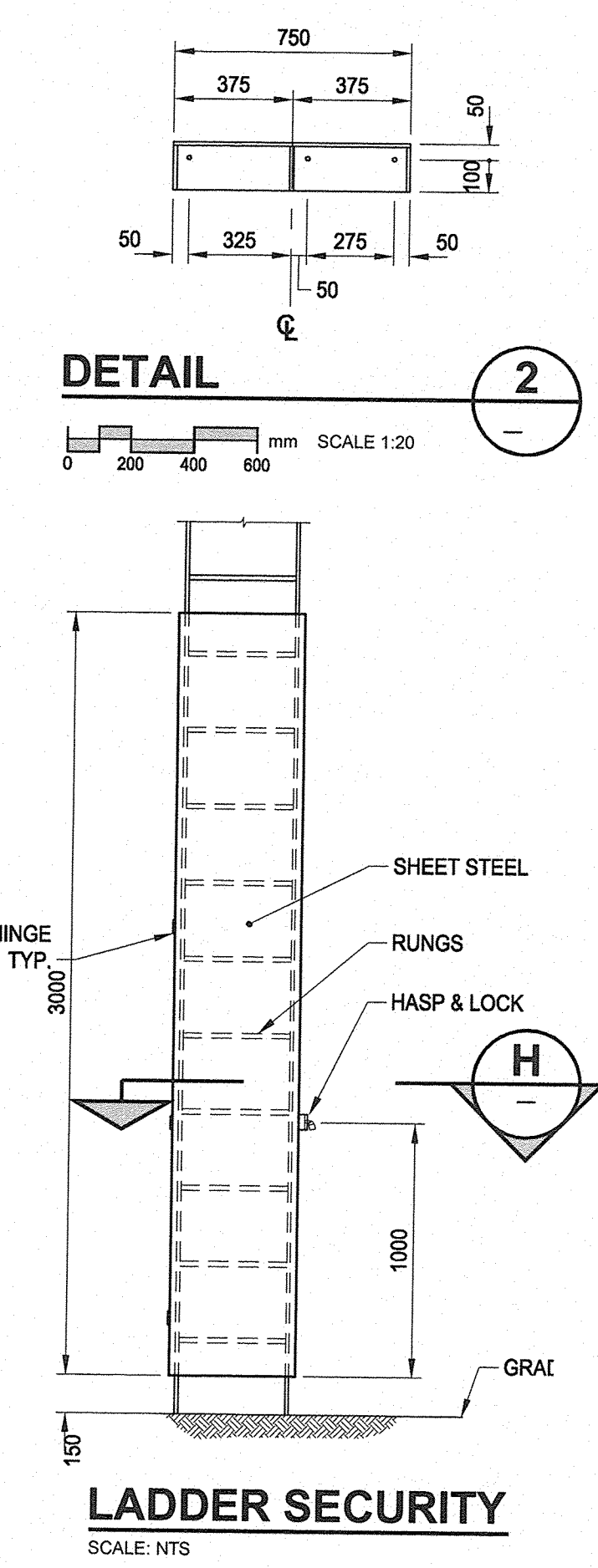
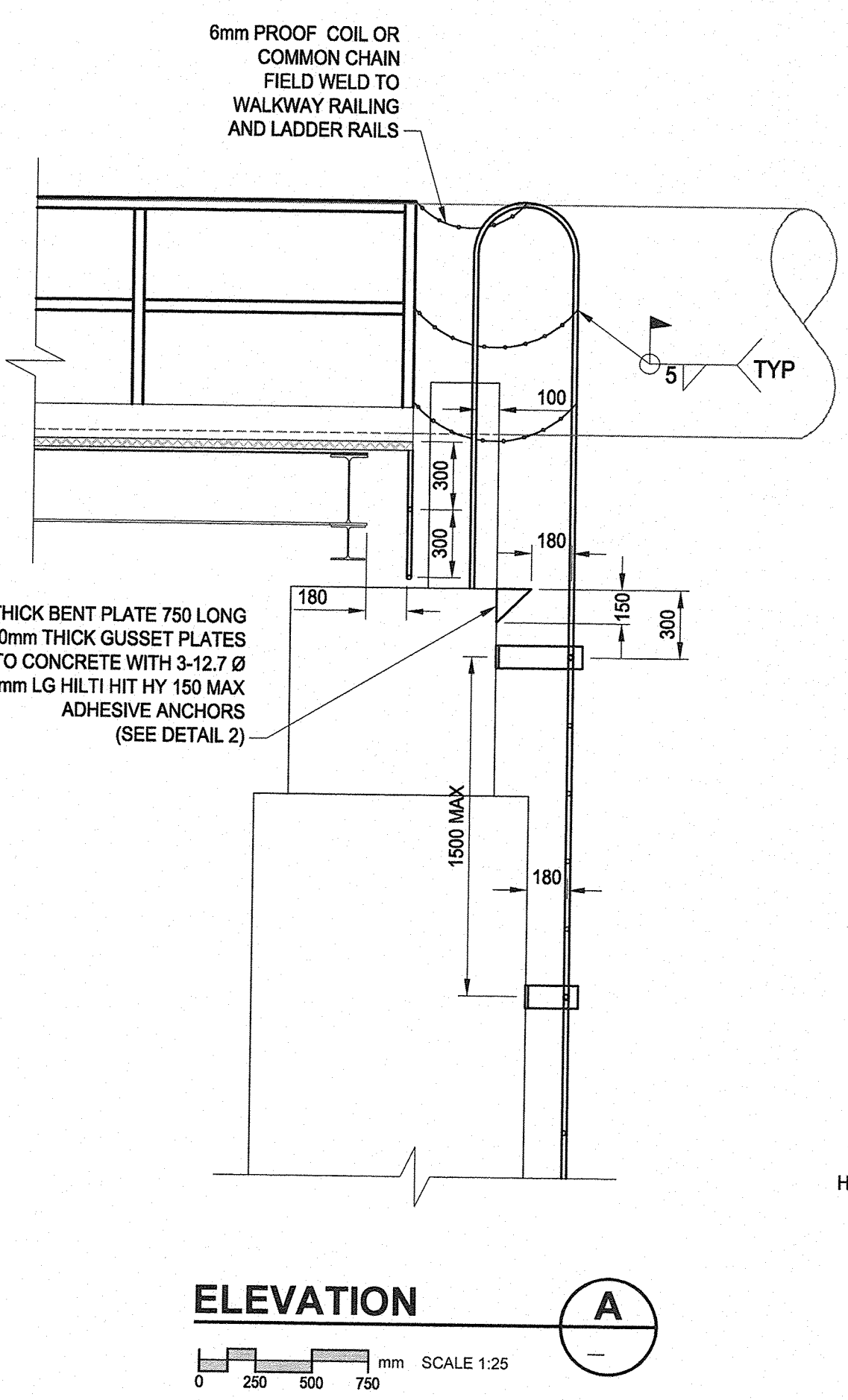
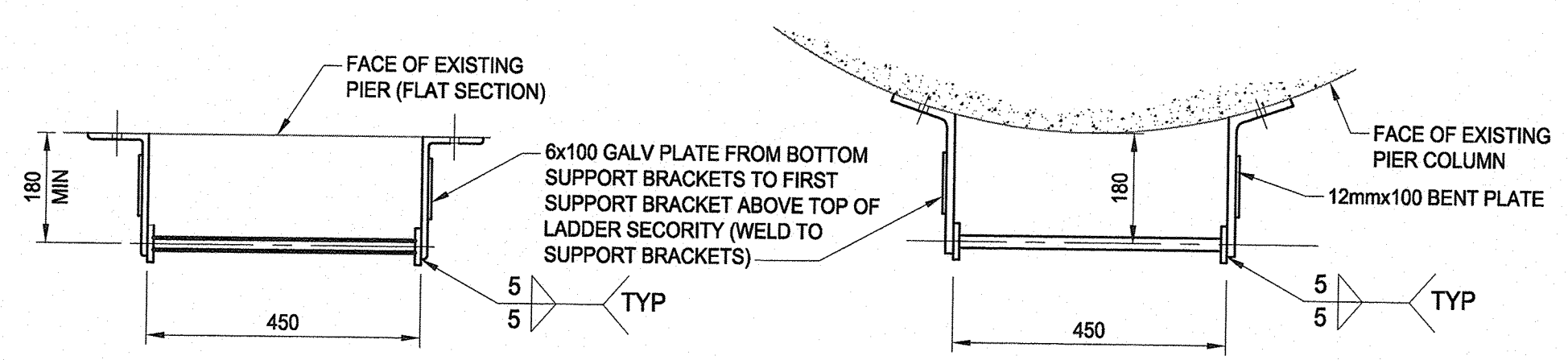
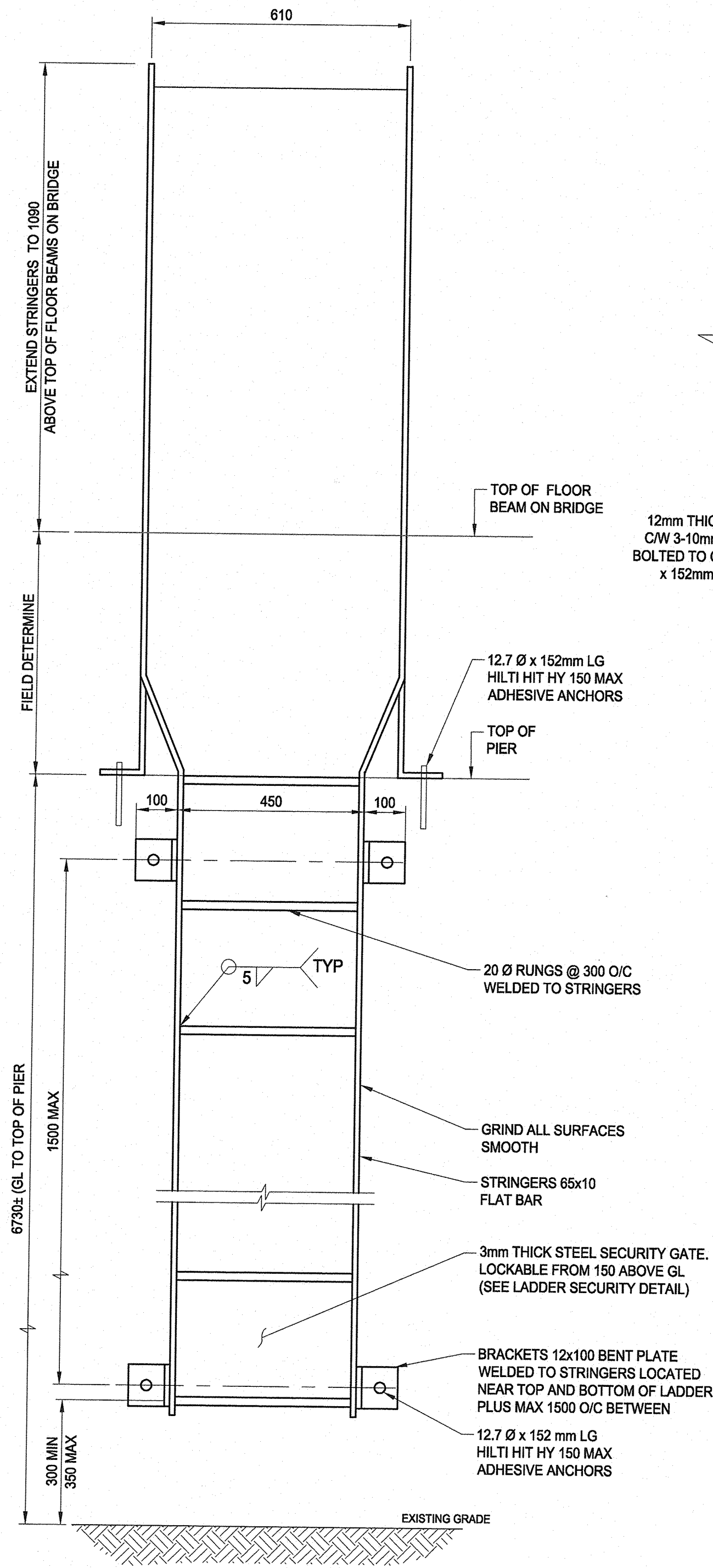
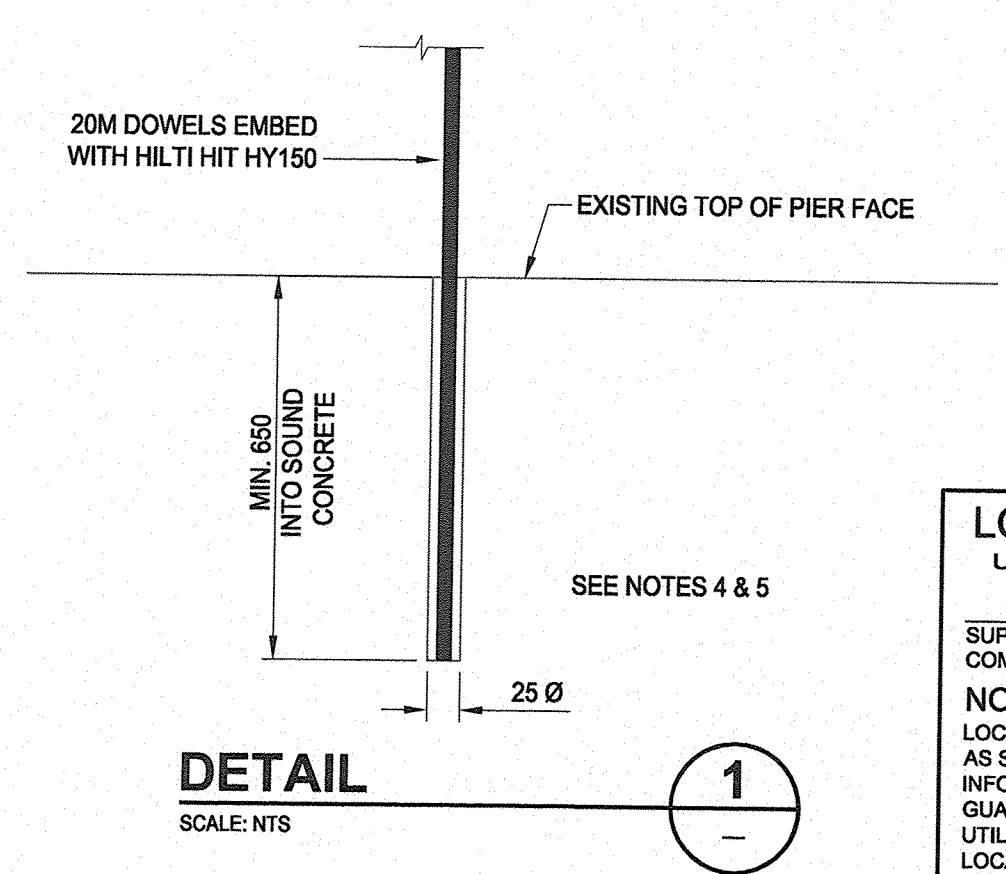
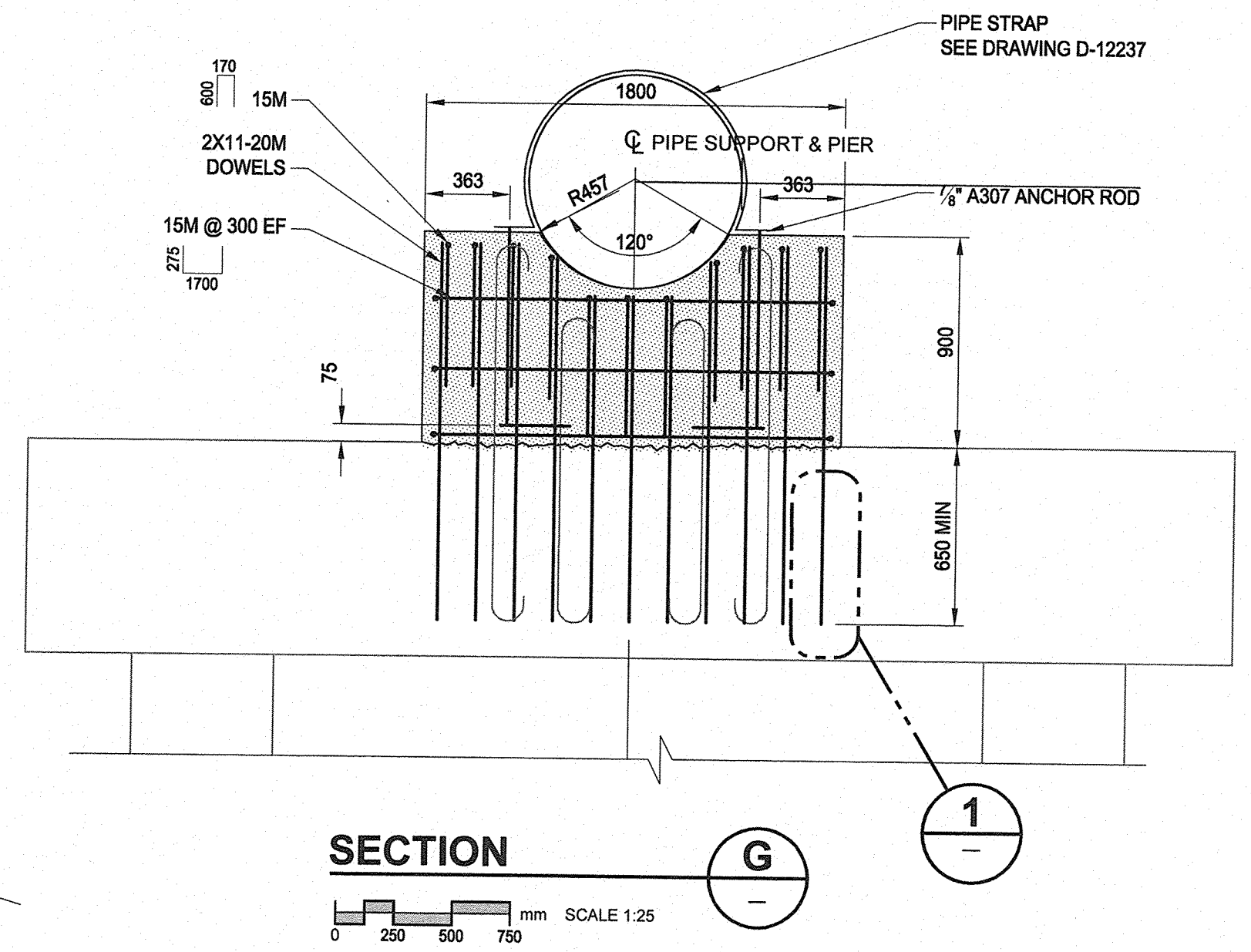
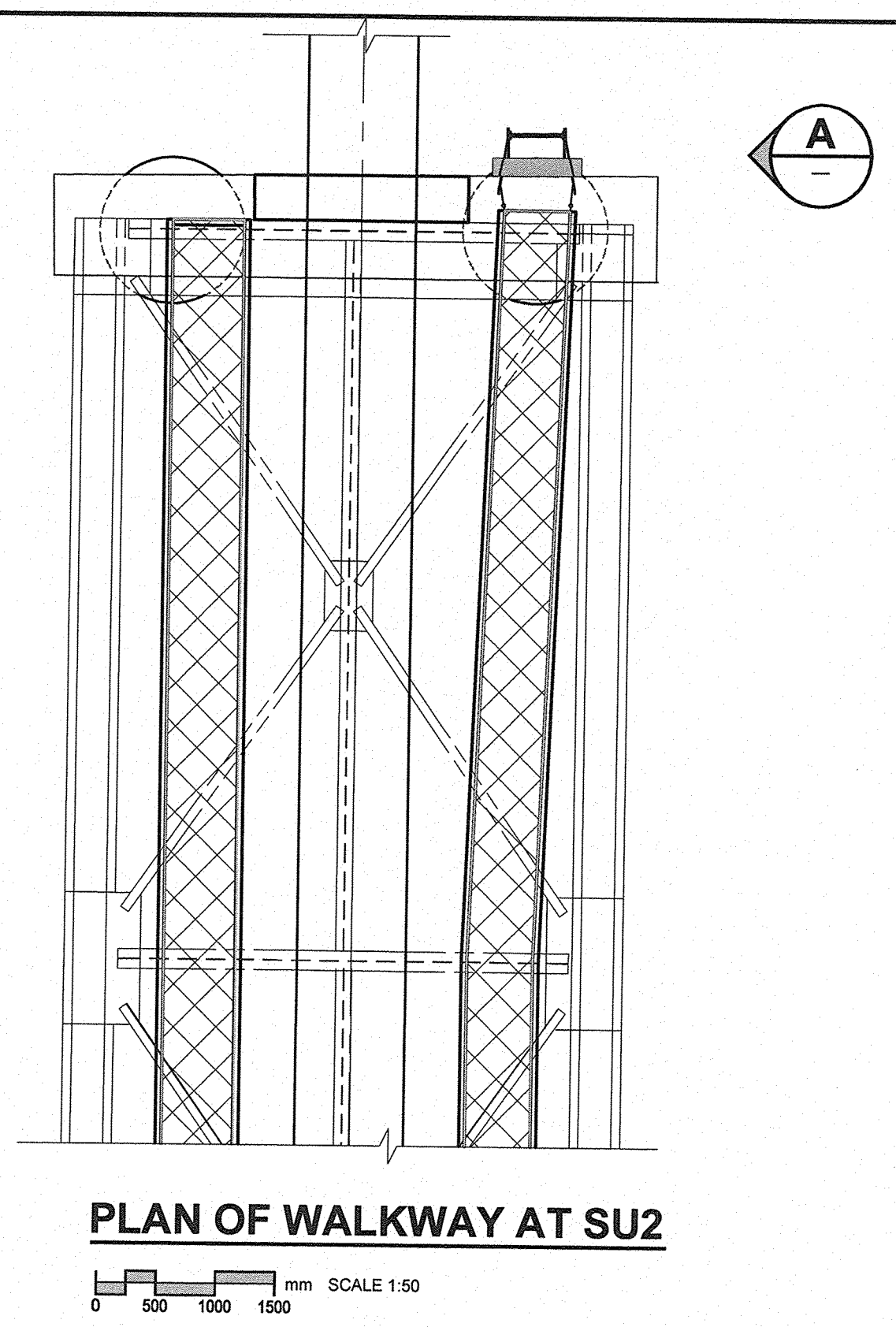
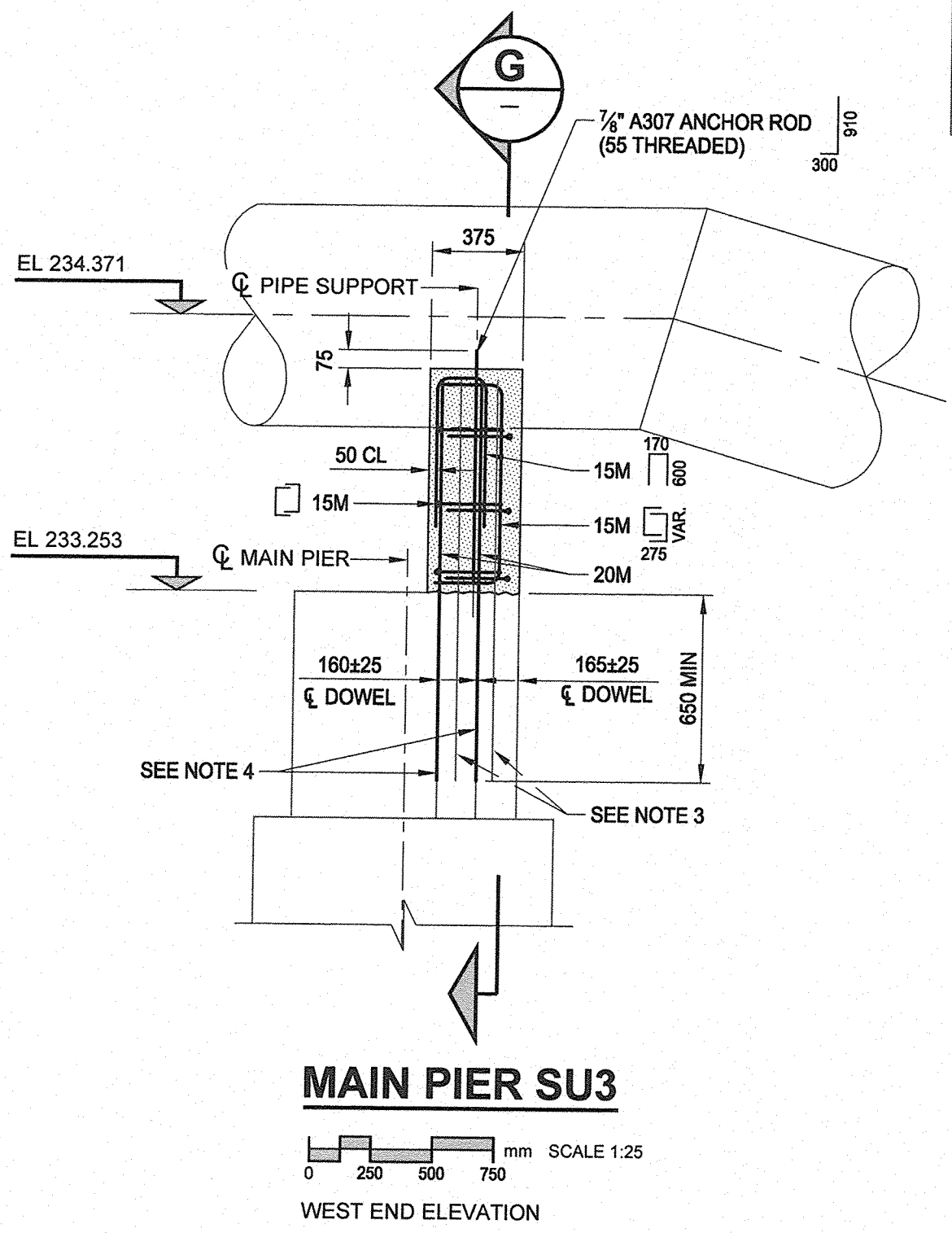
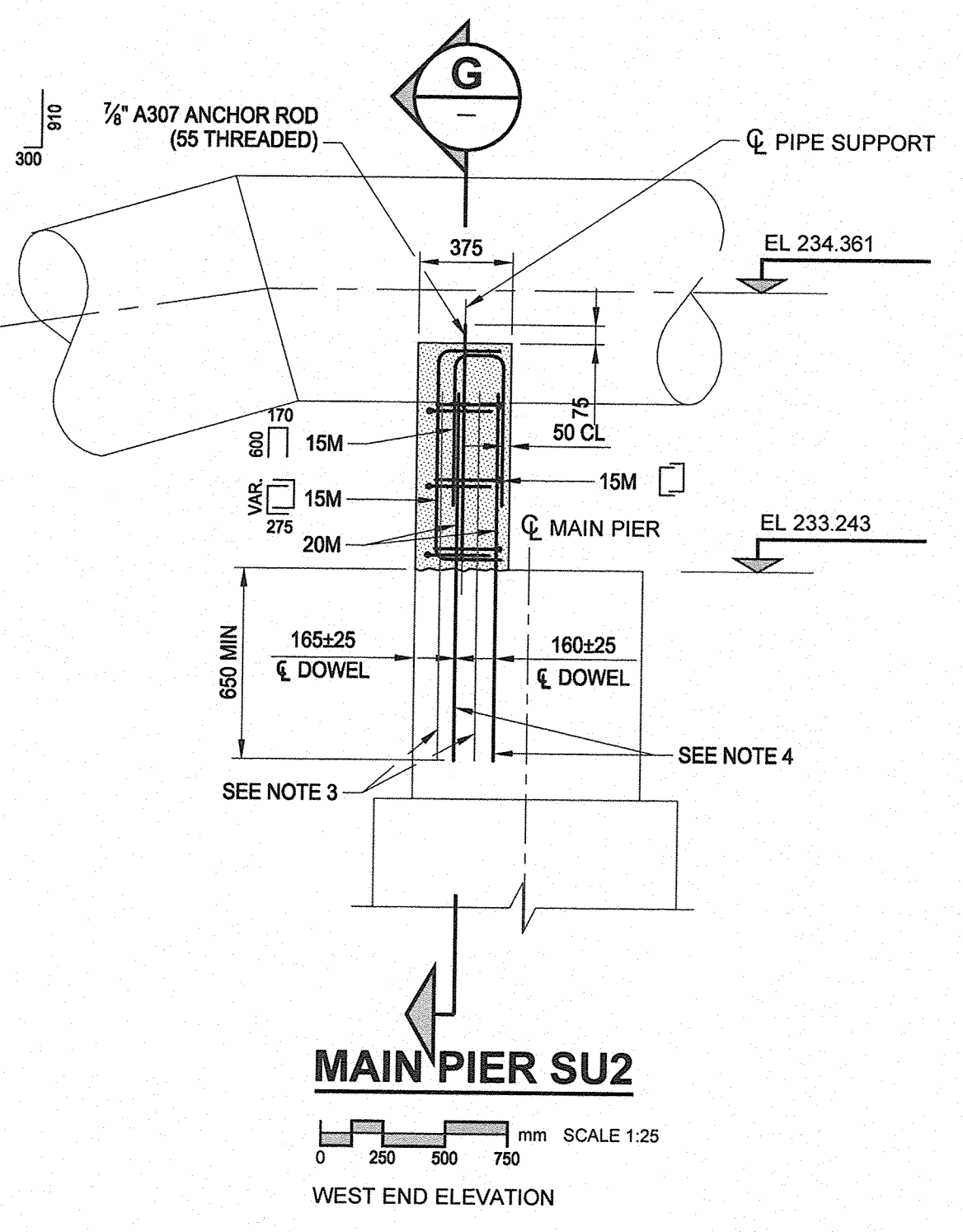
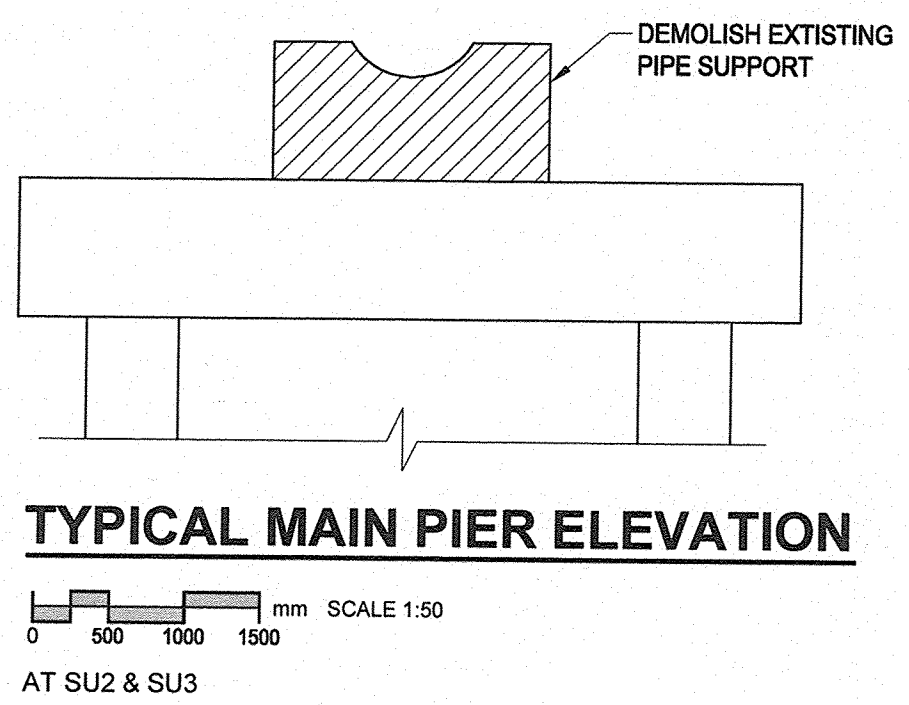


D SIZE 22" x 34" (559mm x 864mm) PLOT: 10/31/2012 9:45:54 AM AECOM FILE NAME: D265-230-02_01-S-4005_RX.dwg Saved By: cameroni.kj



- NOTES:
- ALL CONCRETE SHALL BE f_c=35 MPa AT 28 DAYS DESIGNED FOR C-1 EXPOSURE.
 - ALL REINFORCING STEEL SHALL HAVE A 50x10mm CLEAR COVER UNLESS NOTED OTHERWISE.
 - CUT THE EXISTING REINFORCING DURING EXISTING PIPE SADDLE REMOVAL.
 - ANCHOR DOWELS AT MINIMUM OF 50mm OFFSET FROM EACH OF EXISTING TRANSVERSE REINFORCING. INSTALL DOWELS IN ACCORDANCE WITH MANUFACTURER'S INSTRUCTIONS. HOLES MUST BE DRILLED WITH HILTI ROTARY HAMMER DRILLS OR IF CORE DRILLED THEY MUST BE CONDITIONED WITH HILTI CONDITIONING BITS.
 - THE CHAINS SHALL BE LONG ENOUGH TO ALLOW A 200mm LONGITUDINAL MOVEMENT OF THE BRIDGE.

LOCATION APPROVED UNDERGROUND STRUCTURES

SUPR. U/G STRUCTURES COMMITTEE DATE

NOTE: LOCATION OF UNDERGROUND STRUCTURES AS SHOWN ARE BASED ON THE BEST INFORMATION AVAILABLE. BUT NO GUARANTEE IS GIVEN THAT ALL EXISTING UTILITIES ARE SHOWN OR THAT THE GIVEN LOCATIONS ARE EXACT. CONFIRMATION OF EXISTENCE AND EXACT LOCATION OF ALL SERVICES MUST BE OBTAINED FROM THE INDIVIDUAL UTILITIES BEFORE PROCEEDING WITH CONSTRUCTION.

NO.	REVISIONS	DATE	BY
1	RE-ISSUED FOR CONSTRUCTION	12/10/31	KC
0	ISSUED FOR CONSTRUCTION	11/05/09	KC
		YYMMDD	BY

AECOM

DESIGNED BY	FT/ARB	CHECKED BY	SBB/KC
DRAWN BY	DJH	APPROVED BY	EBL
HOR. SCALE	AS NOTED	RELEASED FOR CONSTRUCTION	
VERT. SCALE	AS NOTED	DATE	

PROFESSIONAL'S SEAL

PROVINCE OF MANITOBA

REGISTERED PROFESSIONAL ENGINEER

S. BISWANGER

2012/07/31

CONSULTANT DRAWING NO. D265-230-02_01-S-4005_RX.dwg

APECM
Certificate of Authorization
AECOM Canada Ltd.
No. 4671 Date: 01/11/2012

THE CITY OF WINNIPEG WATER AND WASTE DEPARTMENT

REHABILITATION / REPLACEMENT OF THE MIDTOWN FEEDERMAIN AT THE ASSINBOINE RIVER

STRUCTURAL
CONCRETE PIER SU2 & SU3 WORK

SHEET 10 OF 19
CITY DRAWING NUMBER
REV
D-12236 1

NOTE: REFER TO GENERAL NOTES ON SHEETS D-12232 AND D-12233

BID OPPORTUNITY NO. 830-2012