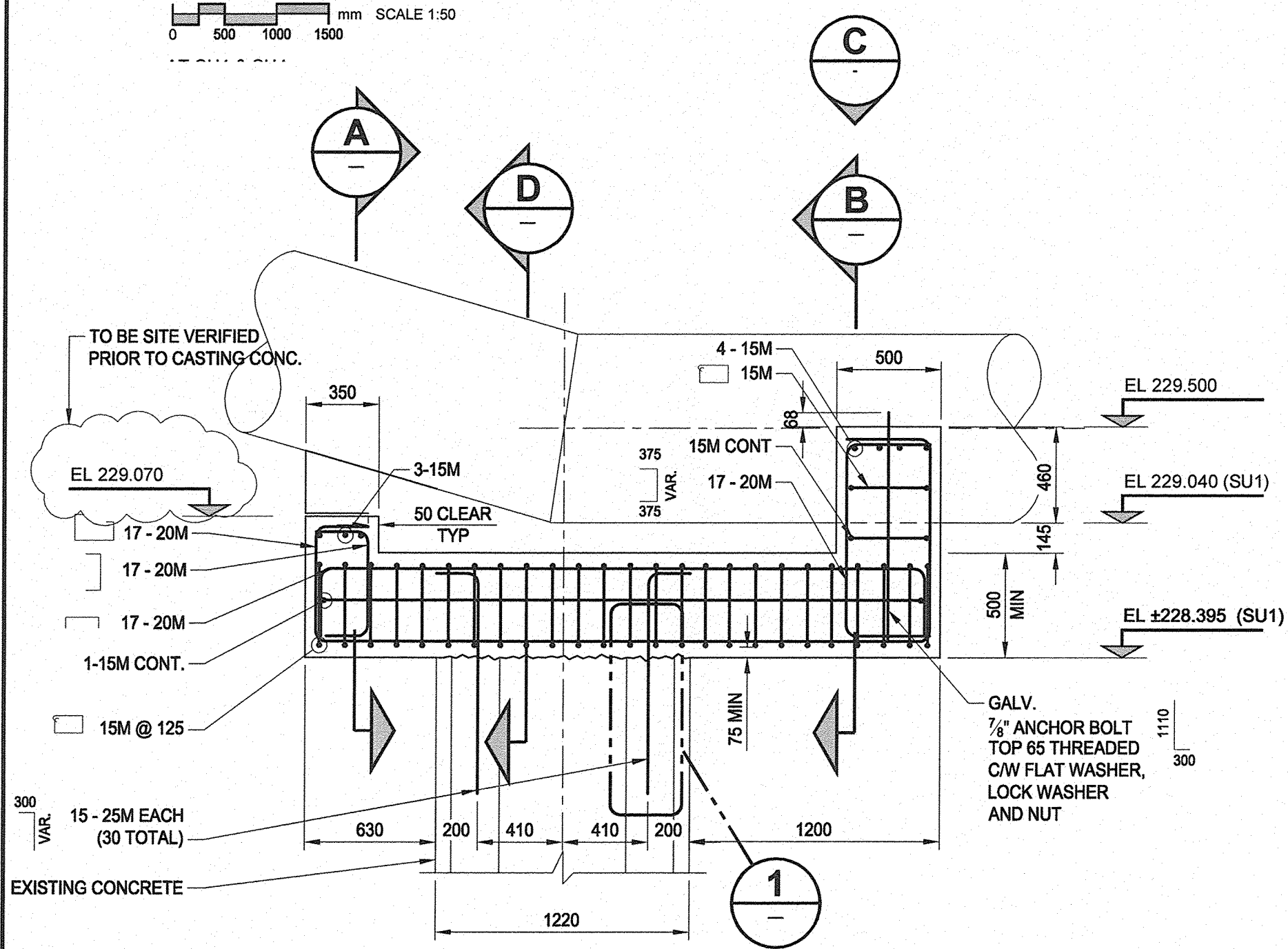


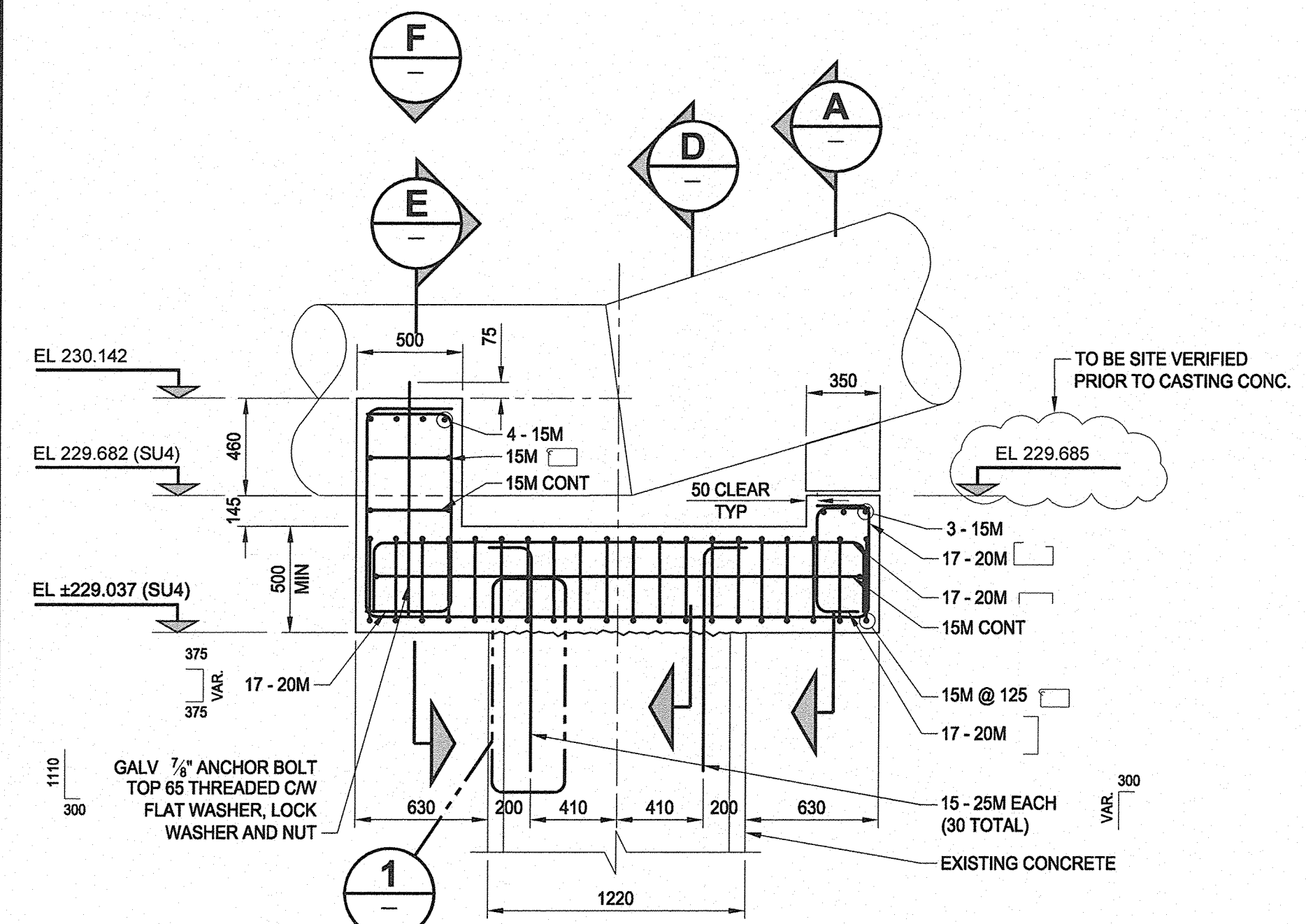
TYPICAL SHORE PIER ELEVATION

SCALE 1:50



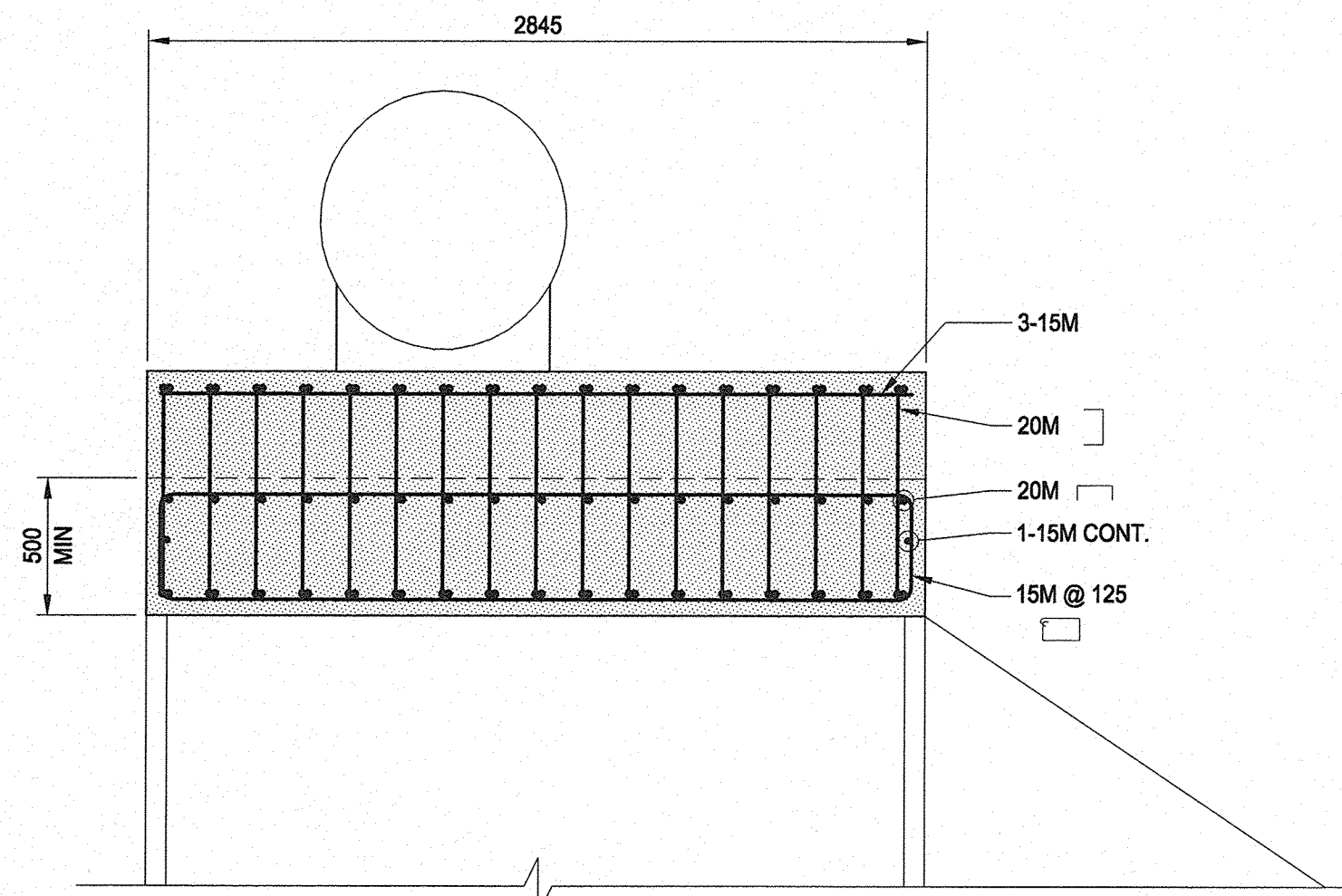
SHORE PIER SU1

SCALE 1:25
 EAST END ELEVATION



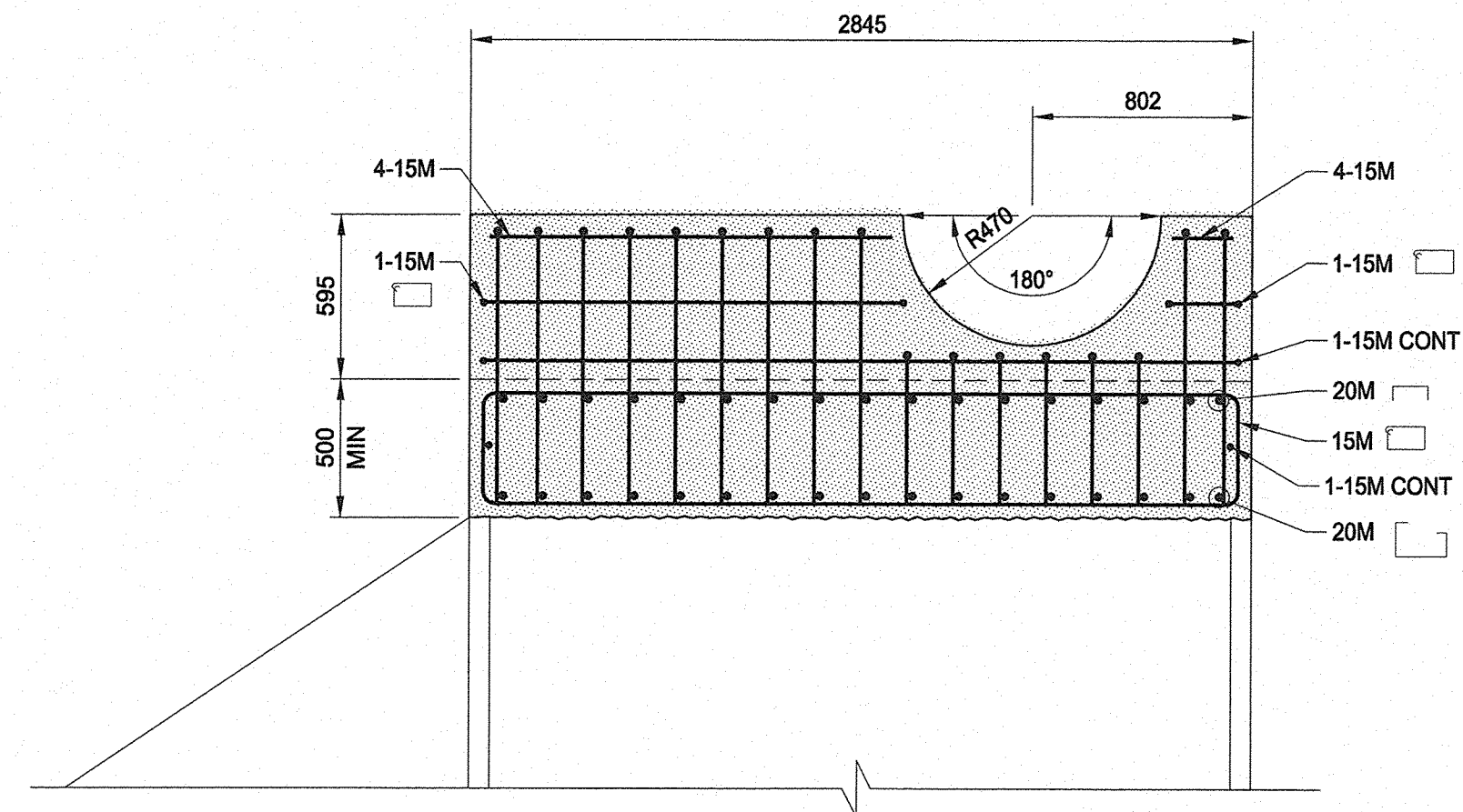
SHORE PIER SU4

SCALE 1:25
 EAST END ELEVATION



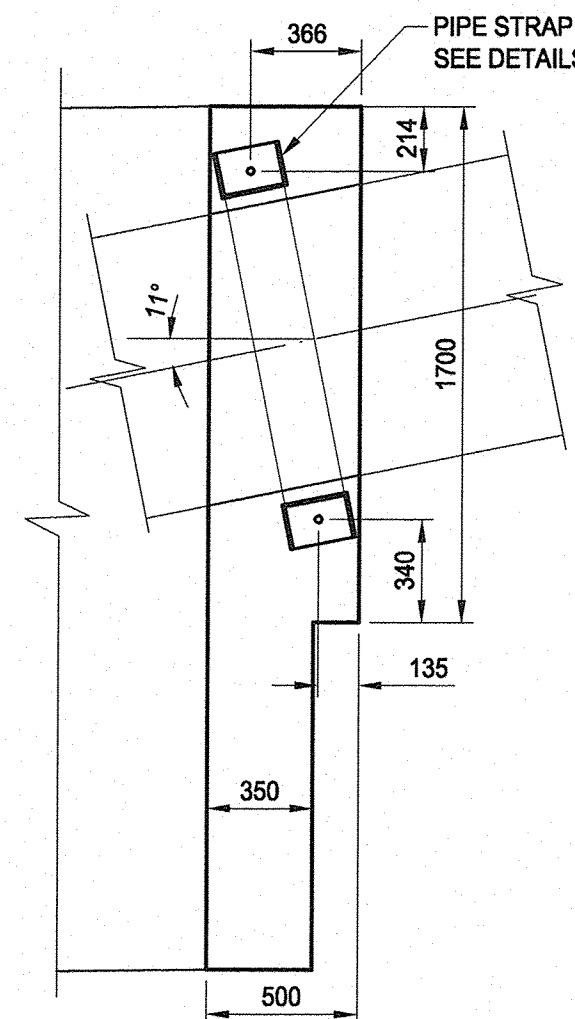
SECTION A

SCALE 1:25



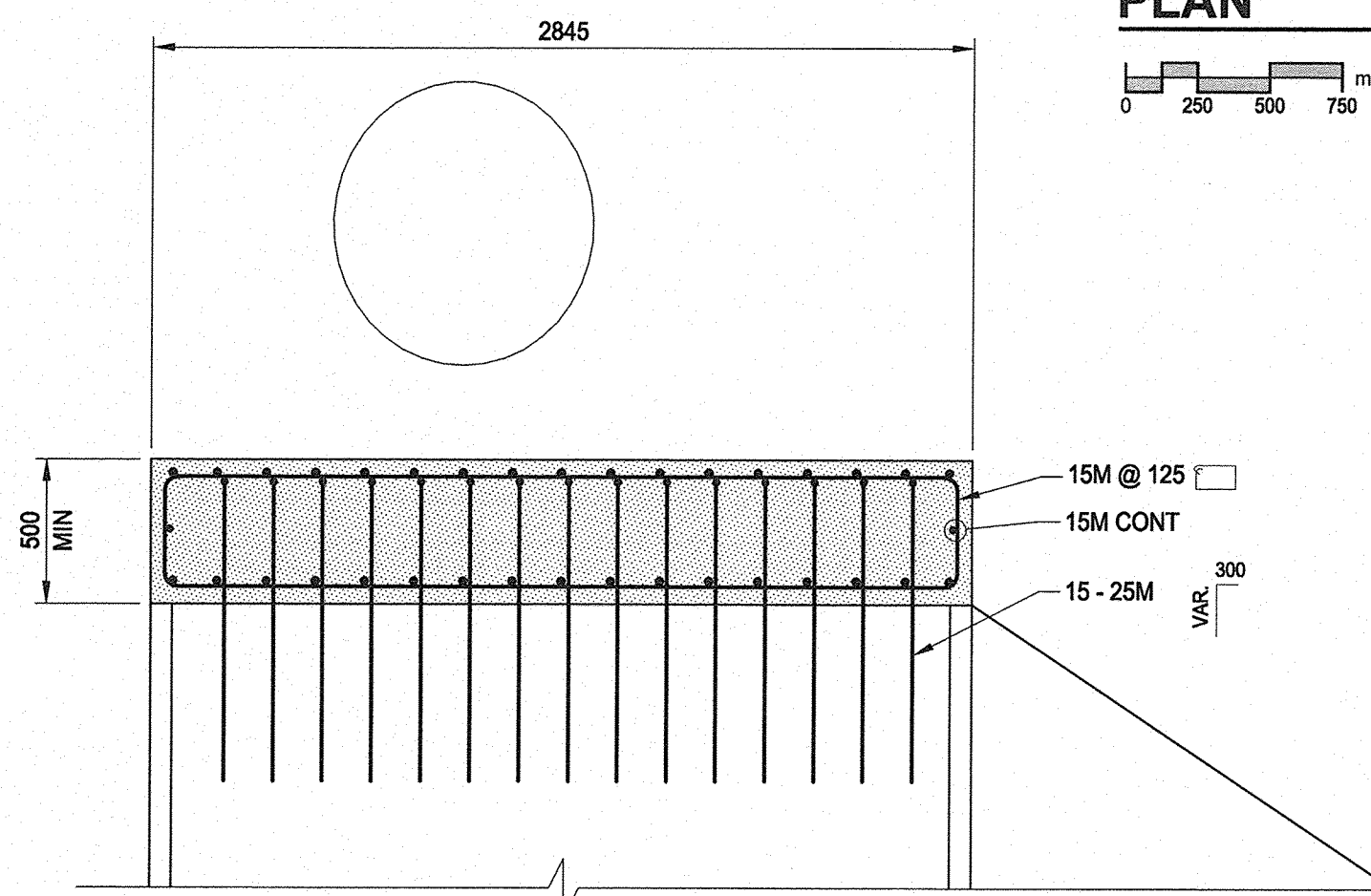
SECTION B

SCALE 1:25



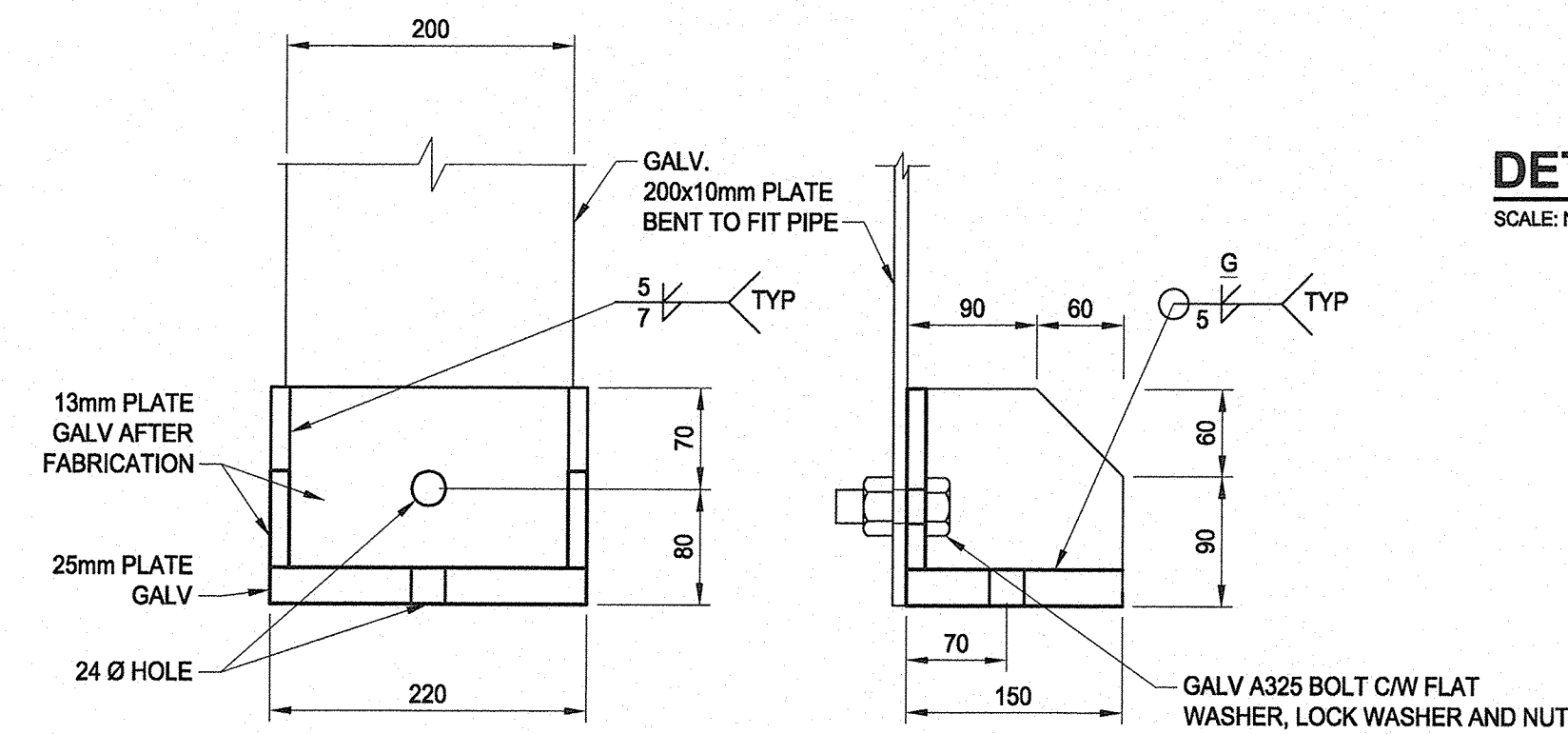
PLAN C

SCALE 1:25



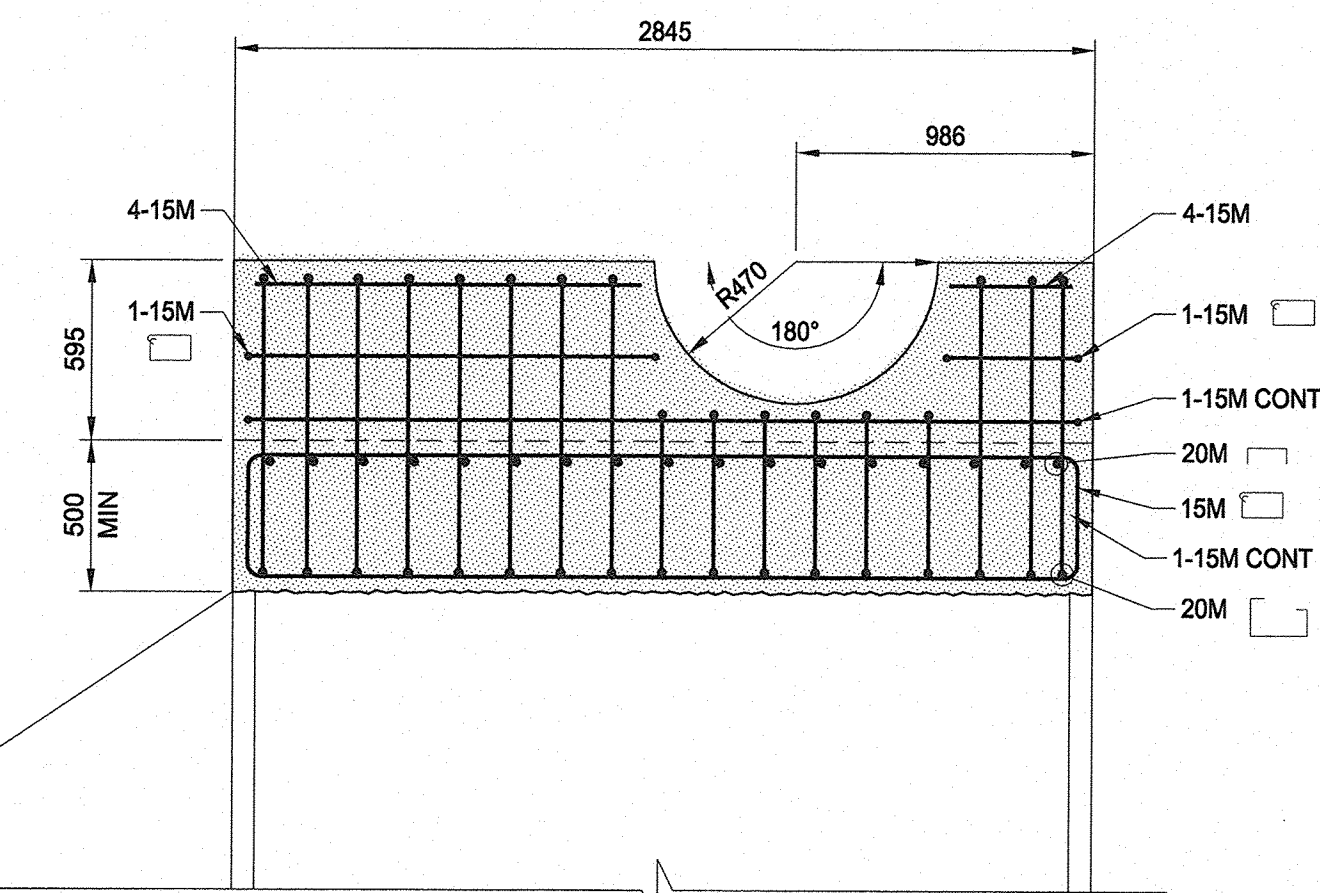
SECTION D

SCALE 1:25



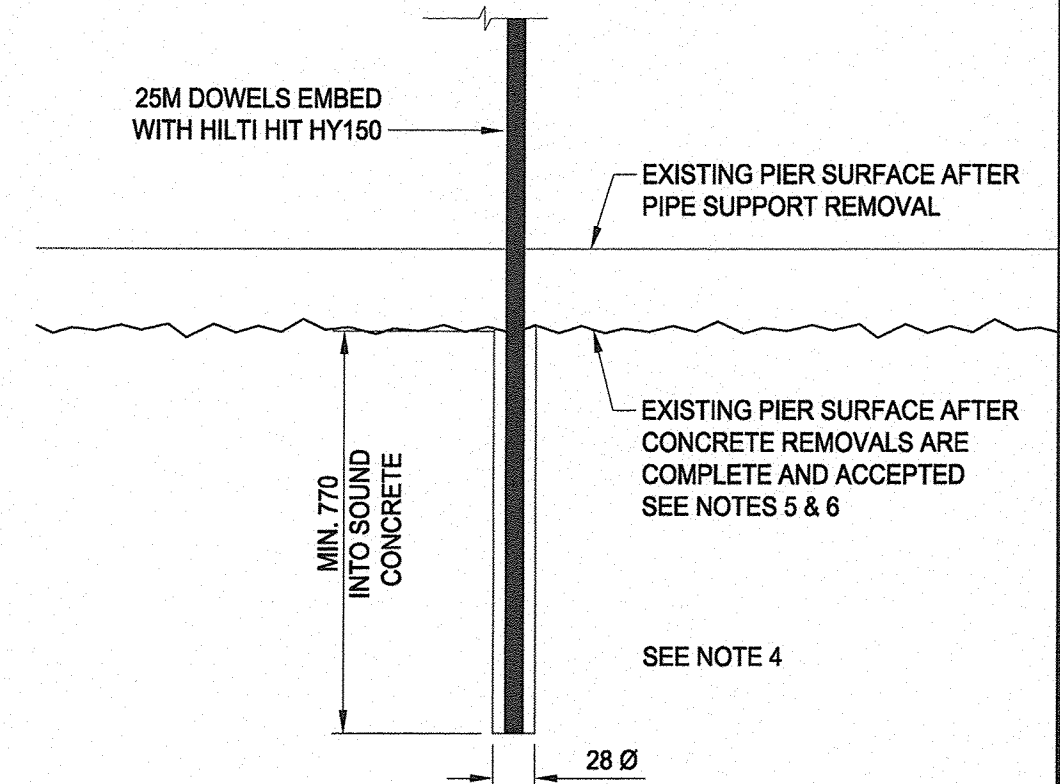
PIPE STRAP DETAILS

SCALE 1:5



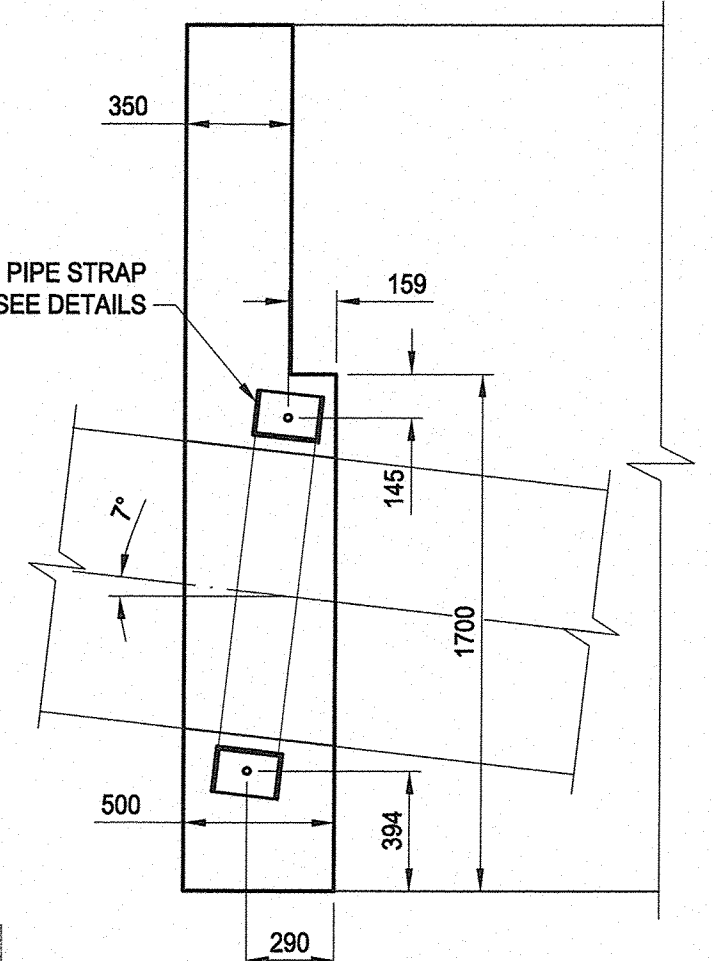
SECTION E

SCALE 1:25



DETAIL 1

SCALE: NTS



PLAN F

SCALE 1:25

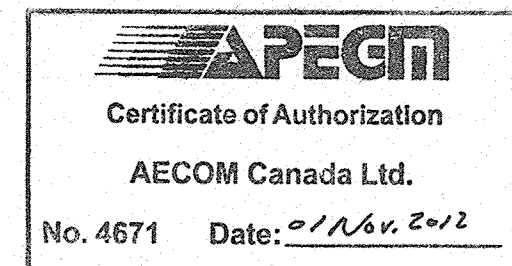
SEE NOTE 4

EXISTING PIER SURFACE AFTER CONCRETE REMOVALS ARE COMPLETE AND ACCEPTED SEE NOTES 5 & 6

25M DOWELS EMBED WITH HILTI HIT HY150

EXISTING PIER SURFACE AFTER PIPE SUPPORT REMOVAL

- NOTE:
1. ALL CONCRETE SHALL BE $f_c=35$ MPa AT 28 DAYS DESIGNED FOR C-1 EXPOSURE.
 2. ALL REINFORCING STEEL SHALL HAVE A 50±10mm CLEAR COVER UNLESS NOTED OTHERWISE.
 3. CUT THE EXISTING REINFORCING DURING EXISTING PIPE SAUPPORT REMOVAL
 4. ANCHOR DOWELS AT MINIMUM OF 50mm OFFSET FROM EACH OF EXISTING TRANSVERSE REINFORCING. INSTALL DOWELS IN ACCORDANCE WITH MANUFACTURER'S INSTRUCTIONS. REMOVE ALL UNSOUND CONCRETE TO MAXIMUM OF 100mm. IF GREATER THAN 100mm, NOTIFY THE CONTRACT ADMINISTRATOR.
 5. HOLES MUST BE DRILLED WITH HILTI ROTARY HAMMER DRILLS OR IF CORE DRILLED THEY MUST BE CONDITIONED WITH HILTI CONDITIONING BITS.



THE CITY OF WINNIPEG
WATER AND WASTE DEPARTMENT

REHABILITATION / REPLACEMENT OF THE
MIDTOWN FEEDERMAIN AT THE
ASSINIBOINE RIVER

STRUCTURAL
 CONCRETE PIER SU1 & SU4 WORK

SHEET 11 OF 19
 CITY DRAWING NUMBER

REV
D-12237 1

BID OPPORTUNITY NO. 830-2012

LOCATION APPROVED
 UNDERGROUND STRUCTURES

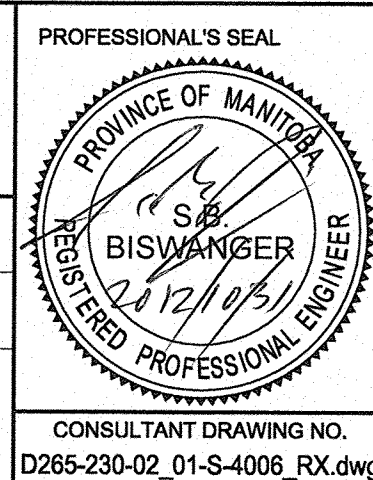
SUPR. U/G STRUCTURES DATE COMMITTEE

NOTE:
 LOCATION OF UNDERGROUND STRUCTURES AS SHOWN ARE BASED ON THE BEST INFORMATION AVAILABLE. BUT NO GUARANTEE IS GIVEN THAT ALL EXISTING UTILITIES ARE SHOWN OR THAT THE GIVEN LOCATIONS ARE EXACT. CONFIRMATION OF EXISTENCE AND EXACT LOCATION OF ALL SERVICES MUST BE OBTAINED FROM THE INDIVIDUAL UTILITIES BEFORE PROCEEDING WITH CONSTRUCTION.

11/05/09



DESIGNED BY FT/ARB
 CHECKED BY SBB/KC
 DRAWN BY DJH
 APPROVED BY EBL
 HOR. SCALE AS NOTED
 VERT. SCALE AS NOTED
 DATE



CONSULTANT DRAWING NO.
 D265-230-02_01-S-4006_RX.dwg