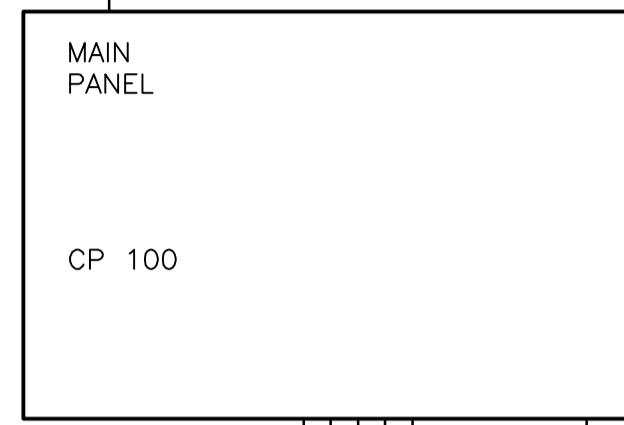
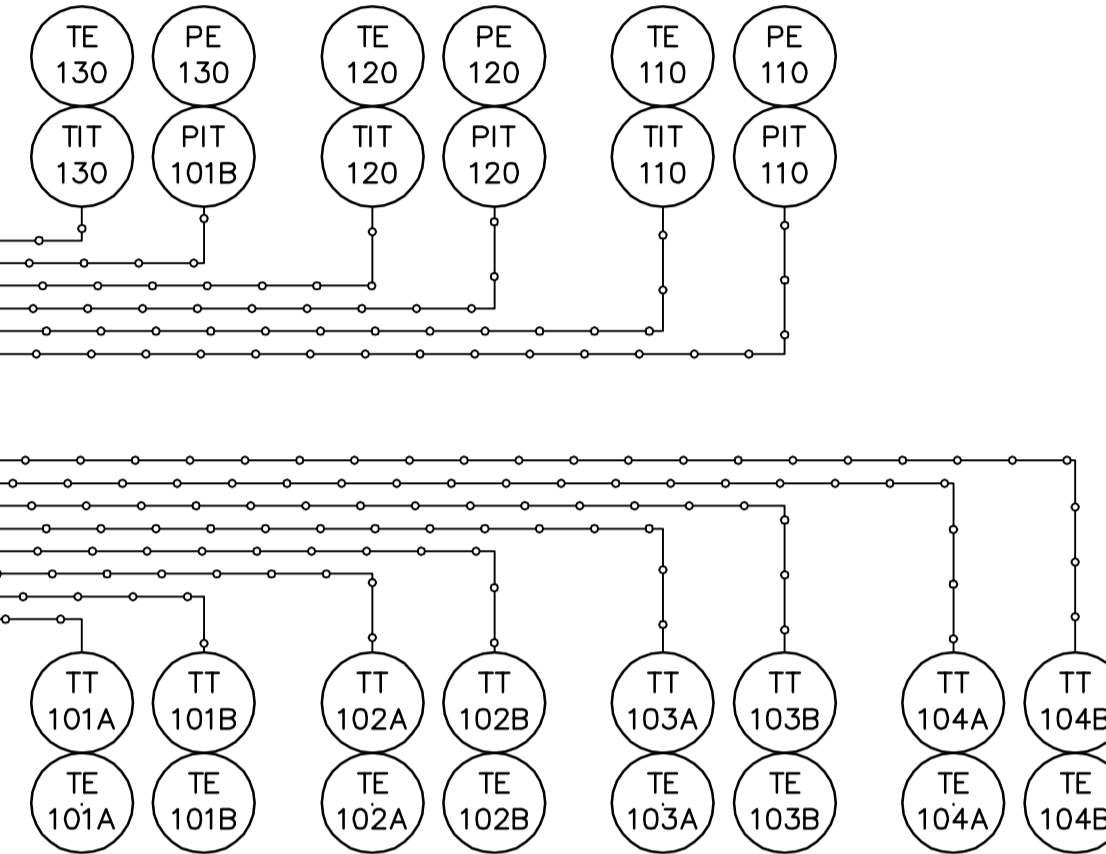
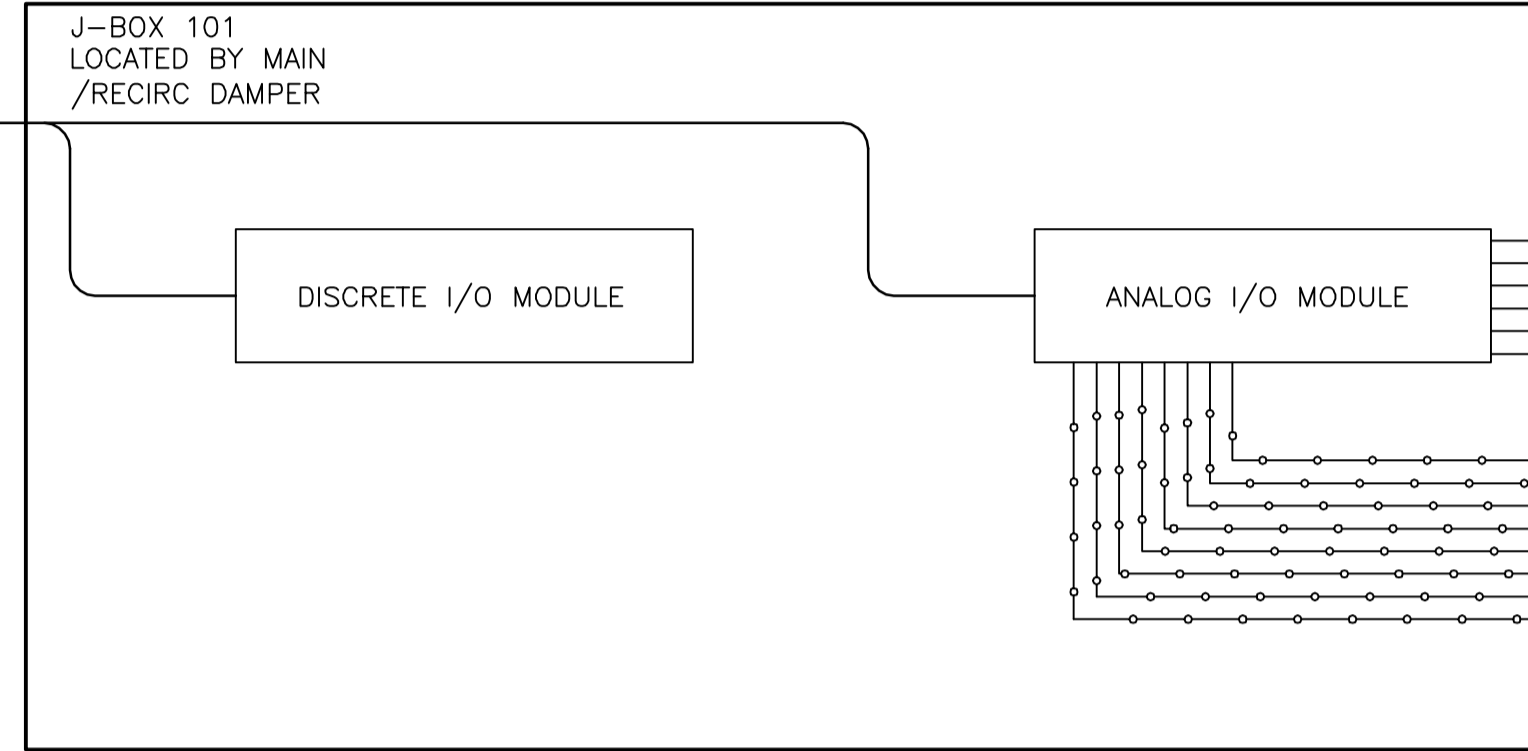


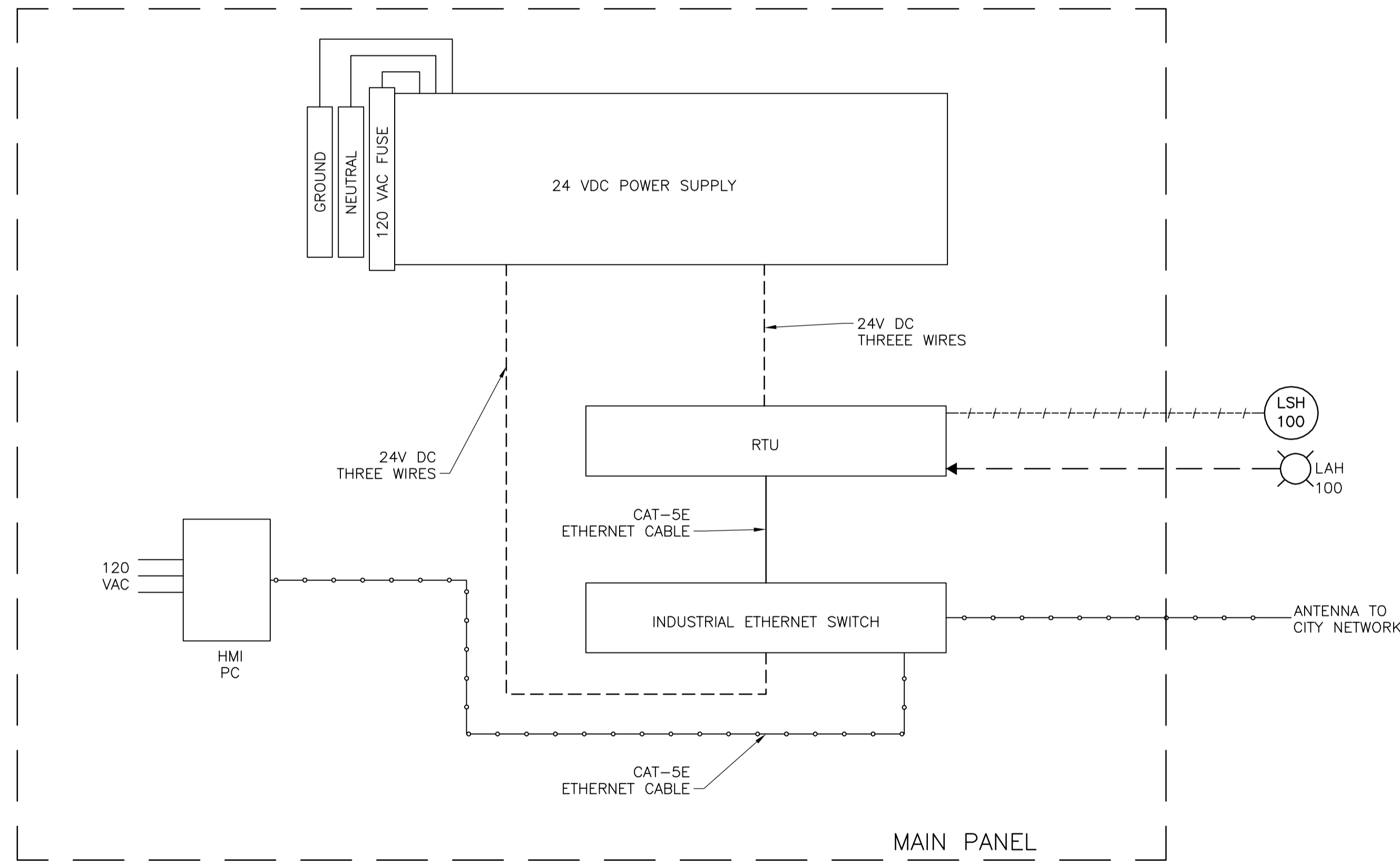
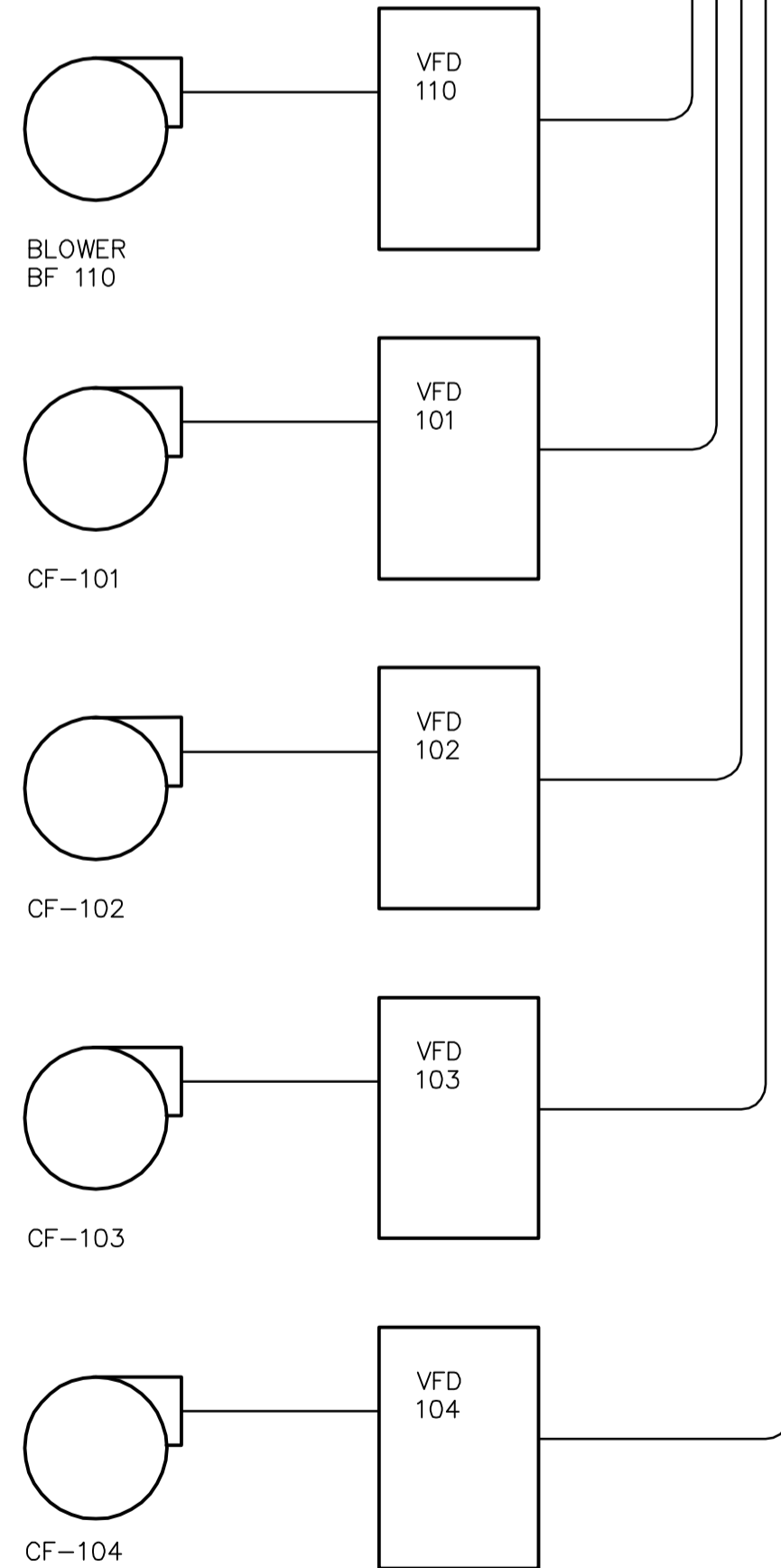
120 VAC  
(SURGE PROTECTED)



ETHERNET CABLE  
CAT-5E



CAT-5 ETHERNET CABLES



**APEGM**  
Certificate of Authorization  
CH2M HILL Canada Ltd.  
No. 1441 Date: January 25, 2013

B.M. ELEV.			
CONSTRUCTION COMPLETION DATE: YYYY MM DD			
NO.	ISSUED FOR CONSTRUCTION	13/01/25	JBC
	REVISIONS	DATE	BY

**CH2MHILL**

DESIGNED BY	LL	CHECKED BY	SG
DRAWN BY	EDA	APPROVED BY	BM
SCALE:	HORIZONTAL NTS	RELEASED FOR CONSTRUCTION	
DATE	2013 01 25	DATE	

ENGINEER'S SEAL  
PROVINCE OF MANITOBA  
L.D.  
242/6  
JAN 25 2013  
CONSULTANT DRAWING NUMBER  
**A-603**

**Winnipeg**  
THE CITY OF WINNIPEG  
WATER AND WASTE DEPARTMENT  
ENGINEERING DIVISION  
BRADY ROAD RESOURCE MANAGEMENT FACILITY  
LEAF AND YARD WASTE AND  
PILOT BIOSOLIDS COMPOSTING  
INSTRUMENTATION AND CONTROL  
MAIN PANEL AND FIELD WIRING  
SHEET 28 OF 45  
CITY DRAWING NUMBER  
1-0400B-A0003-001-00

BID OPPORTUNITY: 839-2012

FILE PATH: C:\pwworkdir\ch2mhill\_wbg\jortez1\d0198689\  
FILE NAME: A-603\_436634.DWG

PLOT DATE: 2013 02 04