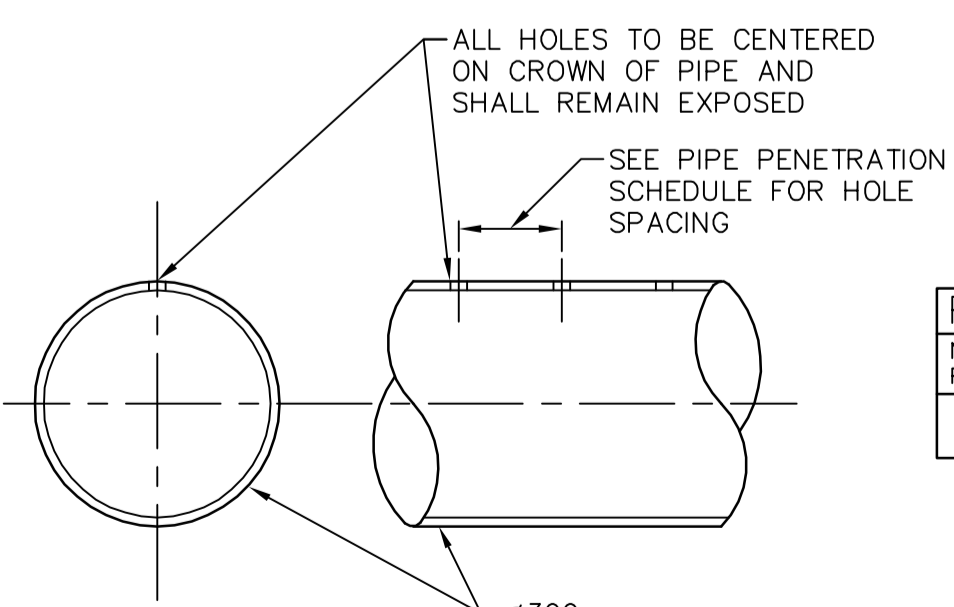


A
SECTION
1:50

B
SECTION
1:50

1
PLAN
1:50

2
DETAIL
NTS



PIPE PENETRATION SCHEDULE		
NUMBER OF PENETRATIONS	CL TO CL DIMENSION	PENETRATION SIZE
252	75mm	22mm

NOTES
1. COMPACTED SAND BEDDING IN ACCORDANCE WITH CW2030



B.M. ELEV.			
CONSTRUCTION COMPLETION DATE: YYYY MM DD			
DESIGNED BY	TW	CHECKED BY	SG
DRAWN BY	JBC	APPROVED BY	BM
SCALE: HORIZONTAL AS SHOWN		RELEASED FOR CONSTRUCTION	
DATE	2013 01 25	DATE	
ISSUED FOR CONSTRUCTION	13/01/25	JBC	
NO.	REVISIONS	DATE	BY

CH2MHILL

ENGINEER'S SEAL
PROVINCE OF MANITOBA
S.E.
REGISTERED PROFESSIONAL ENGINEER
CONSULTANT DRAWING NUMBER
P-203

THE CITY OF WINNIPEG
WATER AND WASTE DEPARTMENT
ENGINEERING DIVISION

Winnipeg

BRADY ROAD RESOURCE MANAGEMENT FACILITY
LEAF AND YARD WASTE AND PILOT BIOSOLIDS COMPOSTING
PROCESS - BIOFILTER PLAN AND DETAILS

SHEET 31 OF 45
CITY DRAWING NUMBER
1-0400B-P0003-001-00