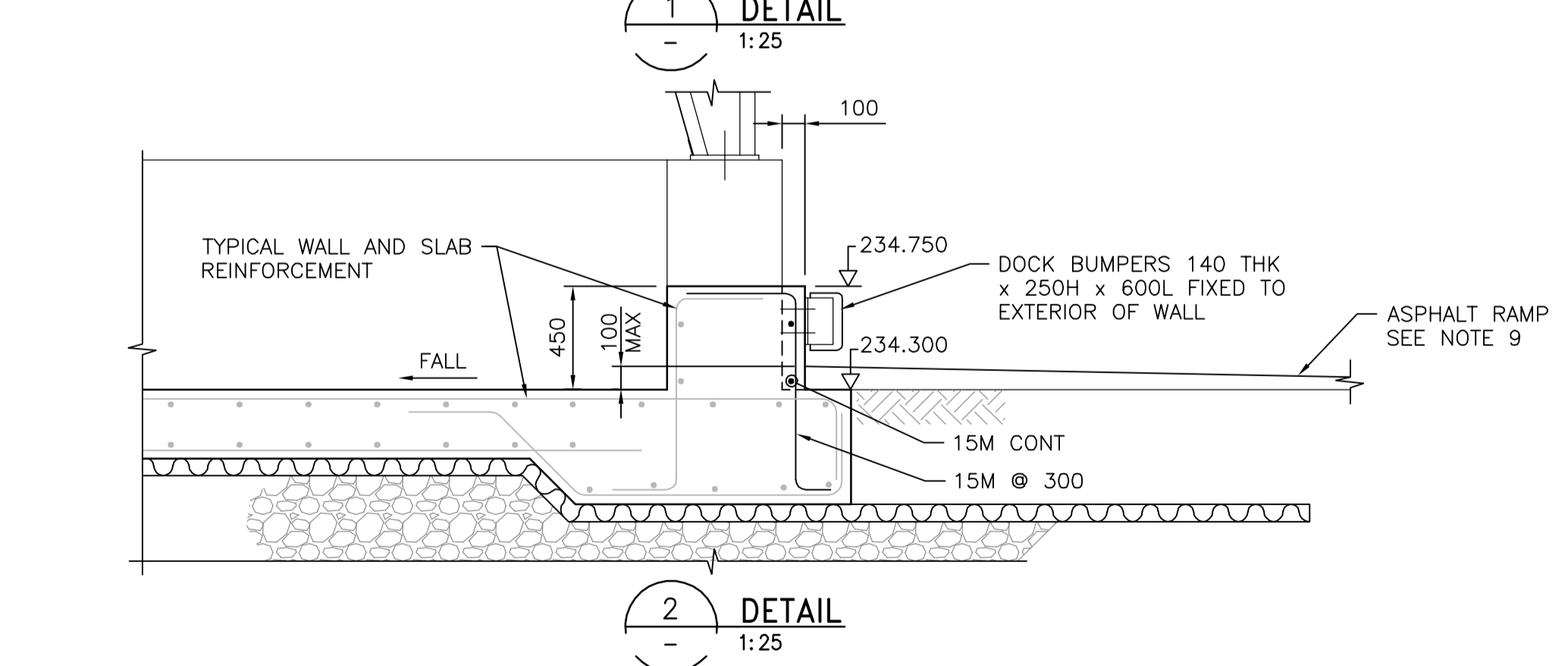
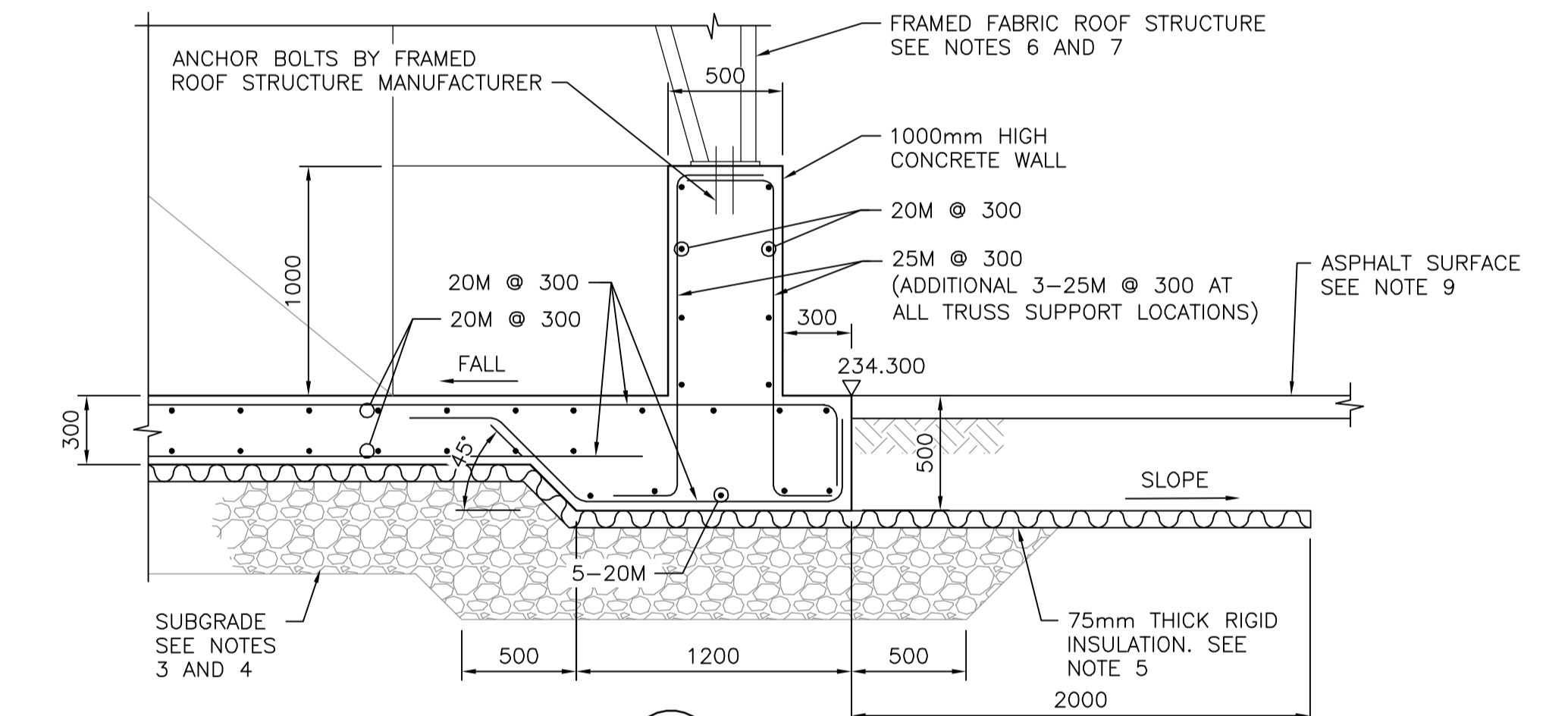
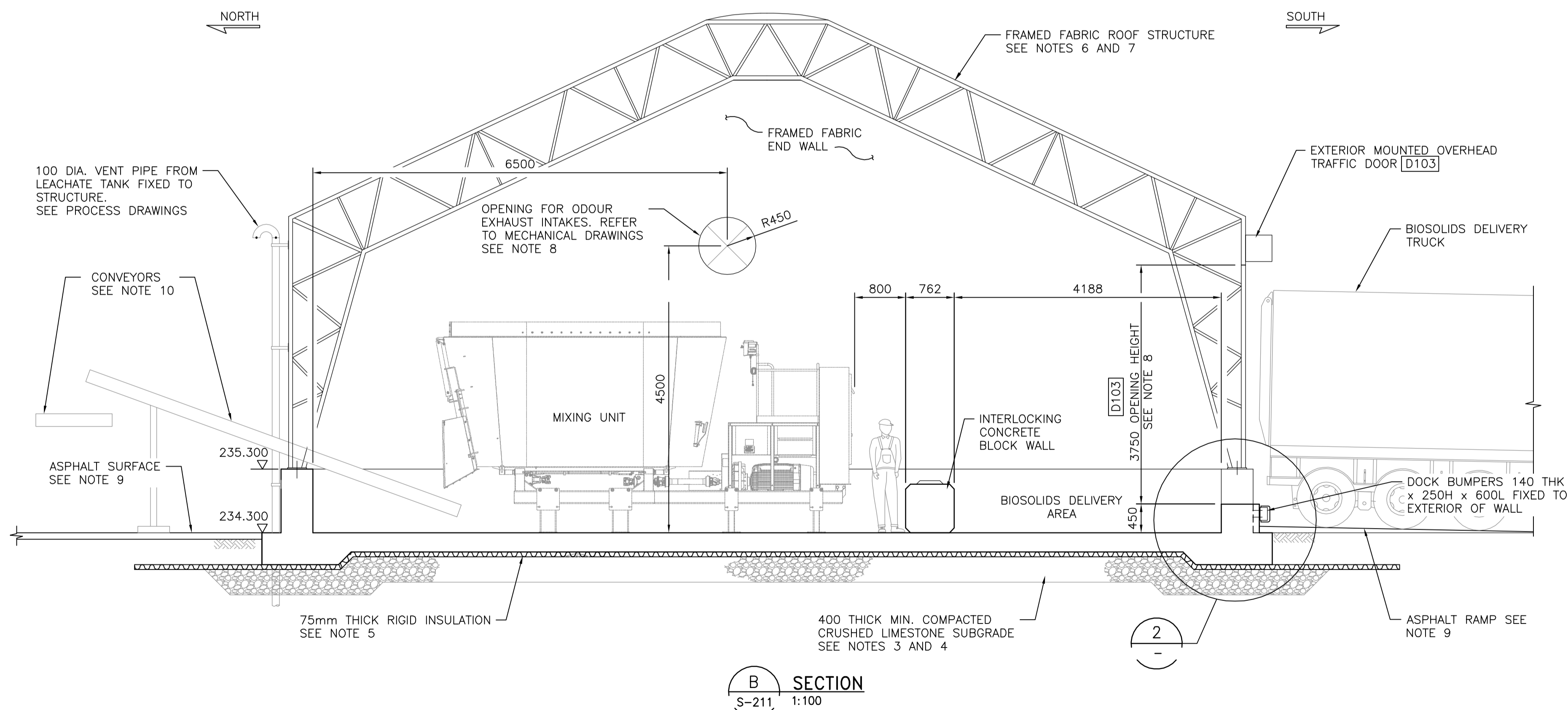
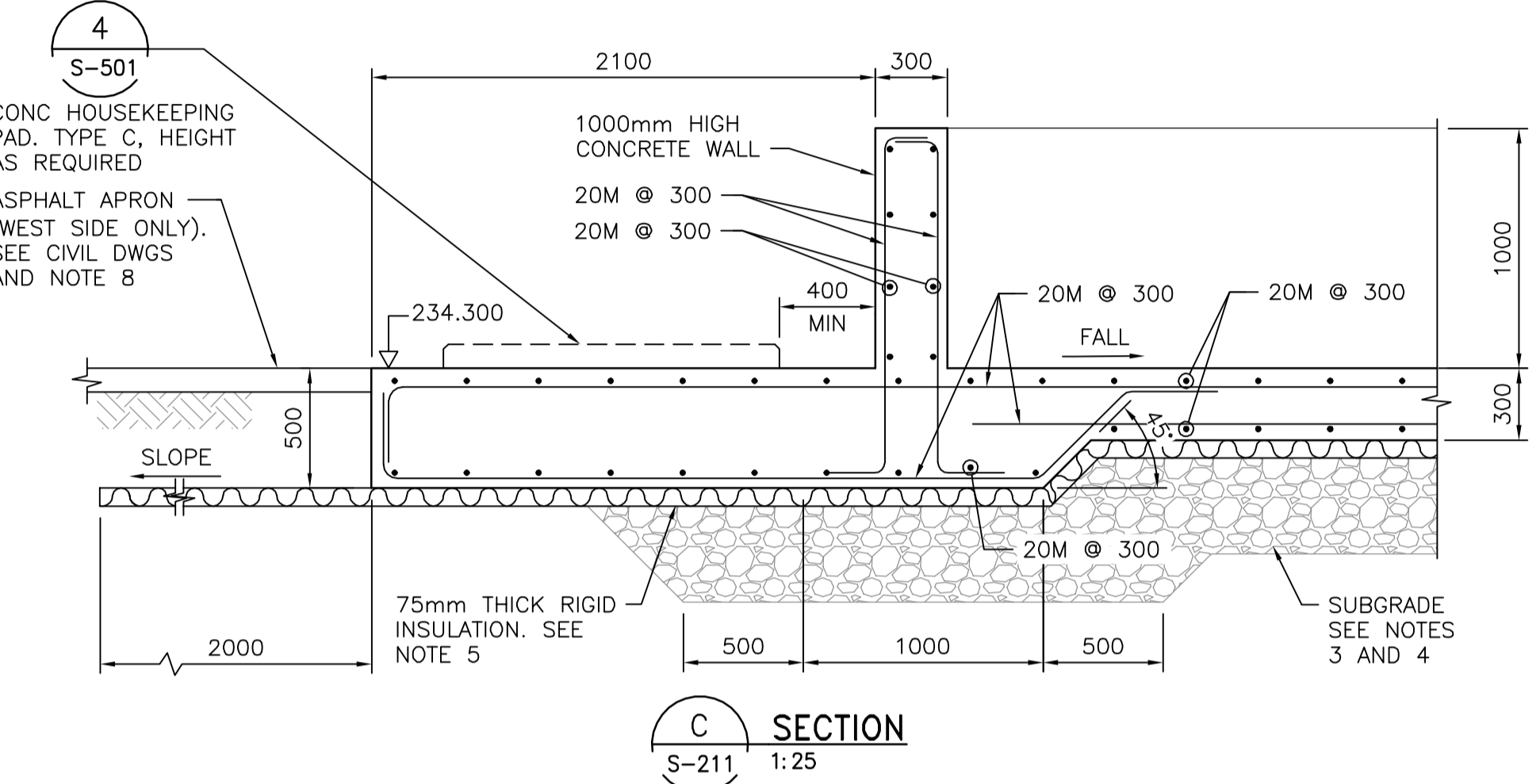


- NOTES:**
- ALL DIMENSIONS ARE IN MILLIMETRES UNLESS NOTED OTHERWISE.
 - REFER TO DRAWING NO. S-001 FOR GENERAL NOTES.
 - FOUNDATIONS SUBGRADE TO BE A MINIMUM OF 400mm THICK CRUSHED LIMESTONE (300mm OF 50mm UNDERLYING 100mm OF 19mm) COMPACTED TO 98% SPMD OVERLYING 98% SPMD COMPACTED CLAY MAXIMUM LIFTS OF 150mm.
 - PROVIDE SUBGRADE BEARING CAPACITY OF 150 kPa (SLS). CONTRACT ADMINISTRATOR TO CONFIRM PRIOR TO POURING FOUNDATIONS.
 - PROVIDE 75mm INSULATION UNDER ALL CONCRETE SLABS AND AROUND PERIMETER OF THICKENED EDGE AND AWAY FROM FOOTING 2000mm. PROVIDE SLIGHT SLOPE IN INSULATION TO AVOID PONDING OF WATER.
 - FRAMED FABRIC ROOF STRUCTURE BY CONTRACTOR. REFER TO SECTION 13122 OF THE SPECIFICATION.
 - FACTORED MAX. AND MIN. ALLOWABLE FRAMED FABRIC ROOF STRUCTURE REACTIONS ACTING ON NORTH AND SOUTH WALLS ARE AS SHOWN IN **2**.
 - CONTRACTOR TO PROVIDE SUITABLE FRAMING AND SUPPORT COMPONENTS FOR ALL MECHANICAL DUCTING EQUIPMENT AND ALL OTHER OPENINGS THROUGH FABRIC STRUCTURE INCLUDING DOORS, LOUVERS AND CONVEYORS. FRAMING ALSO TO BE PROVIDED FOR SUPPORT OF EXTERIOR MOUNTED OVERHEAD TRAFFIC DOORS. REFER TO CIVIL DRAWING C-205 FOR ASPHALT ELEVATIONS, GRADES AND GENERAL SITE LAYOUT.
 - FRAMED FABRIC ROOF STRUCTURE BY CONTRACTOR. REFER TO SECTION 13122 OF THE SPECIFICATION.
 - REFER TO DRAWING P-204 FOR CONVEYOR BELT PENETRATION REQUIREMENTS THROUGH NORTH WALL.
 - PROVIDE 50mm CLEAR COVER TO REINFORCEMENT.



APEGM
Certificate of Authorization
CH2M HILL Canada Ltd.
No. 1441 Date: January 25, 2013

B.M. ELEV.			
CONSTRUCTION COMPLETION DATE: YYYY MM DD			
NO.	REVISIONS	DATE	BY
0	ISSUED FOR CONSTRUCTION	13/01/25	JK

CH2MHILL

DESIGNED BY: KS
CHECKED BY: RP
DRAWN BY: JK
APPROVED BY: BM

SCALE:
HORIZONTAL: AS SHOWN
VERTICAL: AS SHOWN

ISSUED FOR CONSTRUCTION: 13/01/25 JK
DATE: 2013 01 25
PLOT DATE: 2013 01 21

ENGINEER'S SEAL

PROFESSOR OF MANITOBA
PARIKH
Member
30474
PROFESSIONAL ENGINEER

CONSULTANT DRAWING NUMBER
S-212

THE CITY OF WINNIPEG
WATER AND WASTE DEPARTMENT
ENGINEERING DIVISION

BRADY ROAD RESOURCE MANAGEMENT FACILITY
LEAF AND YARD WASTE AND
PILOT BIOSOLIDS COMPOSTING

STRUCTURAL
M&R BUILDING SECTIONS AND DETAILS

SHEET 20 OF 45
CITY DRAWING NUMBER
1-0400B-S0005-001-00