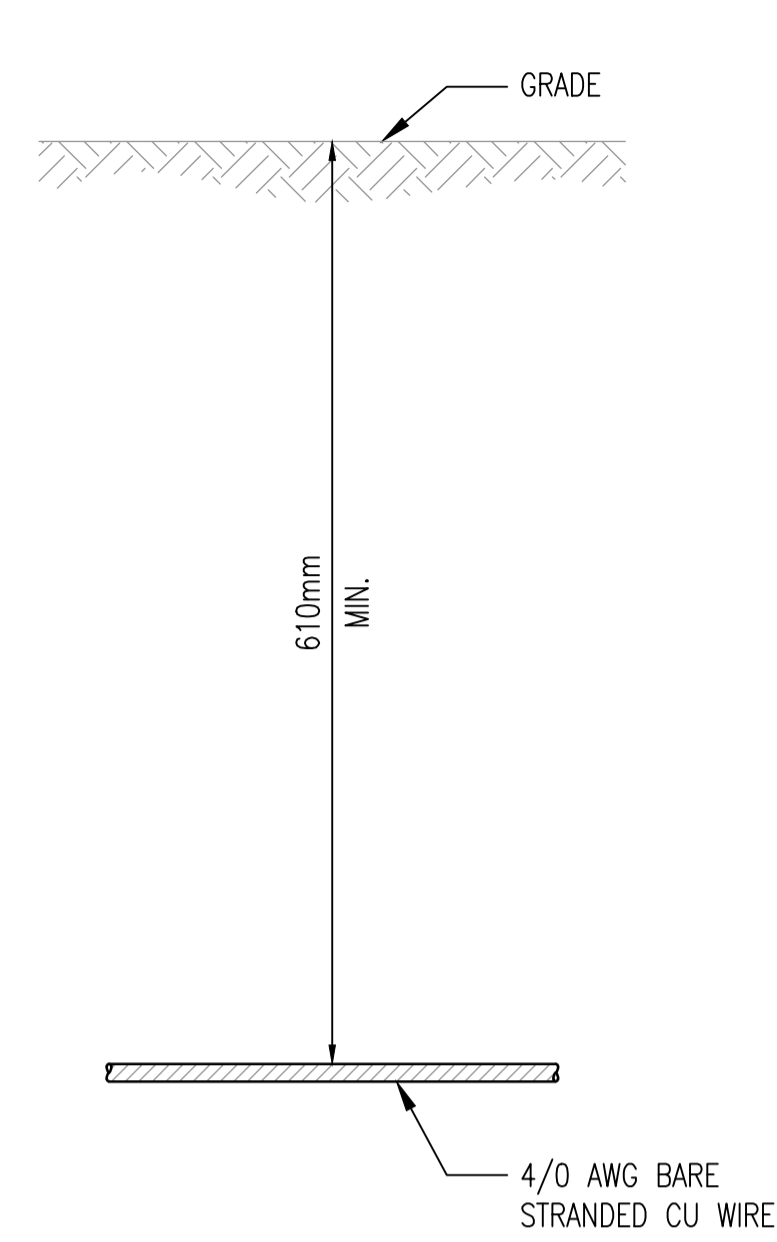
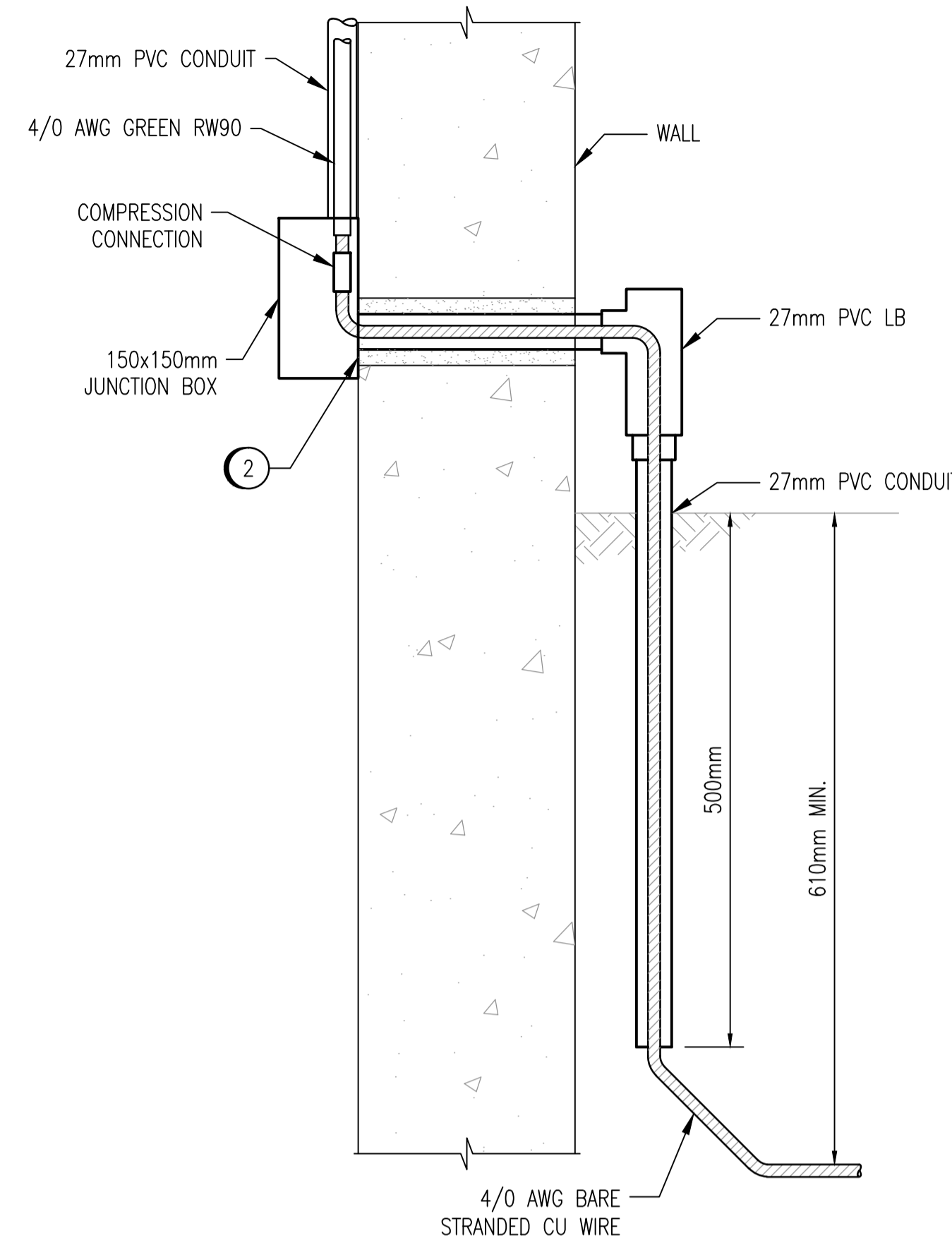


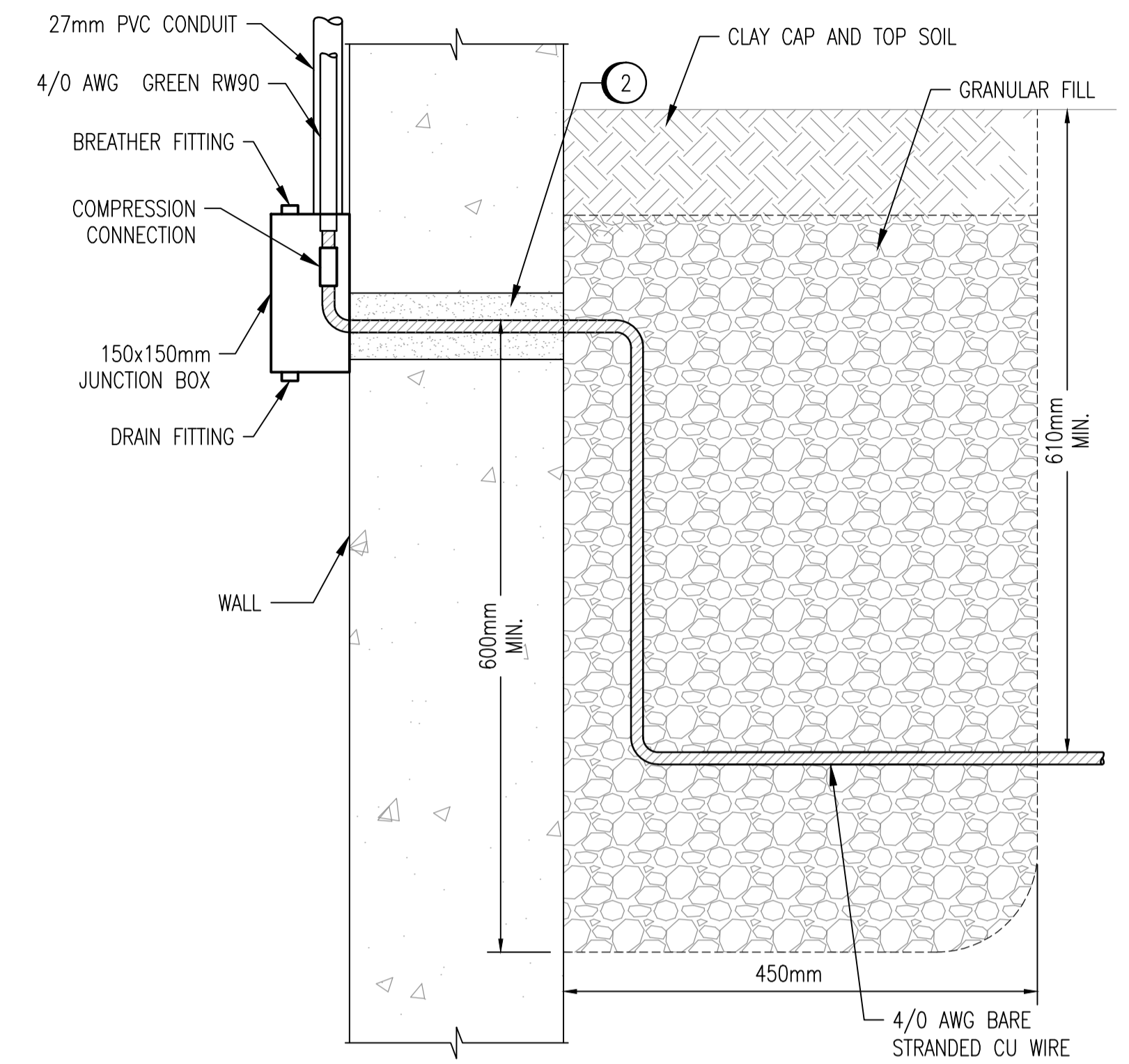
**A** GROUND ROD WITH GROUND WELL  
NTS



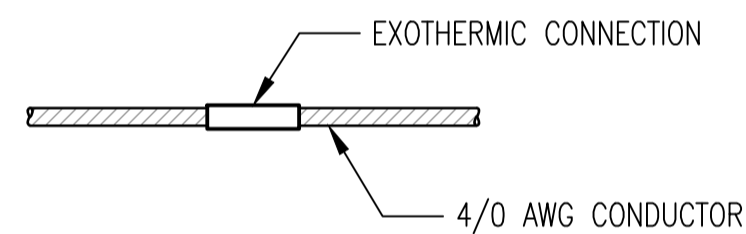
**B** BURIED BONDING CONDUCTOR  
NTS



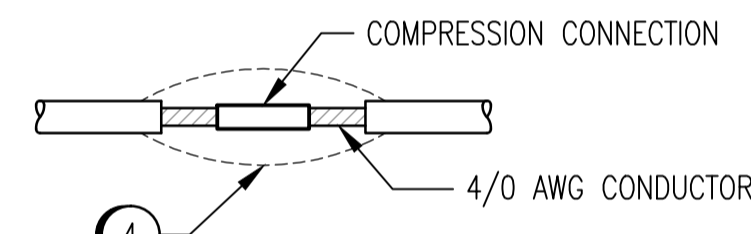
**C** BUILDING ENTRY ABOVE GRADE  
NTS



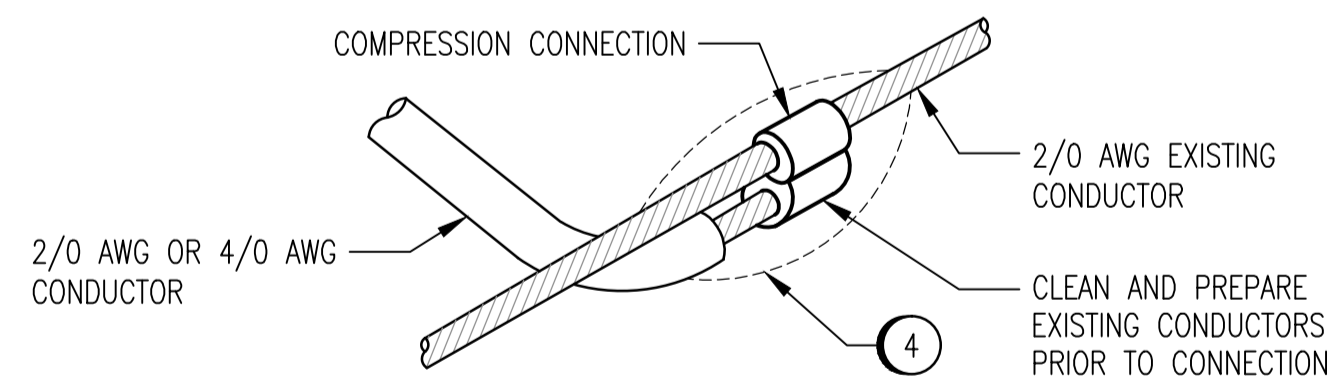
**D** BUILDING ENTRY BELOW GRADE  
NTS



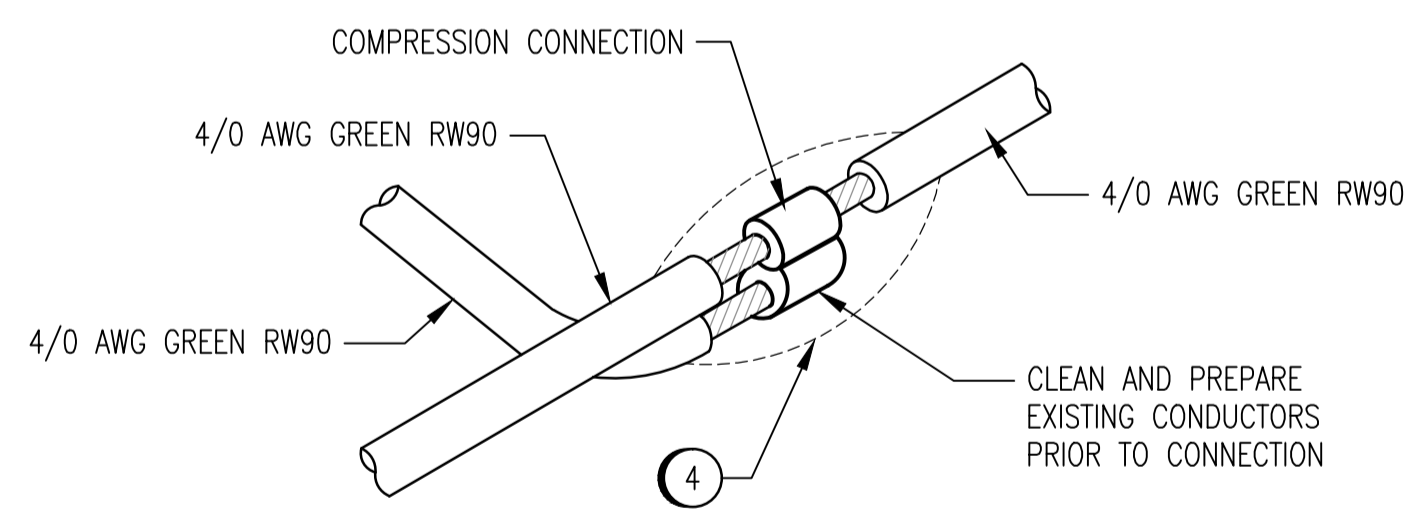
**E** GROUND CONDUCTOR SPLICE - BURIED  
NTS



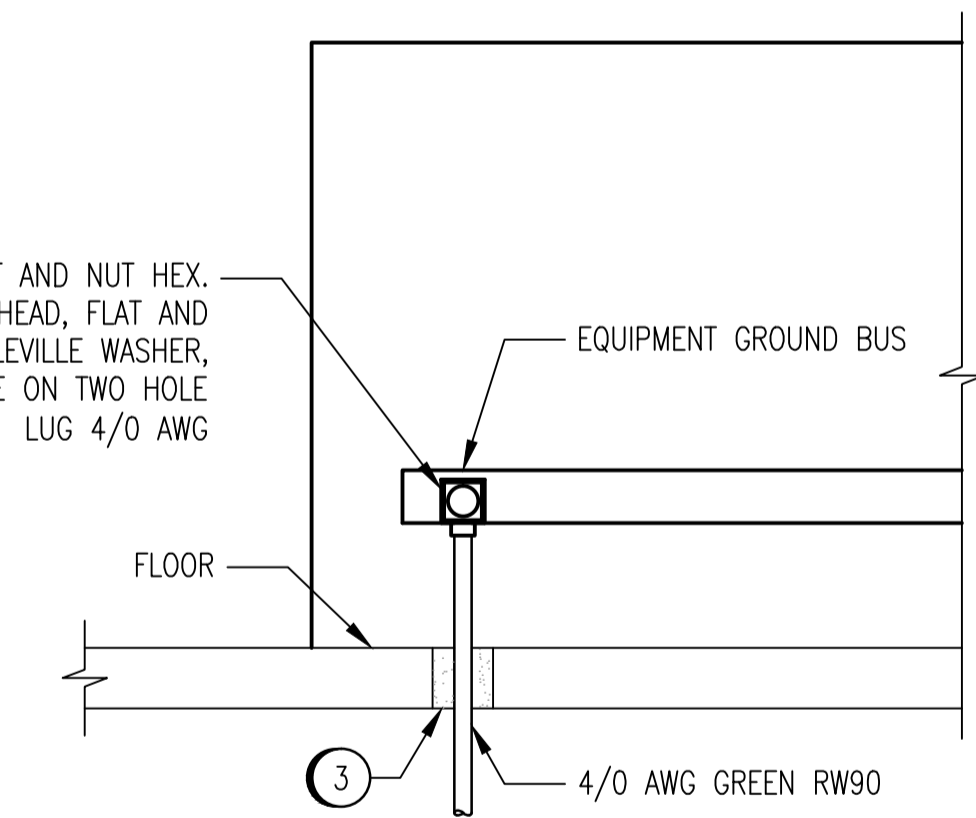
**F** GROUND CONDUCTOR SPLICE - INDOORS  
NTS



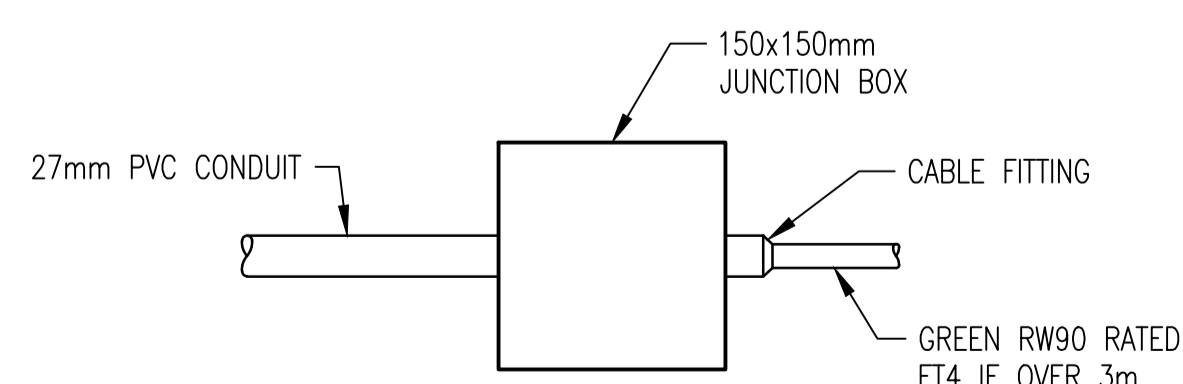
**G** GROUND CONDUCTOR TEE - EXISTING BARE COPPER  
NTS



**H** GROUND CONDUCTOR TEE - INSULATED CONDUCTORS  
NTS



**I** ELECTRICAL EQUIPMENT GROUND BUS CONNECTION  
NTS



**J** CONDUIT TERMINATION  
NTS

CONSTRUCTION NOTES	
1	INSTALL A GROUND WELL AT EACH GROUND ROD LOCATION.
2	CORE DRILL HOLE THROUGH WALL, INSTALL CABLE AND SEAL PENETRATION WITH A POLYURETHANE BASED SEALANT.
3	CORE DRILL HOLE THROUGH FLOOR, INSTALL CABLE AND SEAL PENETRATION WITH FIRESTOPPING BARRIER.
4	COVER ENTIRE BARE COPPER AREA WITH TWO WRAPS OF SELF-ANNEALING ELECTRICAL TAPE. COVER WITH ONE LAYER OF GREEN ELECTRICAL TAPE.



NO.	REVISIONS	DATE	DESIGN	CHECK
00	ISSUED FOR TENDER, BID OPP. 845-2012	2012/10/30	TMC	CJR

SNC-LAVALIN INC. 148 Nature Park Way Winnipeg, MB, Canada R3P 0X7 204-786-8080		ENGINEER'S SEAL
DESIGNED BY: I. CHURCH	CHECKED BY: C. REIMER	
DRAWN BY: S. COATES	APPROVED BY: C. REIMER	
SCALE: NTS	RELEASED FOR CONSTRUCTION BY: B. STATION	
DATE: 2010/02/10	DATE: 2012/10/31	
CONSULTANT NO.: 113312-0000-47DD-0017		

THE CITY OF WINNIPEG WATER AND WASTE DEPARTMENT	
NORTH END WATER POLLUTION CONTROL CENTRE GROUNDING UPGRADES GROUNDING INSTALLATION DETAILS	
CITY DRAWING NUMBER 1-0101A-E0010	SHEET REV. SIZE 001 00 A1