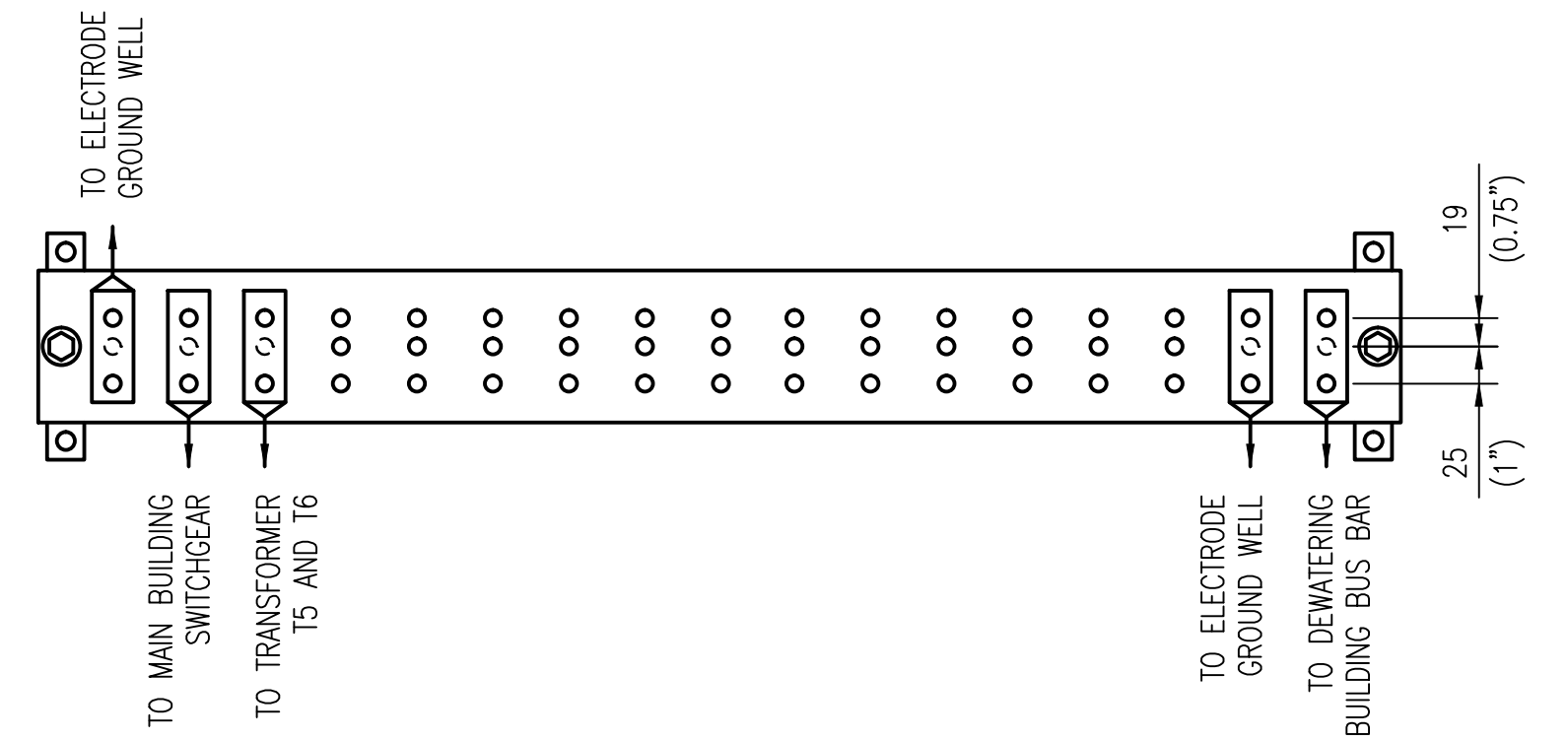
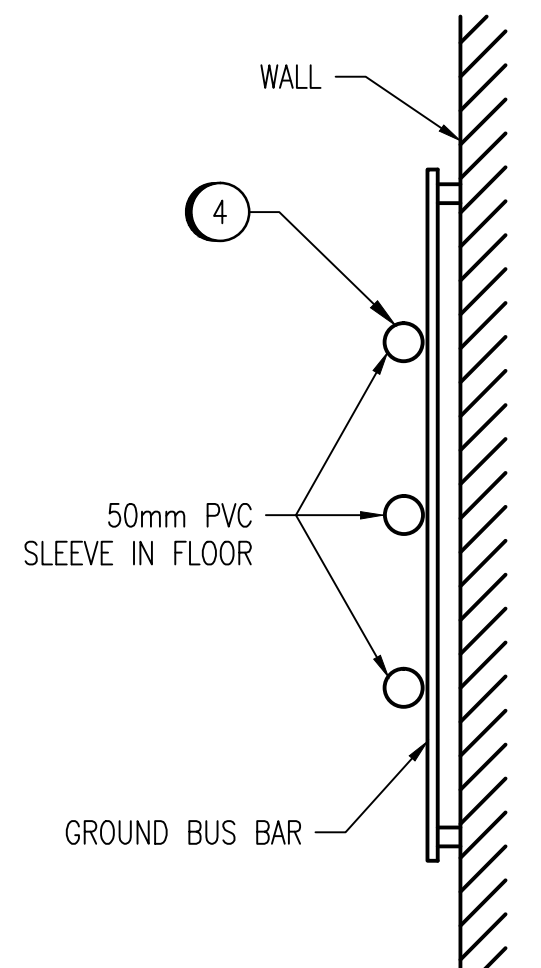


MAIN BUILDING SOUTH - MAIN FLOOR
SCALE: 1 : 50



1 DETAIL - BUS BAR
SCALE: 1 : 5

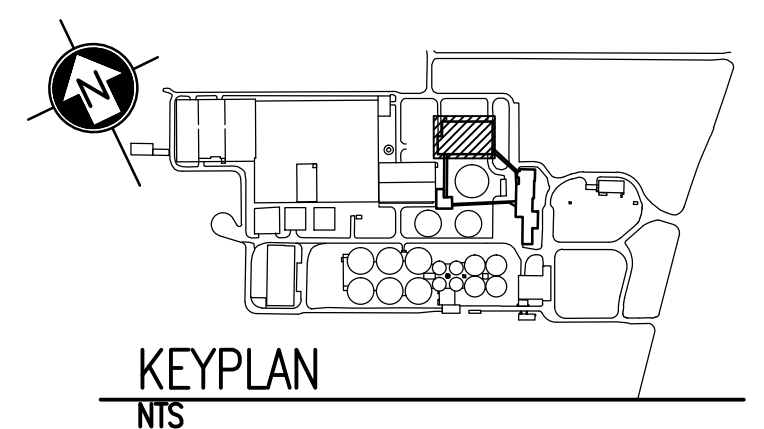


2 DETAIL - BUS BAR PLAN
SCALE: 1 : 10

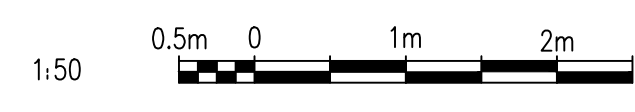
- CONSTRUCTION NOTES
- 1 PROVIDE FOUR ROD GROUND ELECTRODE AS SHOWN. SEE DETAILS ON DRAWING 1-0101A-E0010. LOCATE ALL EXISTING UNDERGROUND SERVICES IN AREA PRIOR TO INSTALLATION OF ELECTRODE. SEE DRAWING 1-0101A-E0010 FOR DETAILS. PROVIDE A GROUND WELL AT EACH ROD LOCATION.
 - 2 PROVIDE 4/0 AWG CONDUCTOR FROM GROUND ELECTRODE TO GROUND BUS BAR. CORE DRILL HOLE THROUGH WALL BELOW GRADE.
 - 3 PROVIDE 4/0 AWG CONDUCTOR FROM MAIN BUILDING TO DEWATERING BUILDING. INSTALL IN 27mm PVC CONDUIT.
 - 4 CORE DRILL THROUGH FLOOR. AVOID EXISTING REBAR. PROVIDE 50mm PVC PIPE SLEEVE IN FLOOR. FILL HOLES WITH FIBERGLASS INSULATION TO ALLOW FOR USE IN FUTURE PROJECT.
 - 5 PROVIDE 4/0 AWG CONDUCTOR FROM GROUND BUS BAR TO EXISTING GROUND CONDUCTOR AS SHOWN.
 - 6 PROVIDE GROUND BUS BAR AS SHOWN AT HEIGHT OF 400mm ABOVE FINISHED FLOOR.
 - 7 PROVIDE 2/0 AWG CONDUCTOR TO BOND PIPES ENTERING BUILDING TO GROUND CONDUCTOR (2 LOCATIONS). USE APPROVED PIPE CLAMP OR EXOTHERMIC WELD INSTALL.
 - 8 RESTORE ALL GRASSED AND PAVEMENT SURFACES AS PER THE SPECIFICATIONS.

LEGEND:

- - - - - EXISTING BURIED SERVICE
- — — — — EXISTING CONDUCTOR
- — — — — NEW CONDUCTOR
- - - - - CONDUCTOR BELOW ELEVATION SHOWN
- GROUND ROD
- CONNECTION
- ELEVATION CHANGE



- NOTES:**
1. THE ELEVATION OF THE GROUNDING CONDUCTORS AND ELECTRODES VARIES AND IS SHOWN ON A SINGLE LEVEL TO EASE THE UNDERSTANDING OF HOW THE GROUNDING SYSTEM IS INTERCONNECTED.
 2. THE LOCATION AND ROUTING OF EXISTING GROUNDING CONDUCTORS IS APPROXIMATE.



1-0101A-E0010	GROUNDING INSTALLATION DETAILS
1-0101A-E0011	SITE PLAN - GROUNDING CONDUCTOR ROUTING
DRAWING NUMBER	REFERENCE DRAWINGS

00	ISSUED FOR TENDER, BID OPP: 845-2012	2012/10/30	TMC	CJR
NO.	REVISIONS	DATE	DESIGN	CHECK

SNC-LAVALIN INC.
148 Nature Park Way
Winnipeg, MB, Canada R3P 0X7
204-786-8080

DESIGNED BY: I. CHURCH
DRAWN BY: S. COATES
SCALE: 1:50
DATE: 2009/12/09

CHECKED BY: C. REIMER
APPROVED BY: C. REIMER
RELEASED FOR CONSTRUCTION BY: B. STATION
DATE: 2012/10/31

CONSULTANT NO.: 113312-0000-47DD-0009

THE CITY OF WINNIPEG
WATER AND WASTE DEPARTMENT

NORTH END WATER POLLUTION CONTROL CENTRE
GROUNDING UPGRADES
PLAN LAYOUT
GROUNDING
MAIN BUILDING SOUTH

CITY DRAWING NUMBER: 1-0101M-E0015
SHEET: 001
REV: 00
SIZE: A1