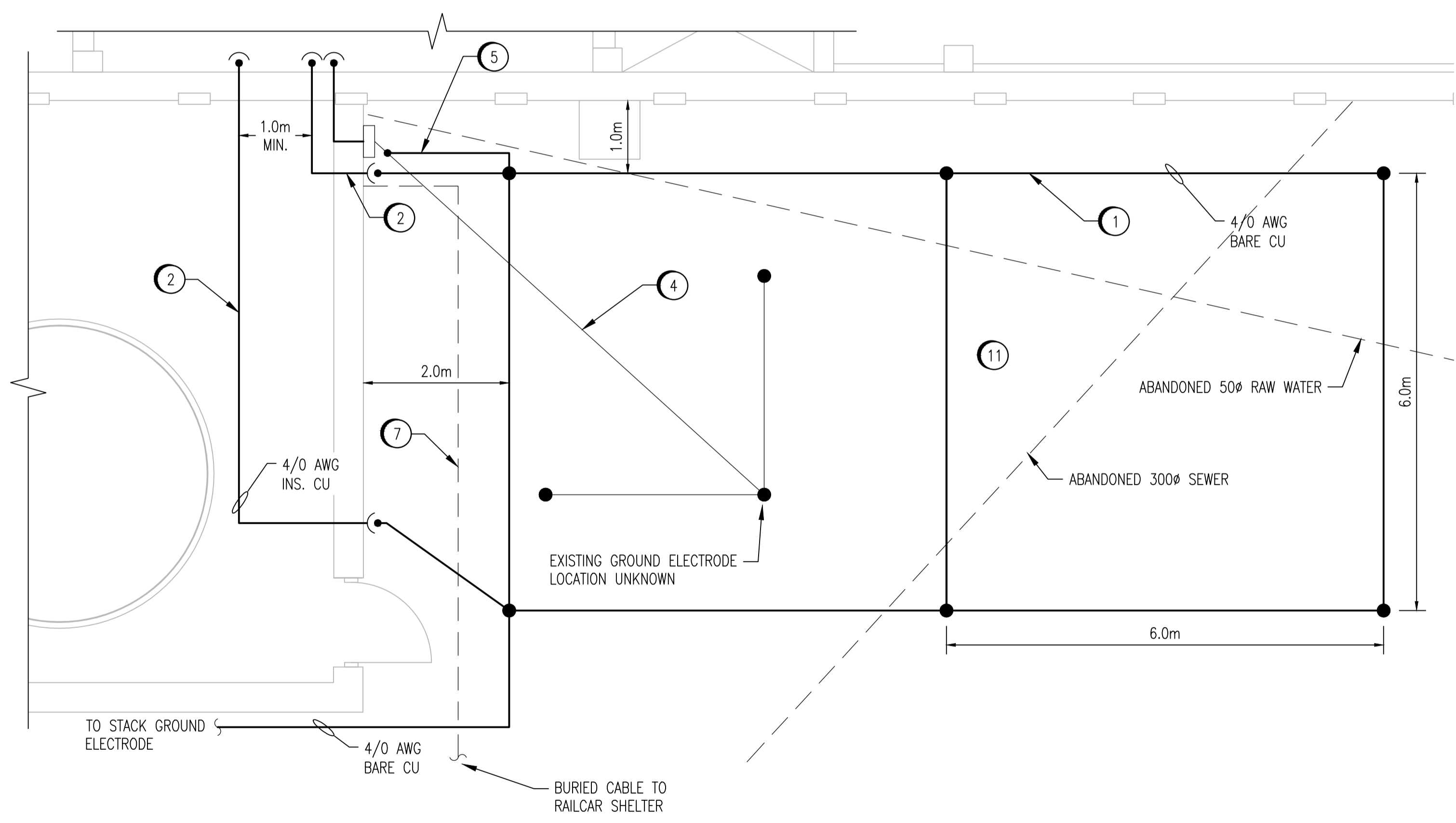
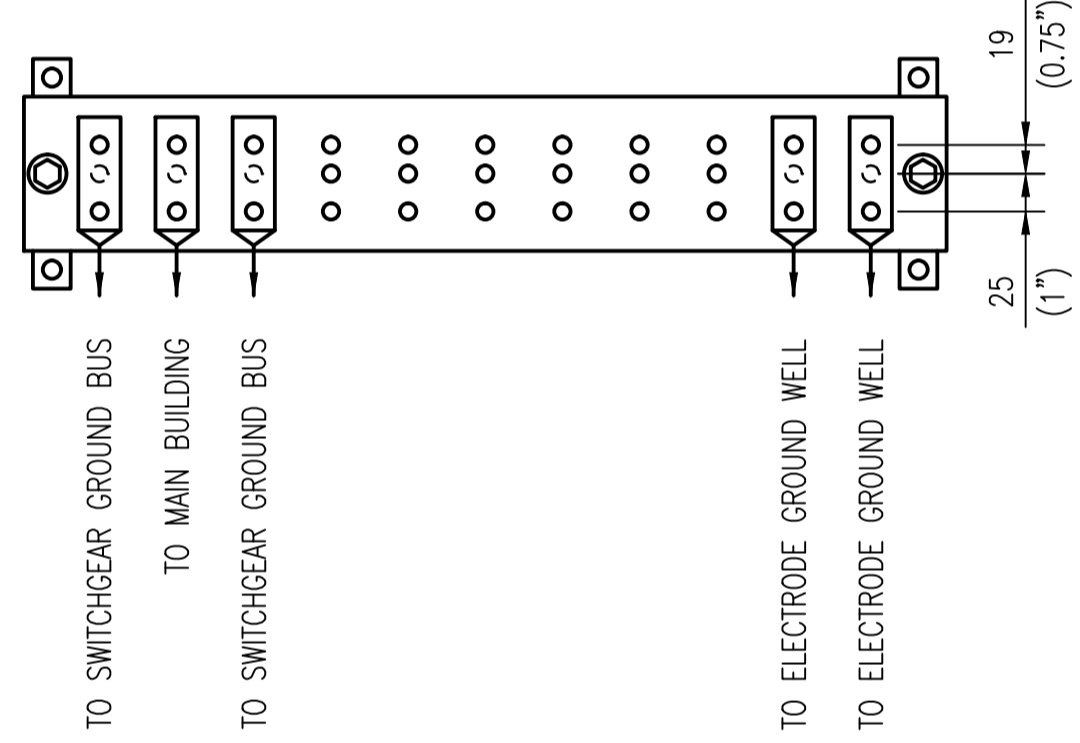


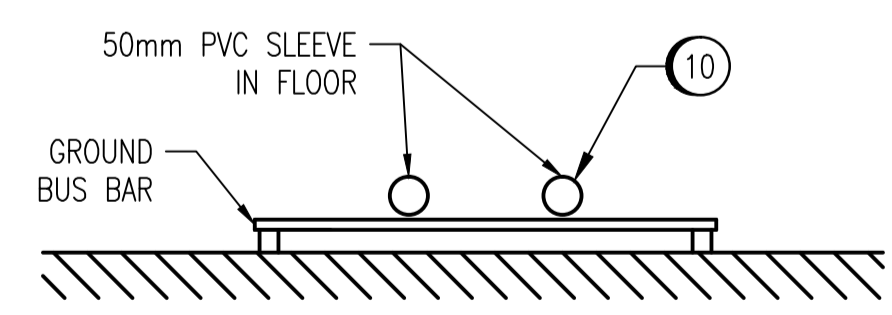
DEWATERING BUILDING PLAN - SECOND FLOOR
SCALE: 1 : 50



DEWATERING BUILDING PLAN - MAIN FLOOR
SCALE: 1 : 50



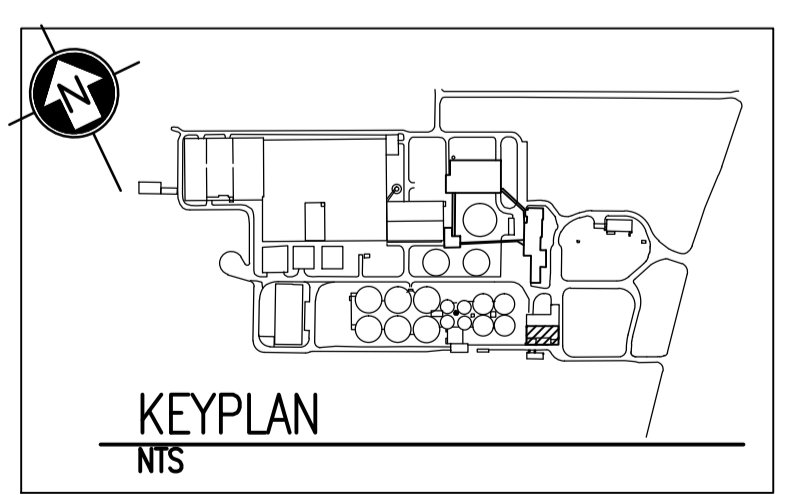
1 -- --
DETAIL - BUS BAR
SCALE: 1 : 5



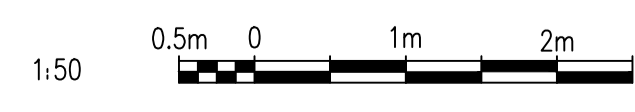
2 -- --
DETAIL - BUS BAR PLAN
SCALE: 1 : 10

- CONSTRUCTION NOTES:
- 1 PROVIDE SIX ROD GROUND ELECTRODE AS SHOWN. LOCATE ALL EXISTING UNDERGROUND SERVICES IN AREA PRIOR TO INSTALLATION OF ELECTRODE. SEE DETAILS ON DRAWING 1-0101A-E0010. PROVIDE GROUND WELL AT EACH ROD LOCATION.
 - 2 PROVIDE 4/0 AWG CONDUCTOR FROM GROUND ELECTRODE TO GROUND BUS BAR. CORE DRILL THROUGH WALL ABOVE GRADE.
 - 3 PROVIDE 4/0 AWG INSULATED GROUND CONDUCTOR FROM MAIN BUILDING BUS BAR TO GROUND BUS BAR.
 - 4 DETECT LOCATION OF EXISTING GROUND ELECTRODE AND CONDUCTORS AND MARK ON AS-BUILT DRAWINGS.
 - 5 PROVIDE 4/0 AWG CONDUCTOR TO CONNECT NEW GROUND ELECTRODE TO EXISTING ELECTRODE AT ENTRY POINT INTO BUILDING.
 - 6 PROVIDE GROUND BUS BAR AT HEIGHT OF 400mm ABOVE FINISHED FLOOR. INSTALL CONDUCTORS IN 27mm PVC CONDUIT.
 - 7 LOCATE EXISTING BURIED CABLE PRIOR TO EXCAVATION.
 - 8 PROVIDE 4/0 AWG CONDUCTOR FROM TRANSFORMER TO GROUND BUS BAR.
 - 9 PROVIDE 4/0 AWG CONDUCTOR FROM EXISTING CONDUCTOR TO GROUND BUS BAR.
 - 10 CORE DRILL THROUGH FLOOR. AVOID EXISTING REBAR. INSTALL 50mm PVC PIPE SLEEVES IN FLOOR. SEAL PENETRATIONS.
 - 11 RESTORE THE SIDEWALK AND ALL GRASSED AND PAVEMENT SURFACES AS PER THE SPECIFICATIONS.

- LEGEND:
- - - - - EXISTING BURIED SERVICE
 - — — — — EXISTING CONDUCTOR
 - — — — — NEW CONDUCTOR
 - - - - - CONDUCTOR BELOW ELEVATION SHOWN
 - GROUND ROD
 - CONNECTION
 - ◐ ELEVATION CHANGE



- NOTES:
1. THE ELEVATION OF THE GROUNDING CONDUCTORS AND ELECTRODES VARIES AND IS SHOWN ON A SINGLE LEVEL TO EASE THE UNDERSTANDING OF HOW THE GROUNDING SYSTEM IS INTERCONNECTED.
 2. THE LOCATION AND ROUTING OF EXISTING CONDUCTORS IS APPROXIMATE.
 3. THIS DRAWING SUPERSEDES PART OF NEP-1667.



APECM
Certificate of Authorization
SNC-Lavalin Inc.
No. 4489

00	ISSUED FOR TENDER, BID OPP. 845-2012	2012/10/30	TMC	CJR
NO.	REVISIONS	DATE	DESIGN	CHECK

<p>SNC-LAVALIN INC. 148 Nature Park Way Winnipeg, MB, Canada R3P 0X7 204-786-8080</p>		ENGINEER'S SEAL
DESIGNED BY: I. CHURCH	CHECKED BY: C. REIMER	
DRAWN BY: S. COATES	APPROVED BY: C. REIMER	
SCALE: 1:50	RELEASED FOR CONSTRUCTION BY: B. STATION	
DATE: 2009/11/30	DATE: 2012/10/31	
CONSULTANT NO.: 113312-0000-47DD-0016		

THE CITY OF WINNIPEG
WATER AND WASTE DEPARTMENT

NORTH END WATER POLLUTION CONTROL CENTRE
GROUNDING UPGRADES
PLAN LAYOUT
GROUNDING
DEWATERING BUILDING

CITY DRAWING NUMBER: 1-0101W-E0006
SHEET: 001
REV: 00
SIZE: A1

1-0101A-E0010	GROUNDING INSTALLATION DETAILS
1-0101A-E0011	SITE PLAN - GROUNDING CONDUCTOR ROUTING
DRAWING NUMBER	REFERENCE DRAWINGS