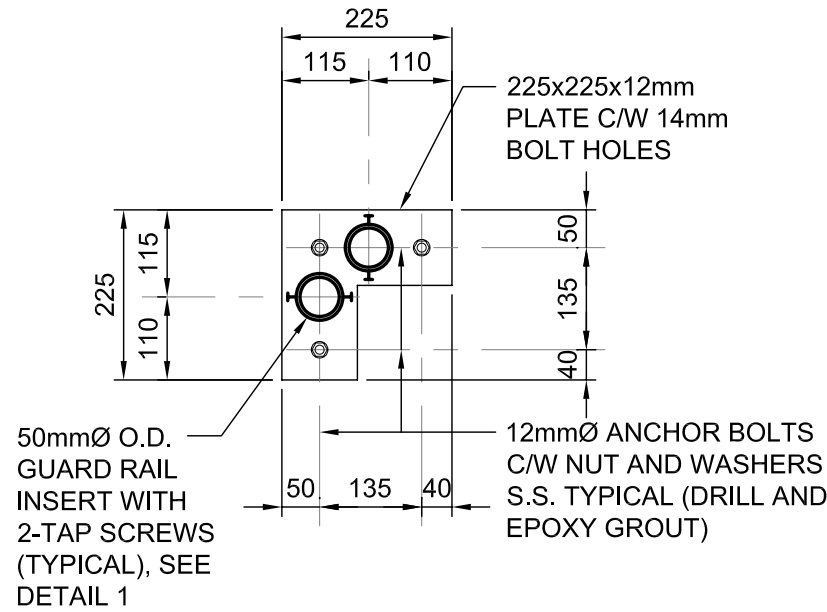
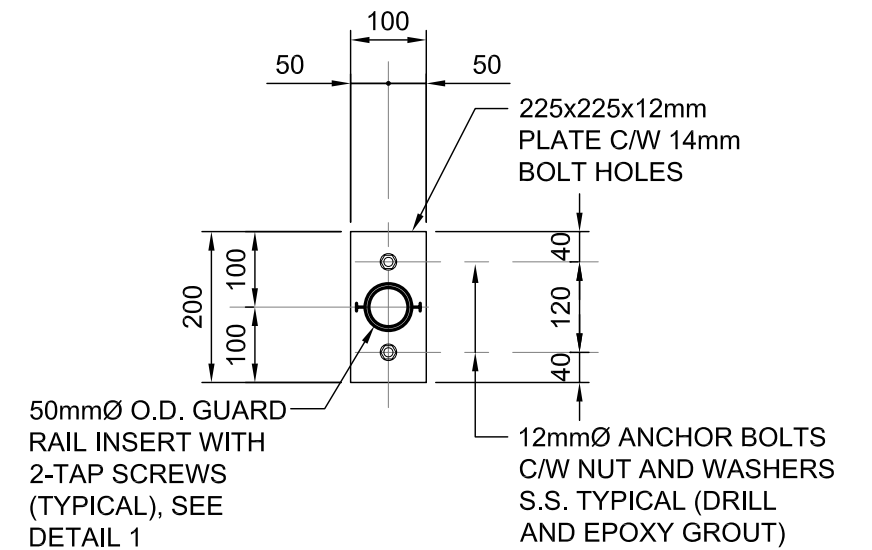


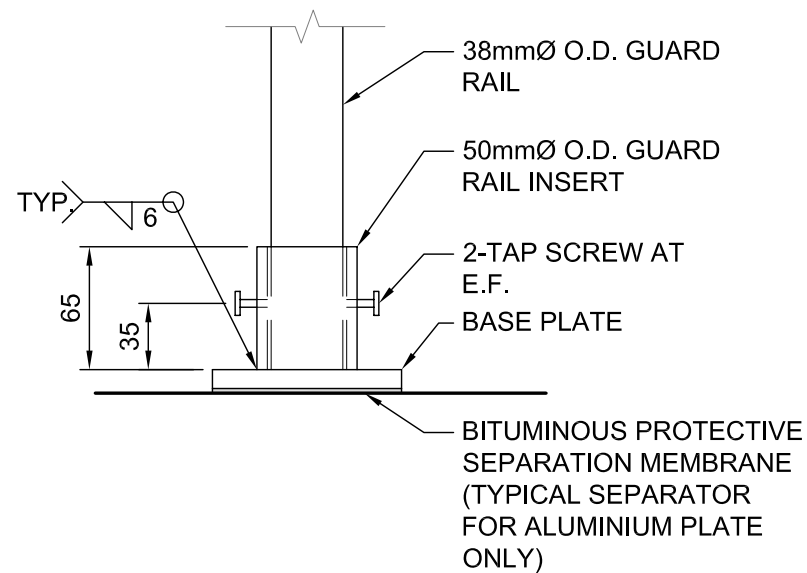
SECTION J-J
SCALE : 1:10



MARK P-1
SCALE : 1:10



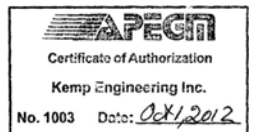
MARK P-2
SCALE : 1:10



DETAIL 1
SCALE : 1:4

NOTES:

1. LAPEYRE STAIR WITH SAFETY GATE SHALL BE ALUMINIUM 68°. SUPPLIER TO SHIP HANDRAILS NOT ATTACHED. ASSEMBLE STAIRS AND HANDRAIL ONCE LAPEYRE BOTTOM TREADS ARE INSTALLED.
2. INSTALL GROUT LEVELLING PAD AT LAPEYRE STAIR AND EXISTING VALVE PIT FLOOR SLAB.
3. ALL RAIL TO BE 6mm THICK STAINLESS STEEL OR ALUMINIUM (TYPICAL UNLESS NOTED).
4. ALL BASE PLATES TO BE STAINLESS STEEL OR ALUMINIUM (TYPICAL UNLESS NOTED).
5. ALL ALUMINIUM IN CONTACT WITH CONCRETE TO USE A BITUMINOUS SEPARATION MEMBRANE.
6. CONTRACTOR TO VERIFY DIMENSIONS PRIOR TO CONSTRUCTION.



LOCATION APPROVED UNDERGROUND STRUCTURES SUPV. U/G STRUCTURES COMMITTEE DATE NOTE: LOCATION OF UNDERGROUND STRUCTURES AS SHOWN ARE BASED ON THE BEST INFORMATION AVAILABLE BUT NO GUARANTEE IS GIVEN THAT ALL EXISTING UTILITIES ARE SHOWN OR THAT THE GIVEN LOCATIONS ARE EXACT. CONFIRMATION OF EXISTENCE AND EXACT LOCATION OF ALL SERVICES MUST BE OBTAINED FROM THE INDIVIDUAL UTILITIES BEFORE PROCEEDING WITH CONSTRUCTION.	B.M. ELEV. COSTRUCTION COMPLETION DATE: YYYY MM DD	ENGINEER'S SEAL 		 THE CITY OF WINNIPEG WATER AND WASTE DEPARTMENT ENGINEERING DIVISION WILKES AVE RESERVOIR WILKES RESERVOIR VALVE PIT B TYPICAL HAND RAILING DETAILS	SHEET 7 OF 7 CITY DRAWING NUMBER						
	<table border="1"> <tr> <th>NO.</th> <th>REVISIONS</th> <th>DATE</th> <th>BY</th> </tr> <tr> <td> </td> <td> </td> <td> </td> <td> </td> </tr> </table>	NO.	REVISIONS		DATE	BY					DESIGNED BY: FAK CHECKED BY: FAK DRAWN BY: BH APPROVED BY: FAK SCALE: HORIZONTAL: AS NOTED VERTICAL: DATE: 2012 10 15 RELEASED FOR CONSTRUCTION DATE:
NO.	REVISIONS	DATE	BY								