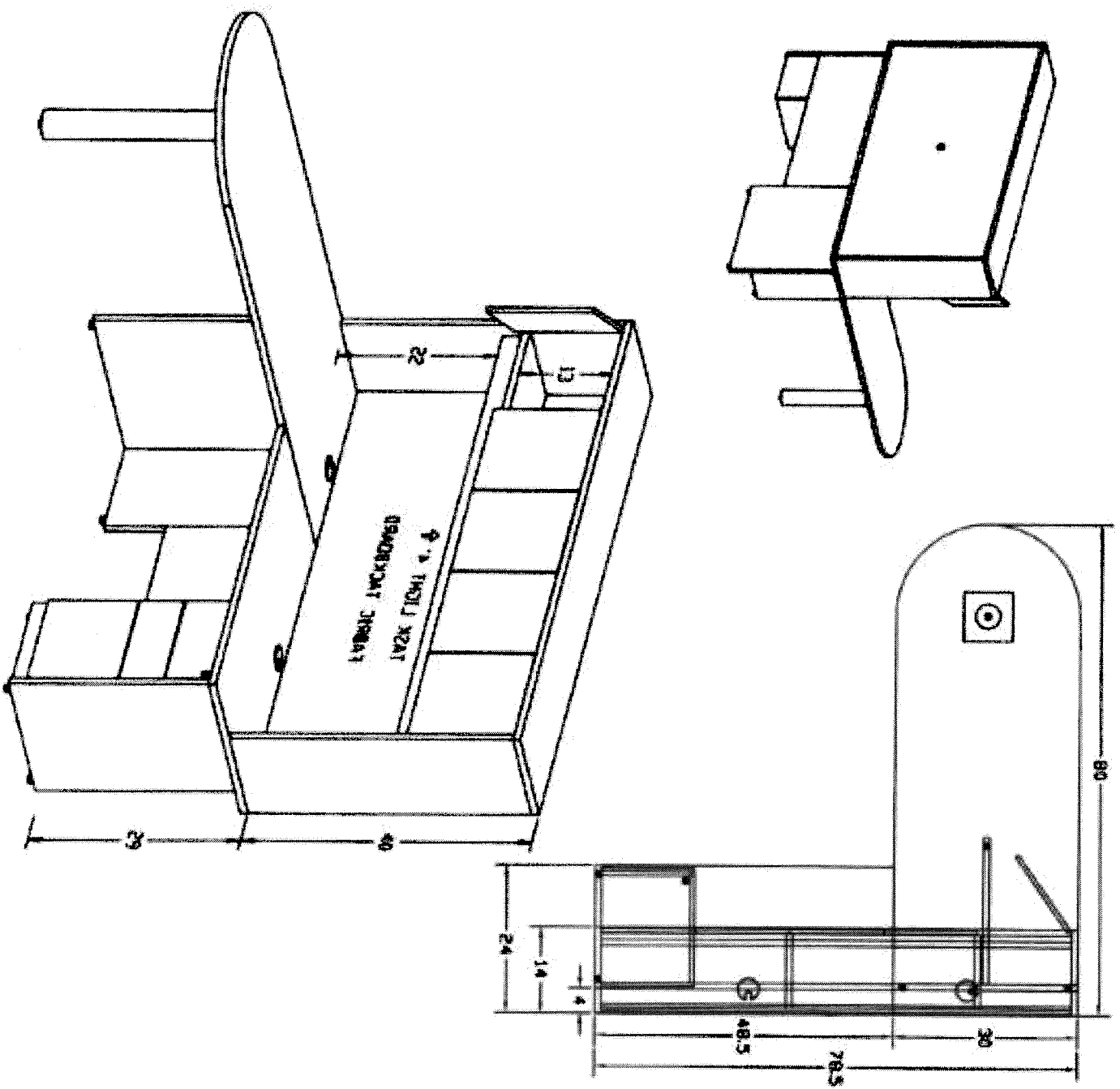
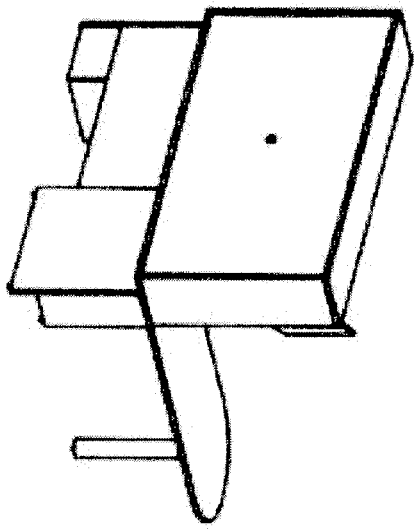


DETAIL VIEWS 6TH FLOOR OFFICE DESK N.T.S.

- 16 RIGHT HAND DESKS
- 1 LEFT HAND DESK



CITY OF WINNIPEG · CORPORATE IT · 6TH FLOOR 510 MAIN ST.

A1