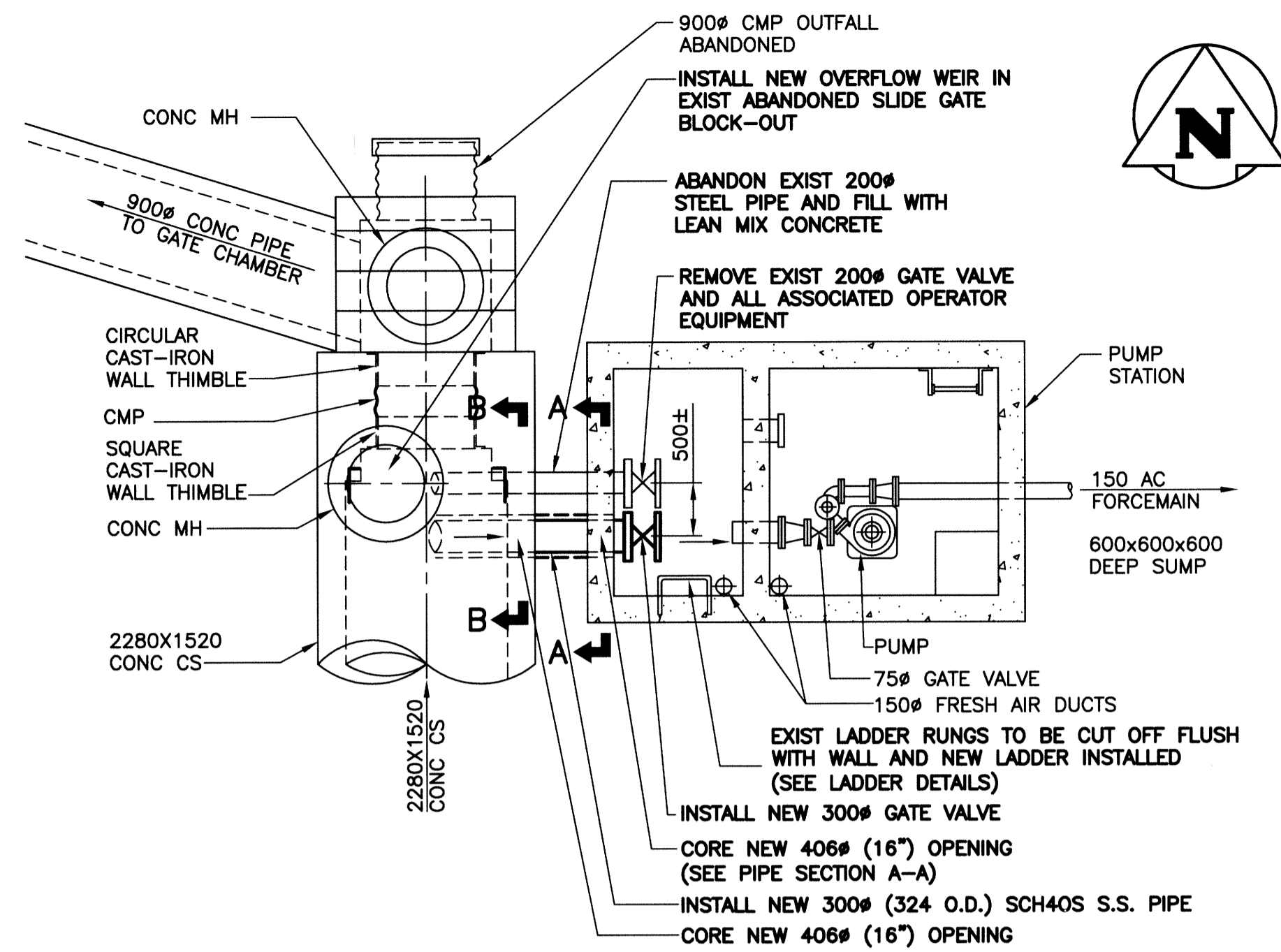
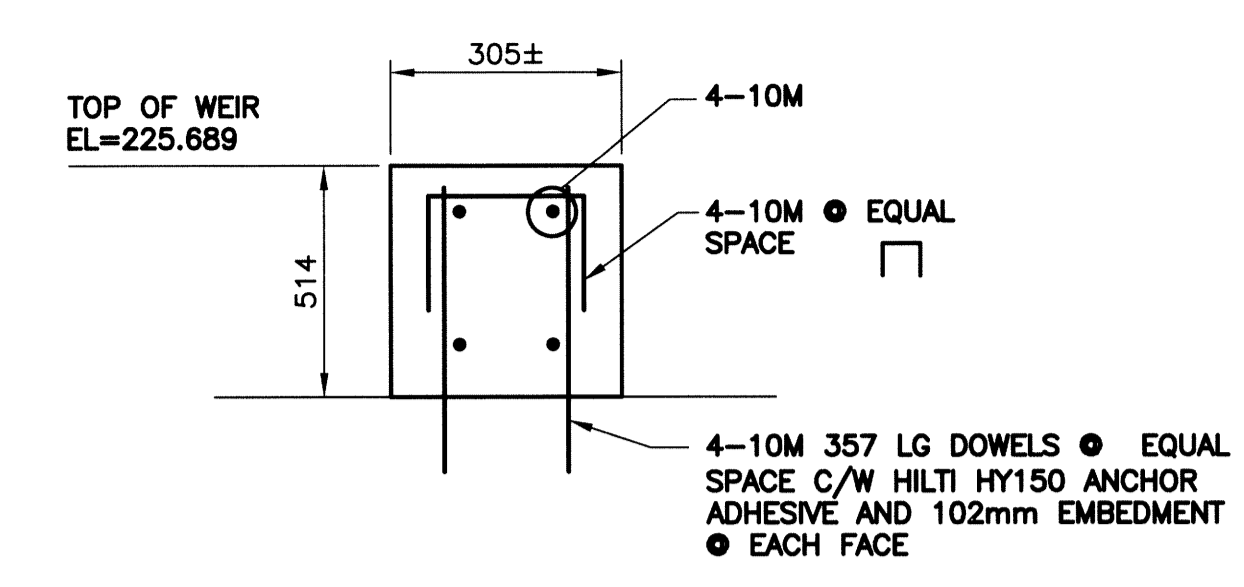


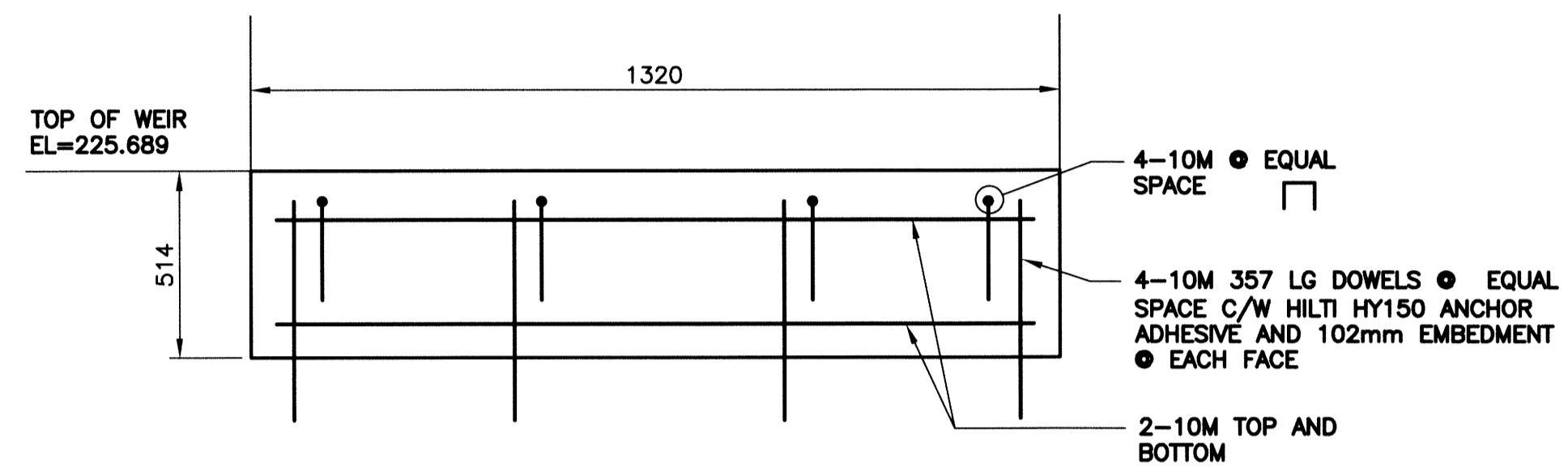
File Name: P:\Projects\2011\11-0107-33\Doc\Control\ToBeIssued\DWG\11-0107-33_LD-6947-Rev. 1.dwg - Tab: LD-6947 Plotted By: DDeroche 12/12/11 [Tue 8:50am]



PLAN

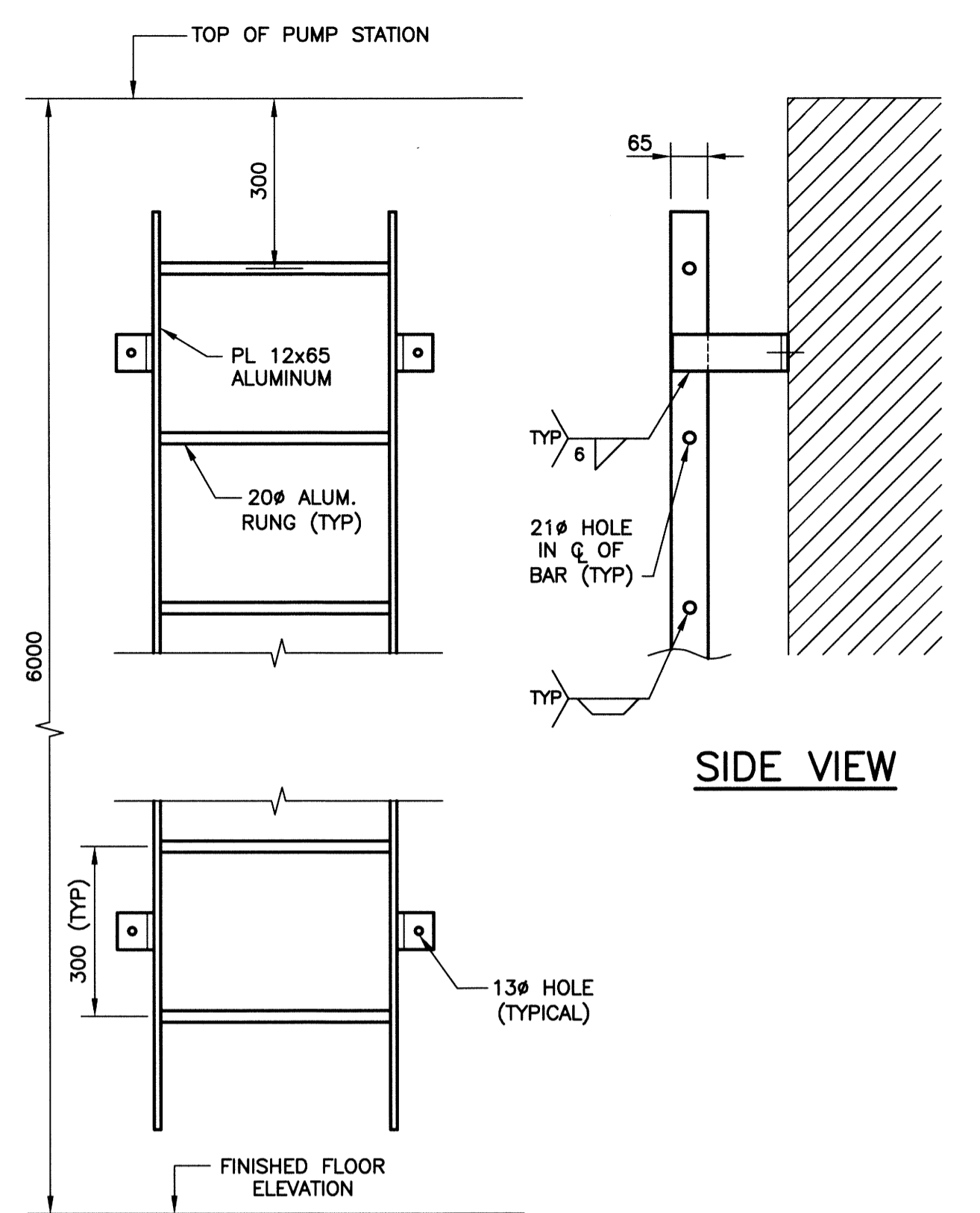


CROSS SECTION



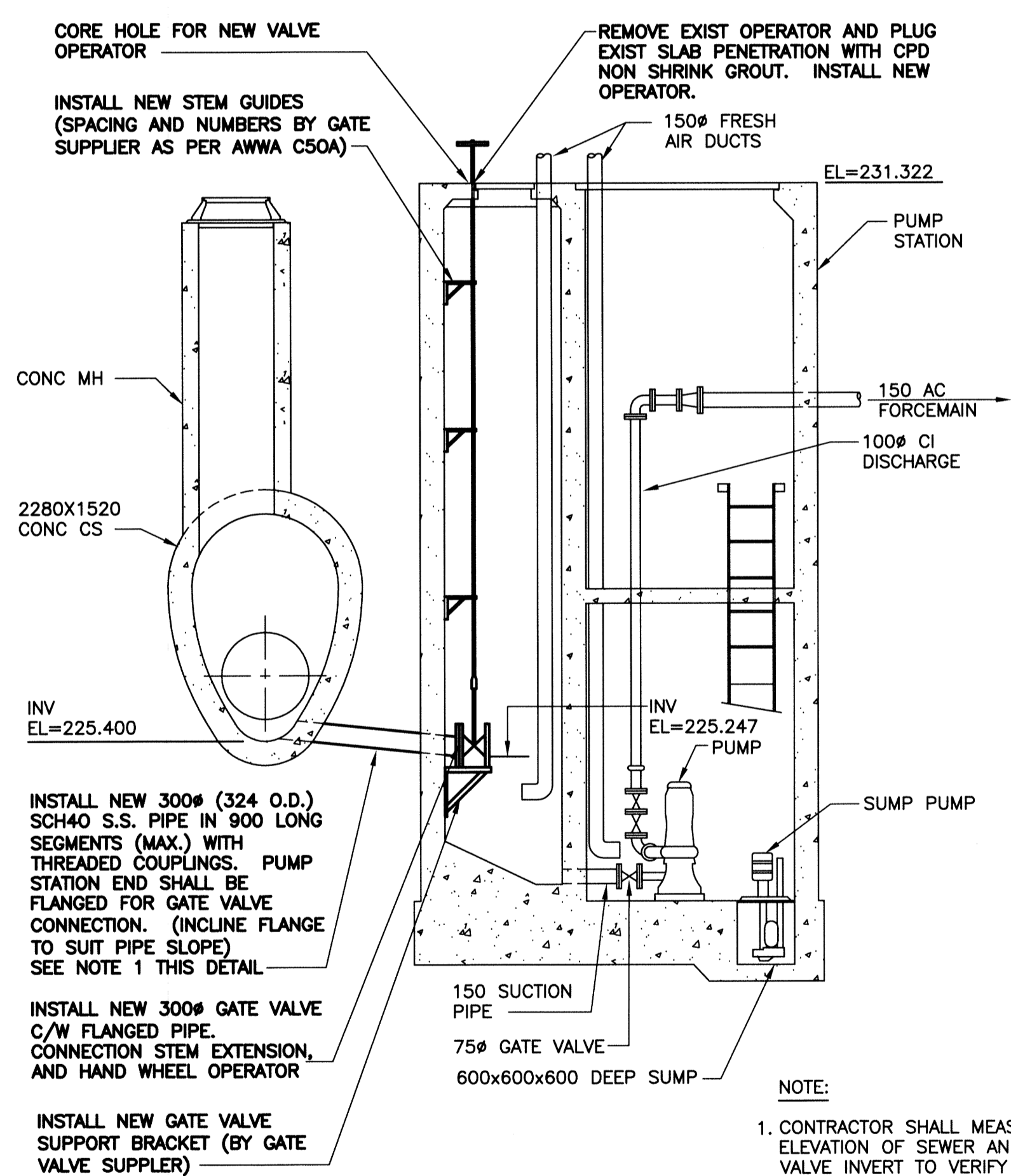
ELEVATION

OVERFLOW WEIR DETAILS
SCALE: NTS



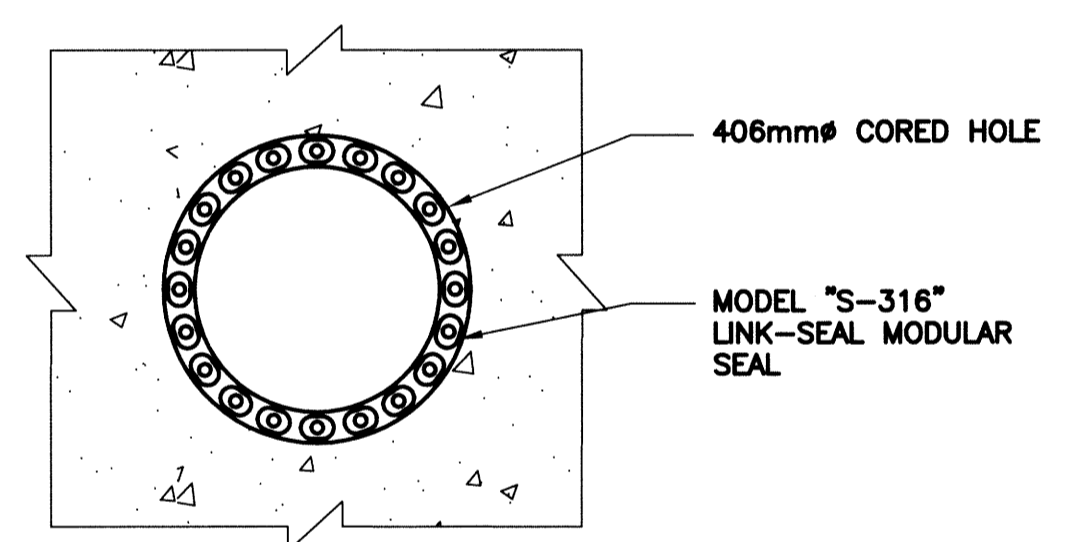
ELEVATION

SIDE VIEW

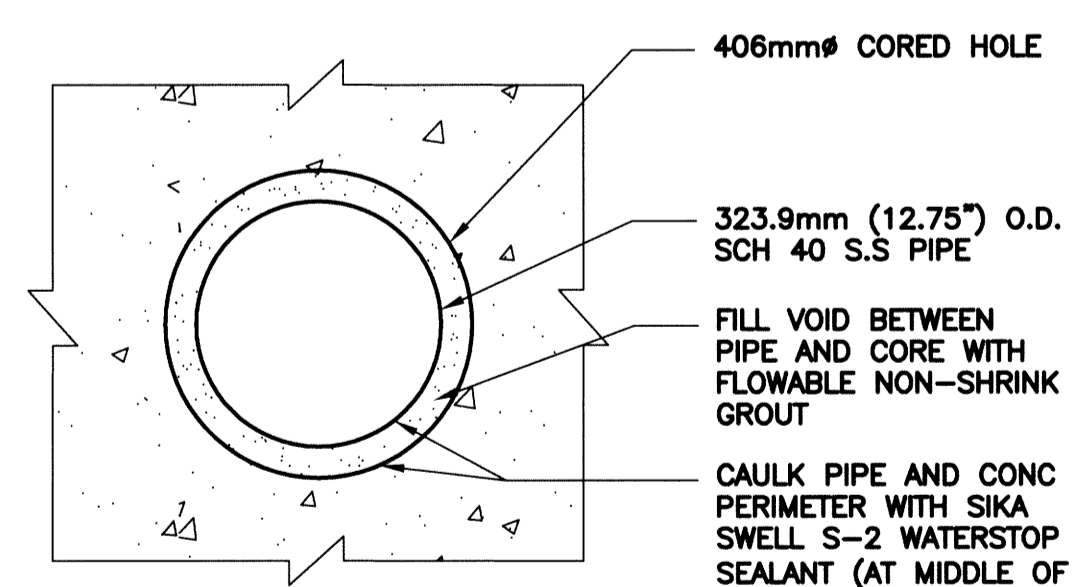


CROSS SECTION

PUMP STATION - PIPE REPLACEMENT DETAILS



PIPE SECTION A-A
SCALE: 1:50



PIPE SECTION B-B
SCALE: 1:50

NOTES:

- LADDER**
- ALL ALUMINUM CONFORMS TO THE ALUMINUM ASSOCIATION "SPECIFICATIONS FOR ALUMINUM STRUCTURES"-(LATEST EDITION). ALUMINUM FOR PLATES TYPE 5086.
 - ALL ALUMINUM IN CONTACT WITH CONCRETE OR CAST INTO CONCRETE SHALL BE COATED WITH A BITUMINOUS ISOLATION COATING MEETING ASTM D1187.
 - ALL NUTS, BOLTS AND ANCHORS CONFORM TO ASTM A276, TYPE 316 STAINLESS STEEL. STAINLESS STEEL ANCHORS SHALL BE ISOLATED FROM DIRECT CONTACT WITH ALUMINUM WITH NYLON HEADED SLEEVES. ADHESIVE SHALL BE HILTI HY150 OR APPROVED EQUIVALENT IN ACCORDANCE WITH B6 OF THE BID DOCUMENTS.
- GATE VALVE**
- GATE VALVE TO BE CAST IRON BODY WITH FLANGED ENDS, MEETING AWWA C509 AND C515 AND BE APPROVED BY THE ULC.
 - GATE VALVE SHALL HAVE A BRONZE TRIMMED CAST-IRON WEDGE, BRONZE STEM (NON-RISING), DOUBLE O-RING STEM SEALS AND A 50 MILLIMETER SQUARE OPENING NUT.
 - THE GATE VALVE SHALL BE SUPPLIED WITH A WALL SUPPORT BRACKET, STEM EXTENSION AND HAND OPERATOR WHEEL. DISTANCE FROM GATE INVERT TO TOP OF FLOOR IS 6075 mm (TO BE FIELD CONFIRMED BY CONTRACTOR.)
 - SHOP DRAWINGS SHALL BE SUBMITTED IN ACCORDANCE WITH THE BID DOCUMENTS.
 - GATE VALVES SHALL BE MANUFACTURED BY CLOW CANAD, CRANE, MUELLER CANADA OR AN APPROVED EQUIVALENT IN ACCORDANCE WITH B6 OF THE BID DOCUMENTS.

WARNING

- NOTIFY THE GAS COMPANY OF THE PROPOSED LOCATION OF EXCAVATION.
- TAKE PRECAUTION TO AVOID DAMAGE TO GAS COMPANY INSTALLATIONS.
- SEE PROVINCIAL REGULATION 210/72 FOR DETAILS.

METRIC

WHOLE NUMBERS INDICATE MILLIMETRES
DECIMALIZED NUMBERS INDICATE METRES



150 WM	WATERMAIN	150 WM	-----	HYDRO	-----				
300 LBS	LAND DRAINAGE SEWER	300 LBS	-----	M.T.S.	-----				
250 WWS	WASTE WATER SEWER	250 WWS	-----	PROPERTY LINE	-----				
MANHOLE			●	SURVEY BAR	-----				
CATCH BASIN			○	LIGHT STANDARD	-----				
CURB INLET			▽	HYDRO POLE	-----				
JUNCTIONS			+	GUY WIRE	-----				
CULVERT			▬	SIGN	-----				
GAS			□	BUSH LINE	-----				
EXISTING	LEGEND-PLAN	PROPOSED	-----	FENCE	-----				
			-----	ELEVATION	-----				

LOCATION APPROVED UNDERGROUND STRUCTURES

NOTE:
LOCATION OF UNDERGROUND STRUCTURES AS SHOWN ARE BASED ON THE BEST INFORMATION AVAILABLE BUT NO GUARANTEE IS GIVEN THAT THE GIVEN LOCATIONS ARE EXACT. CONFIRMATION OF EXISTENCE AND EXACT LOCATION OF ALL SERVICES MUST BE OBTAINED FROM THE INDIVIDUAL UTILITIES BEFORE PROCEEDING WITH CONSTRUCTION.

KGS BASE ELEV.	DWGS BASED ON C.S.R.S. NAD 83 SYSTEM, UTM GRID		
DESIGNED BY	KD	CHECKED BY	RBO
DRAWN BY	DMW	APPROVED BY	
1	ISSUED FOR ADDENDUM	12/12/11	RBO
0	ISSUED FOR TENDER	12/11/30	RBO
NO.	REVISIONS	DATE	BY

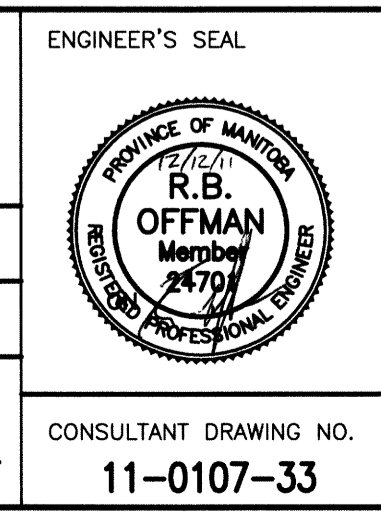
KGS GROUP CONSULTING ENGINEERS

DESIGNED BY: KD
CHECKED BY: RBO
DRAWN BY: DMW
APPROVED BY: [Signature]

HOR. SCALE: 1:250
VERTICAL: 1:50

RELEASED FOR CONSTRUCTION: [Date]

CONSULTANT DRAWING NO. 11-0107-33



THE CITY OF WINNIPEG WATER & WASTE DEPARTMENT

2012 OUTFALL RENEWAL/REHABILITATION PROGRAM

CHATAWAY BOULEVARD OUTFALL (AS-60) NEW WEIR AND LIFT STATION UPGRADES

SHEET 02 OF 09
CAD FILE DRAWING NUMBER 11-0107-33
CITY DRAWING NUMBER LD-6947