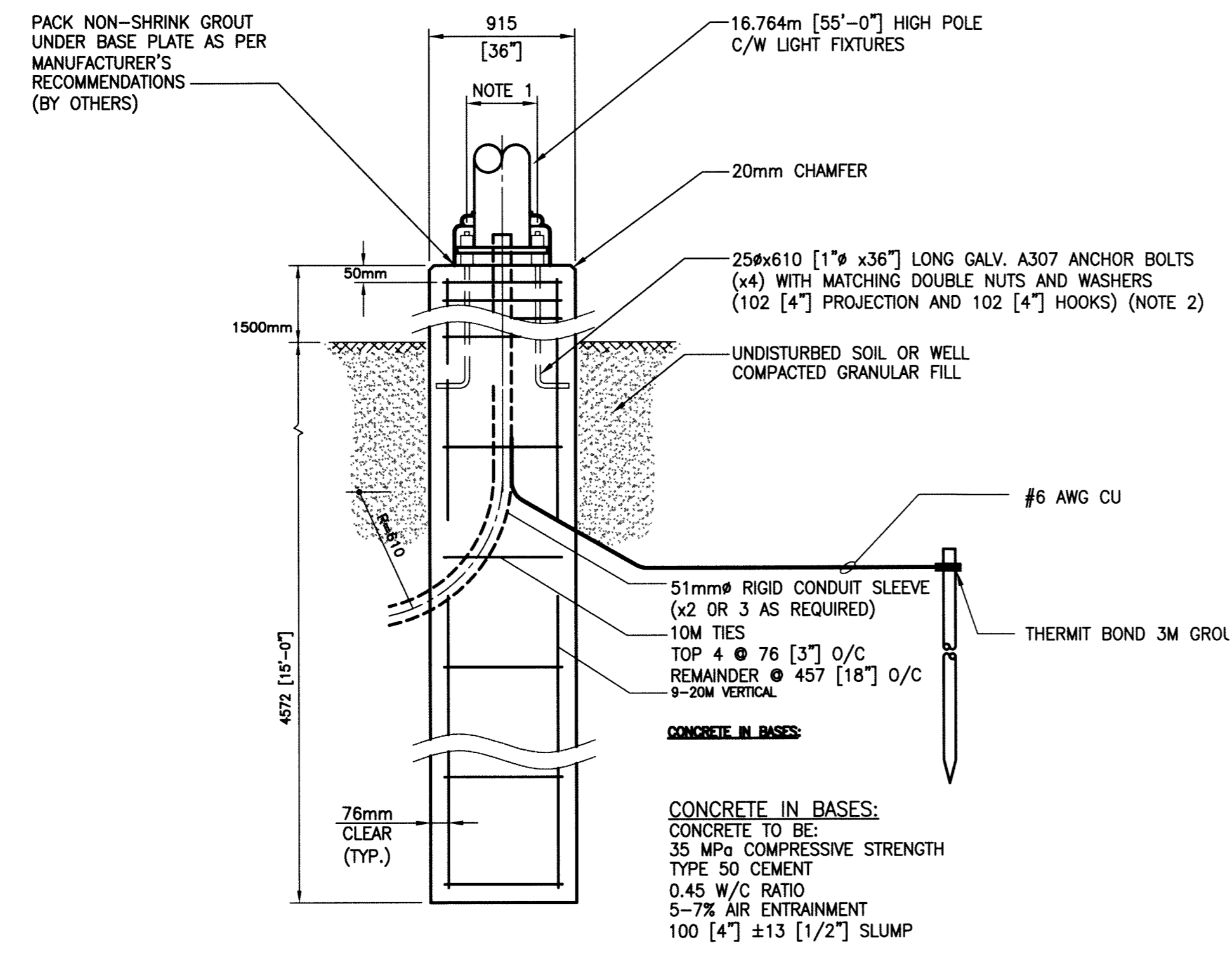
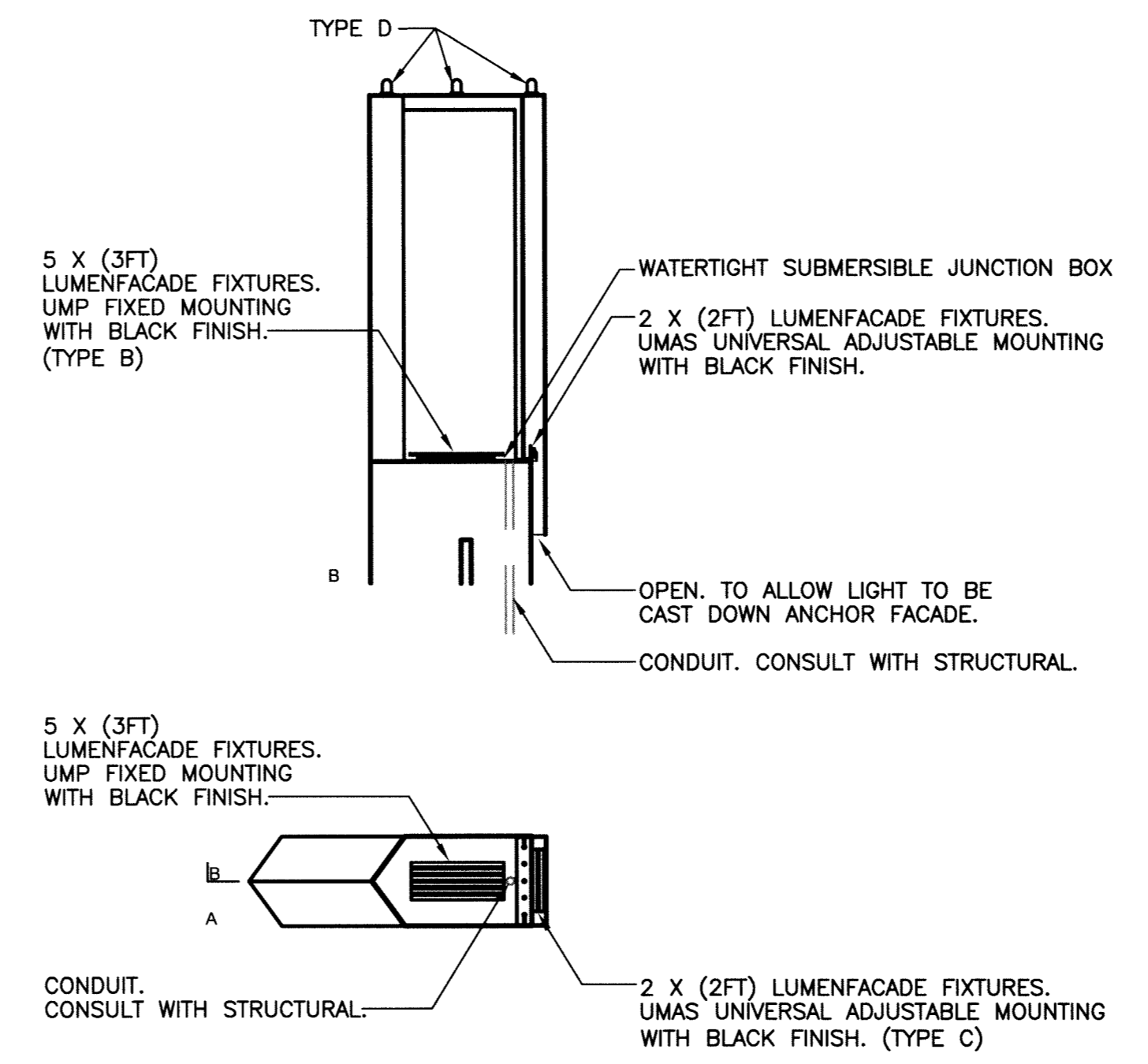


C  
E02

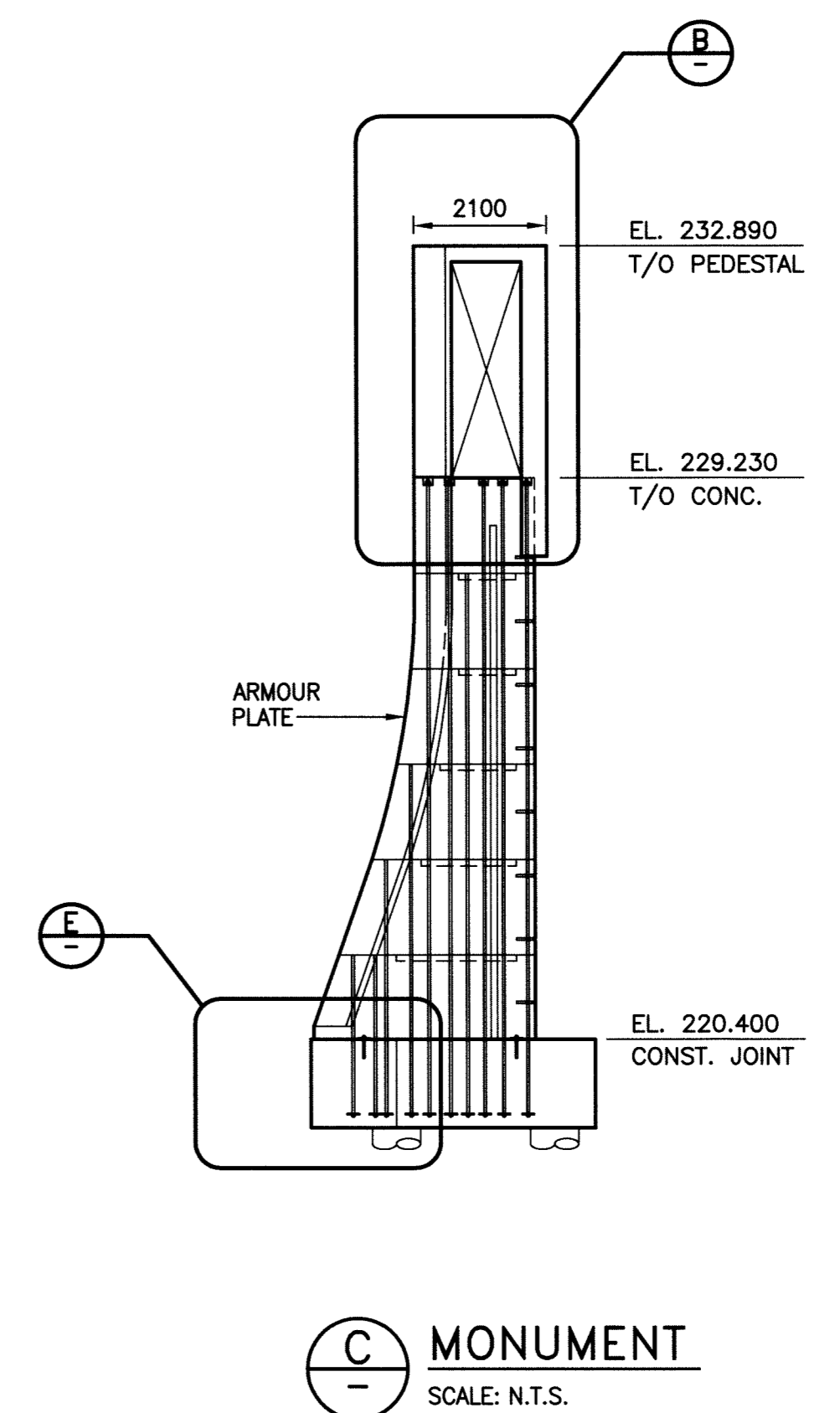


**A** CONCRETE FOOTING FOR  
BASE MOUNTED LIGHT FIXTURE  
SCALE: N.T.S.

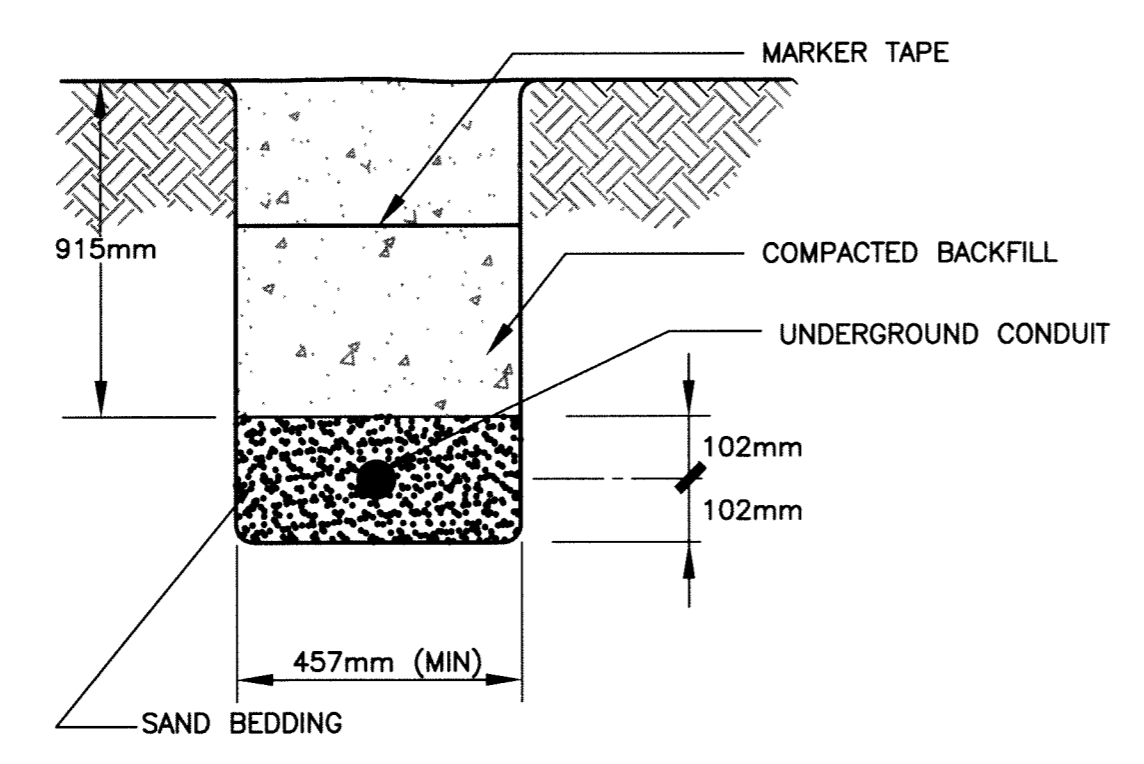
1. ANCHOR BOLT DIAMETER AND QUANTITY SHALL BE TO MEET MANUFACTURERS REQUIREMENTS.



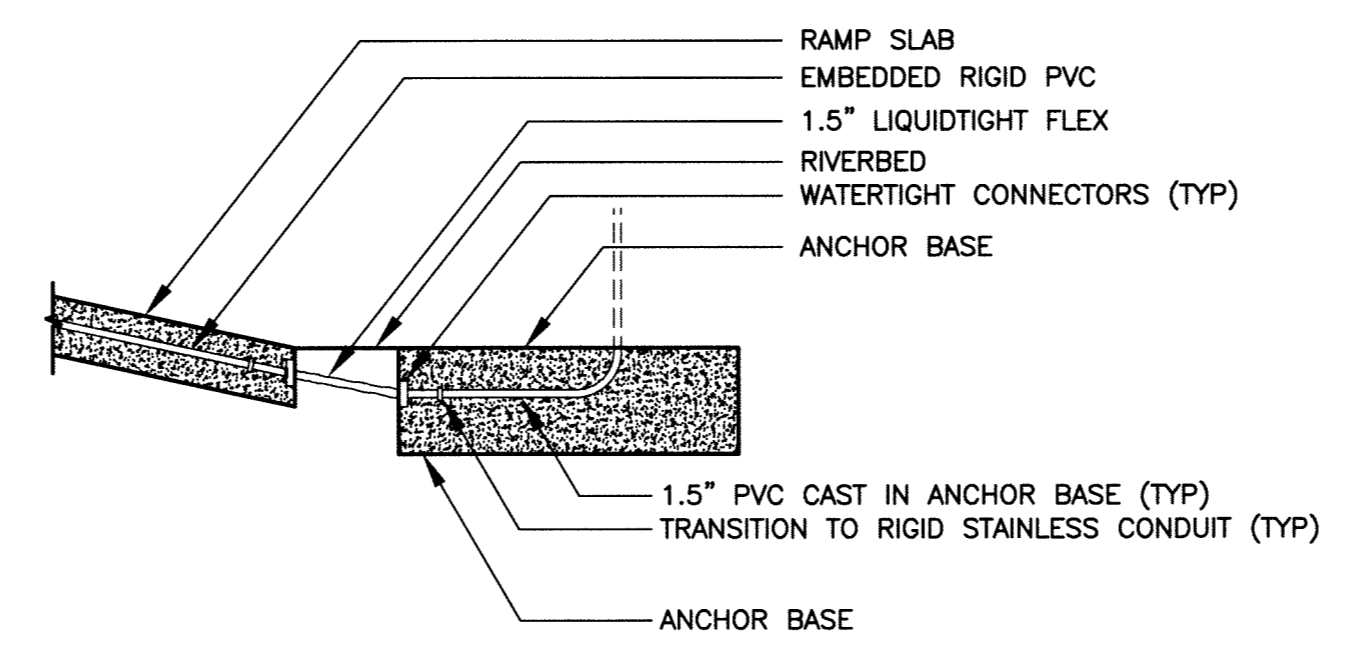
**B** MONUMENT LIGHTING  
SCALE: N.T.S.



**C** MONUMENT  
SCALE: N.T.S.



**D** TRENCH DETAIL  
SCALE: N.T.S.



**E** CONDUIT CONNECTION DETAIL  
SCALE: N.T.S.

P:\Projects\2012\12-0109-009\Doc\Control\Tobias\Issue\DWG\12-0109-009-E02-Rev 1.dwg - Tab: E02-NL Plotted By: DBarcche 01/07/2013 [Mon 8:45am]

**METRIC**  
WHOLE NUMBERS INDICATE MILLIMETRES  
DECIMALIZED NUMBERS INDICATE METRES

**APEGM**  
Certificate of Authorization  
KGS Group  
No. 245

<b>KGS GROUP</b> CONSULTING ENGINEERS TEL: 204-927-3444 FAX: 204-927-3443		<b>SCATLIFF+MILLER+MURRAY Inc.</b> 8 - 108 MARKET AVENUE WINNIPEG, MB, CANADA	
DESIGNED BY: AP	CHECKED BY: LL	SCALE: AS NOTED	RELEASED FOR CONSTRUCTION: DATE
DRAWN BY: BGO	APPROVED BY: AP	DATE: 12/12/04	DATE: 12/12/04
1 ISSUED FOR TENDER	13/01/04	AP	
0 ISSUED FOR TENDER	12/12/20	AP	
NO. REVISIONS	DATE	BY	DATE

ENGINEER'S SEAL  
  
 CONSULTANT DRAWING NO.  
**12-0109-009\_E02**

**THE CITY OF WINNIPEG**  
 PLANNING, PROPERTY &  
 DEVELOPMENT DEPARTMENT  
 PROJECT TITLE  
**ST. VITAL PARK BOAT LAUNCH  
 ELECTRICAL DETAILS**  
 SHEET OF  
 COMPUTER FILE NAME  
**12-0109-009\_E02**  
 CITY DRAWING NUMBER