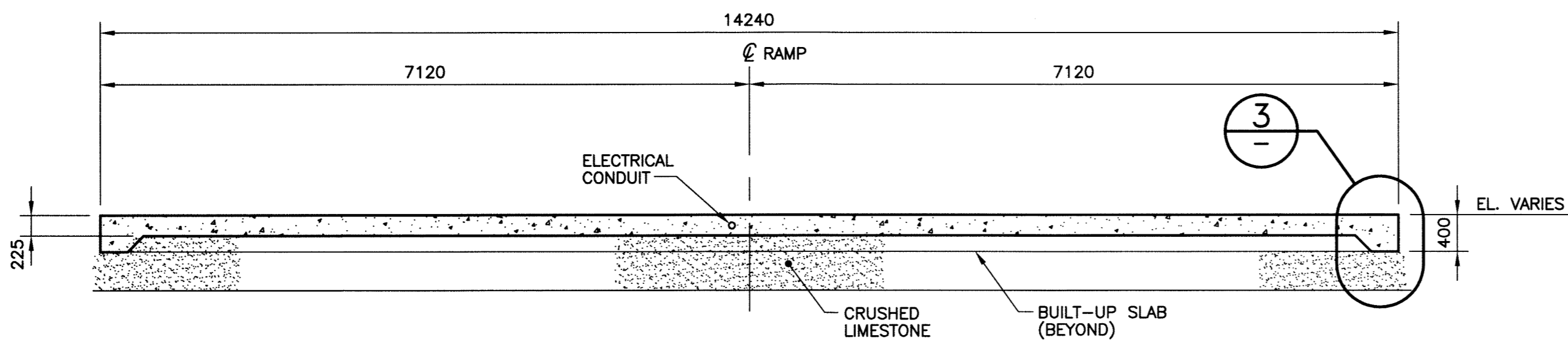
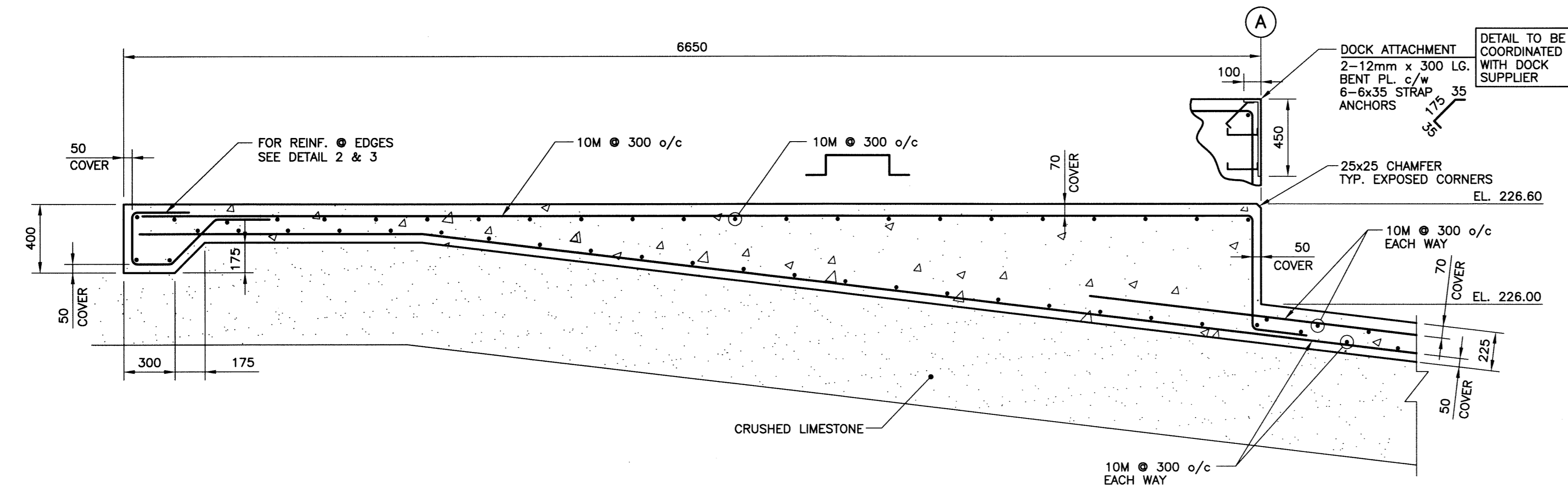


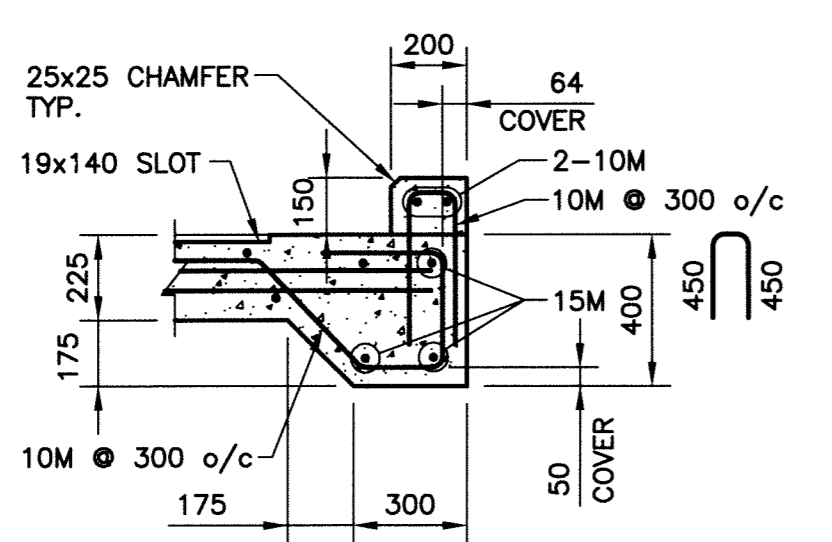
B CROSS SECTION
S01 SCALE: 1:50



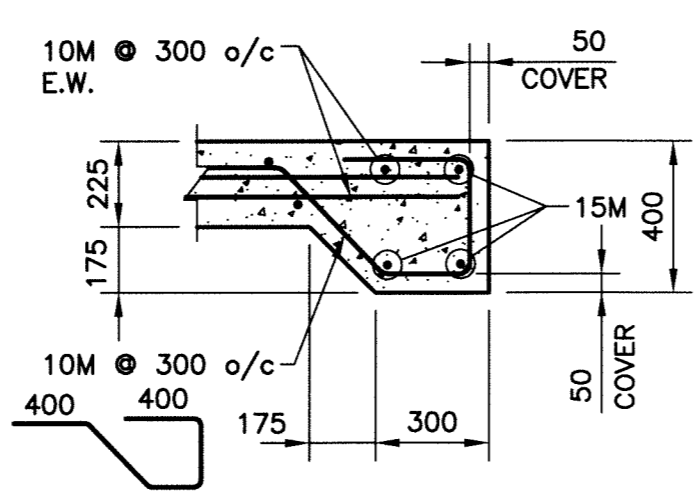
C CROSS SECTION
S01 SCALE: 1:50



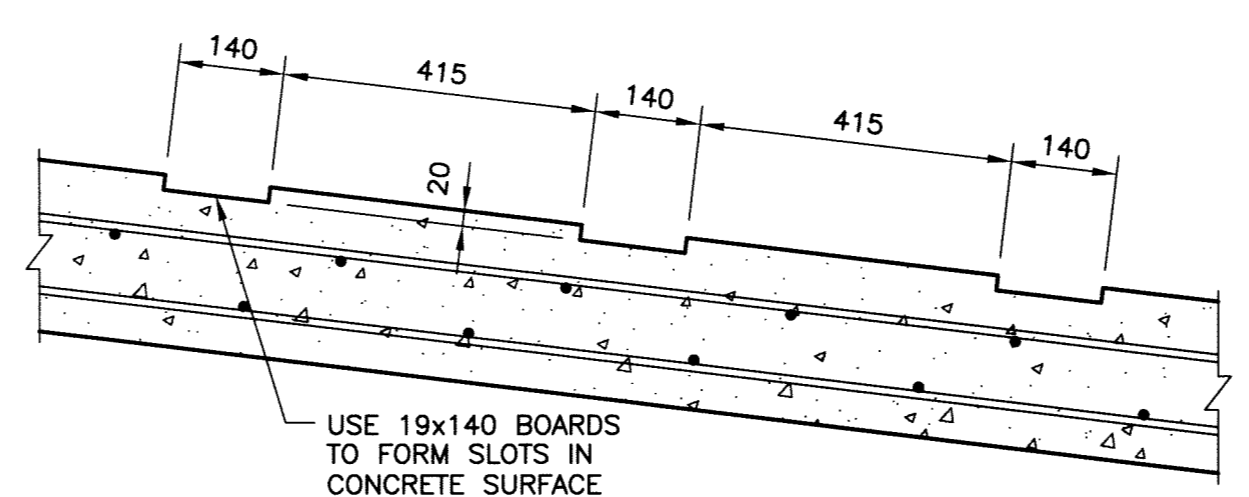
D CROSS SECTION
S01 SCALE: 1:20



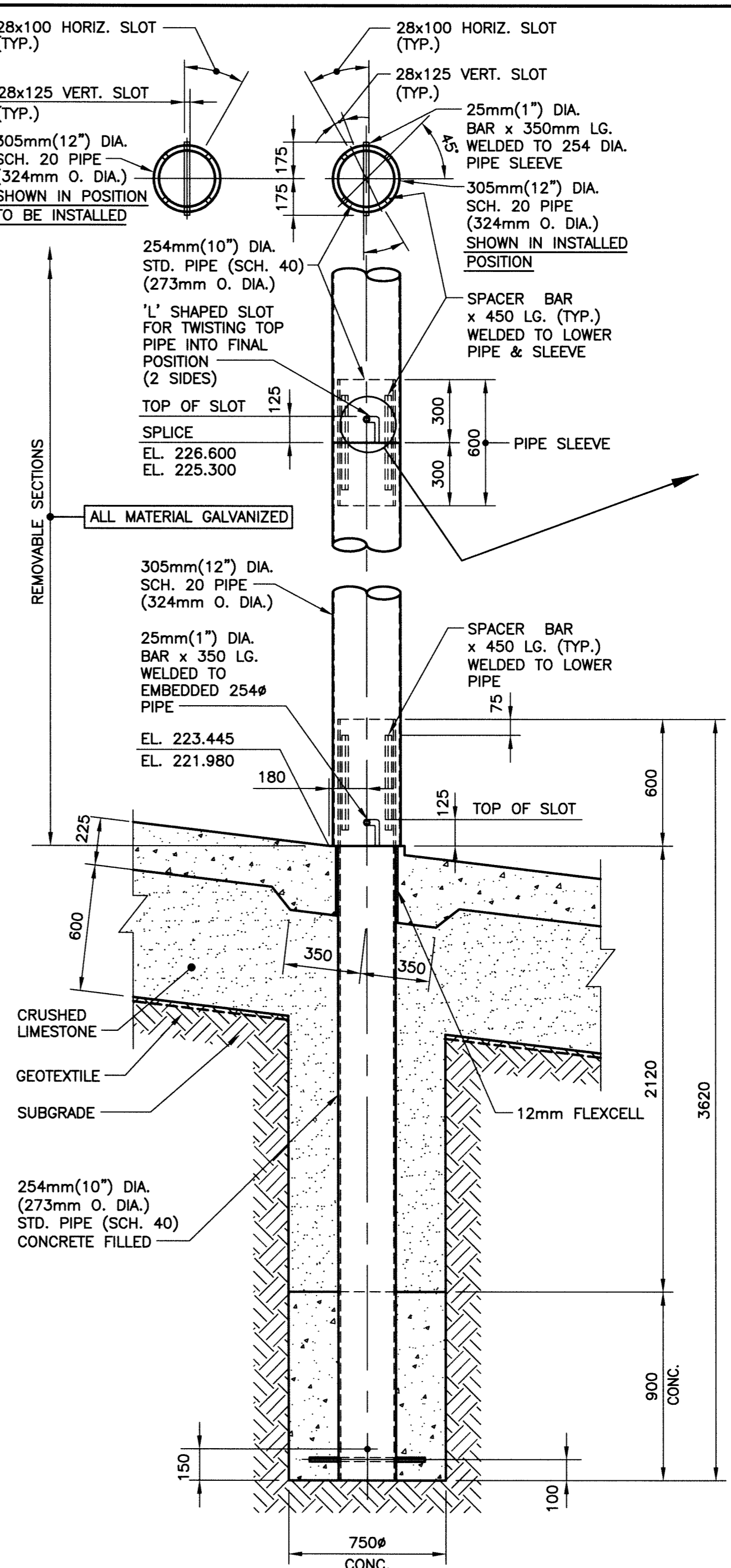
2 DETAIL
S01 SCALE: 1:20



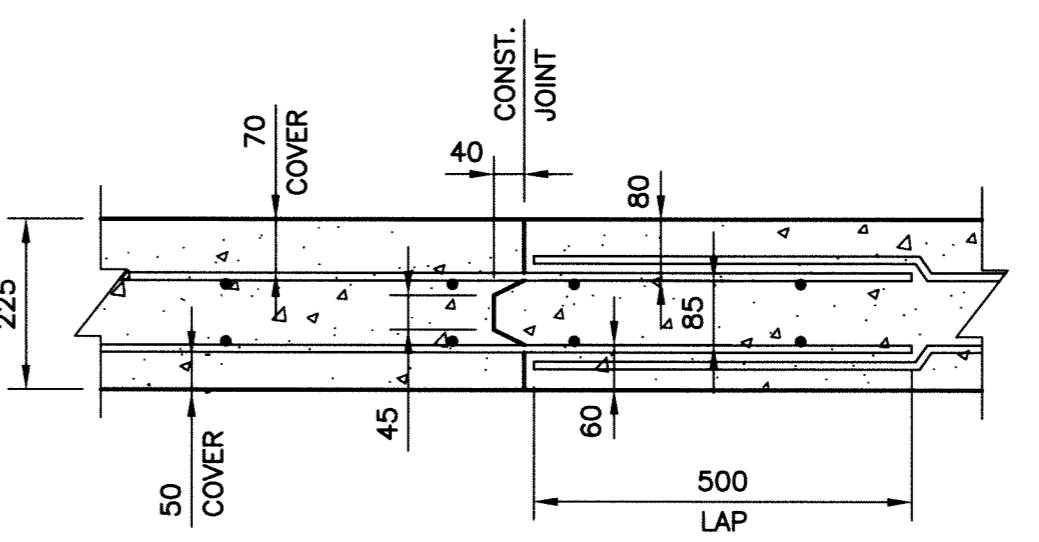
3 DETAIL
S01 SCALE: 1:20



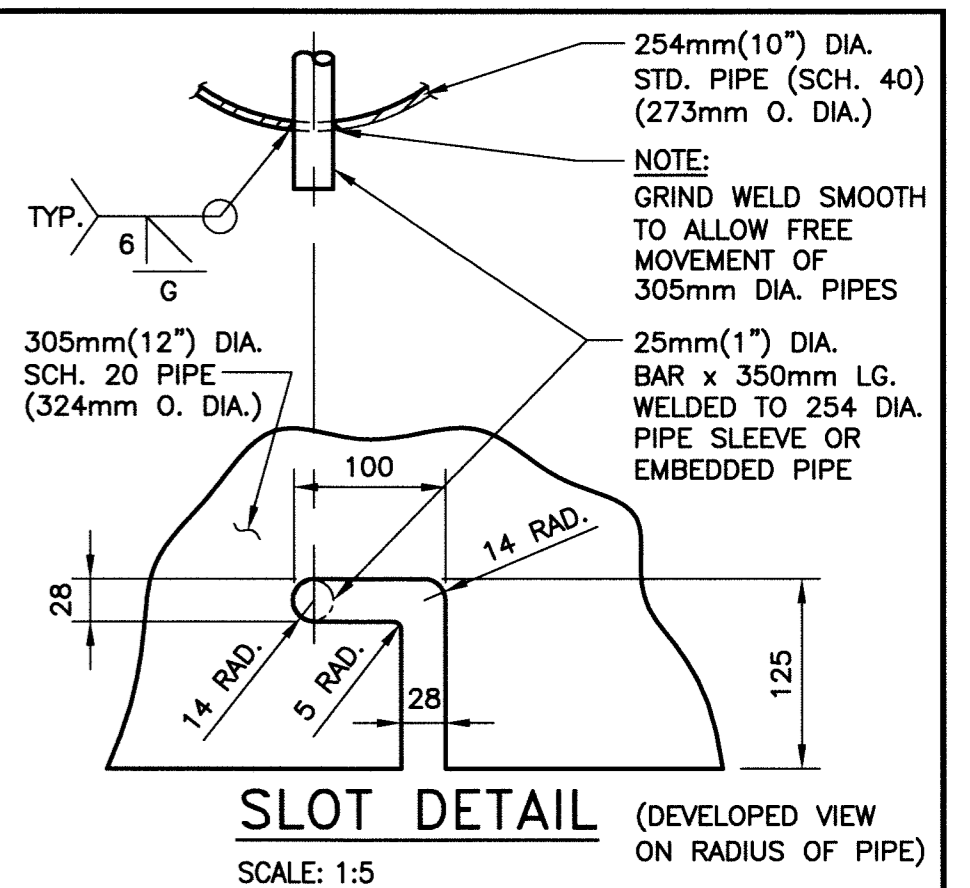
E SECTION (TYPICAL PATTERN FOR SLOTS)
S01 SCALE: 1:10



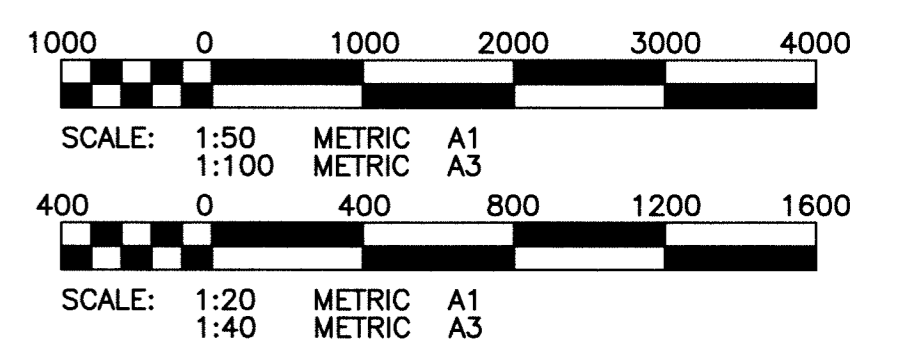
1 DOCK POST DETAIL
S01 SCALE: 1:20



F SECTION (CONST. JOINT)
S01 SCALE: 1:10



SLOT DETAIL (DEVELOPED VIEW ON RADIUS OF PIPE)
SCALE: 1:5



PRELIMINARY
NOT TO BE USED FOR CONSTRUCTION

METRIC
WHOLE NUMBERS INDICATE MILLIMETRES
DECIMALIZED NUMBERS INDICATE METRES

APEGM
Certificate of Authorization
KGS Group
No. 245

150 WM	WATERMAIN	150 WM	---	HYDRO	---	150 WM	WATERMAIN	150 WM
+	HYDRANT	+	---	M.T.S.	---	+	HYDRANT, VALVE	+
⊗	VALVE	⊗	---	CONCRETE	---	⊗	LAND DRAINAGE SEWER	⊗
300 LDS	LAND DRAINAGE SEWER	300 LDS	---	ASPHALT	---	300 LDS	WASTE WATER SEWER	300 LDS
250 WWS	WASTE WATER SEWER	250 WWS	---	SIDEWALK	---	250 WWS	Q PROFILE	250 WWS
○	MANHOLE	○	---	KGS TEST HOLE	---	□	NORTH/WEST GUTTER	□
□	CATCH BASIN	□	---	PROPERTY LINE	---	○	SOUTH/EAST GUTTER	○
▽	CURB INLET	▽	---	SURVEY BAR	---	◇, ○	N/W, S/E P'S	◇, ○
+	JUNCTIONS	+	---	DITCH	---	△	N/W, S/E TOP/CURB	△
---	CULVERT	---	231.334	ELEVATION	(32.231)	---	NORTH/WEST DITCH	---
---	GAS	---	---	---	---	---	SOUTH/EAST DITCH	---
---	EXISTING	---	---	---	---	---	---	---
---	LEGEND-PLAN	---	---	LEGEND-PLAN	---	---	LEGEND-PROFILE	---
---	PROPOSED	---	---	PROPOSED	---	---	---	---

LOCATION APPROVED UNDERGROUND STRUCTURES
SUPV. U/G STRUCTURES COMMITTEE DATE
NOTE:
LOCATION OF UNDERGROUND STRUCTURES AS SHOWN ARE BASED ON THE BEST INFORMATION AVAILABLE BUT NO GUARANTEE IS GIVEN THAT ALL EXISTING UTILITIES ARE SHOWN OR THAT THE GIVEN LOCATIONS ARE EXACT. CONFIRMATION OF EXISTENCE AND EXACT LOCATION OF ALL SERVICES MUST BE OBTAINED FROM THE INDIVIDUAL UTILITIES BEFORE PROCEEDING WITH CONSTRUCTION.

NO.	REVISIONS	DATE	BY
1	ISSUED FOR TENDER	13/01/04	RJL
0	ISSUED FOR TENDER	12/28/12	RJL

KGS GROUP CONSULTING ENGINEERS
DESIGNED BY: RJL
DRAWN BY: JF
SCALE: AS NOTED
DATE: 12/12/04

ENGINEER'S SEAL
R.J. LONG
REGISTERED PROFESSIONAL ENGINEER
CONSULTANT DRAWING NO. 12-0109-009-502

THE CITY OF WINNIPEG
PLANNING, PROPERTY & DEVELOPMENT DEPARTMENT
PROJECT TITLE: ST. VITAL PARK BOAT LAUNCH CROSS SECTIONS & DETAILS
SHEET OF
COMPUTER FILE NAME: 12-0109-009
CITY DRAWING NUMBER

P:\Projects\2012\12-0109-009\Doc\Control\Tobias\12-0109-009-Rev 1.dwg - Tab: S02 Plotted By: Dberche 01/03/2013 [Thu 2:29pm] COWLEND